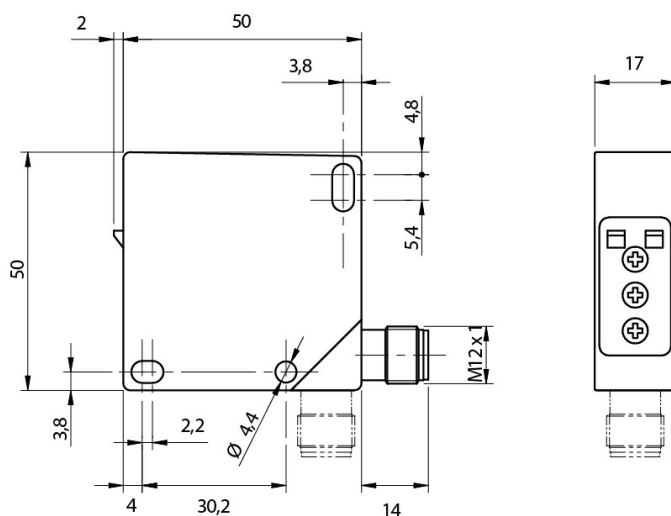


Q50IH/00-0E

cubic photosensors



Indicative image



Detection properties

Nominal sensing distance	20m
Sensitivity adjustment	Single-turn potentiometer

Application

Function Principle	Emitter
Optic position	Axial

Outputs

Output Function	NO+NC selectable
-----------------	------------------

Electrical data

Operating Voltage	10-30Vdc (ripple included)
No-Load supply current	≤ 50mA
Max ripple content	10%
Short-circuit protection	Yes
Reverse Polarity Protection	Yes

Emission	Infrared
----------	----------

Mechanical data

Dimensions	50X50mm
Weight	105g
Connections	M12 plug
Active Head Material	PMMA
Operating temperature	- 20°C...+ 60°C (UL omologation 0°C...60°C)
Material	PC/ABS
Diameter/Dimension	Cubic

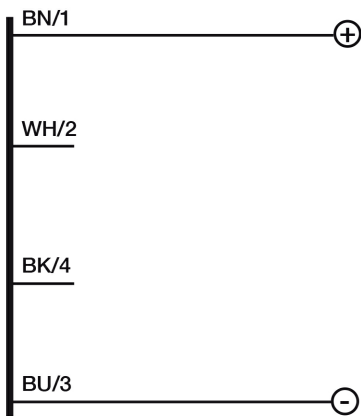
Test/Approvals

EMC compatibility	EN 60947-5-2
Shocks and vibrations	Vibration IEC 60068-2-6 / Shock IEC 60068-2-60
Degree of protection	IP67

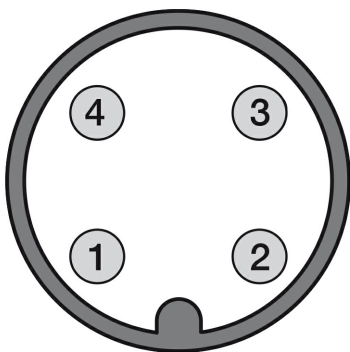
Accessories

Supplied Accessories	Mounting bracket included
----------------------	---------------------------

ELECTRICAL DIAGRAMS OF THE CONNECTIONS

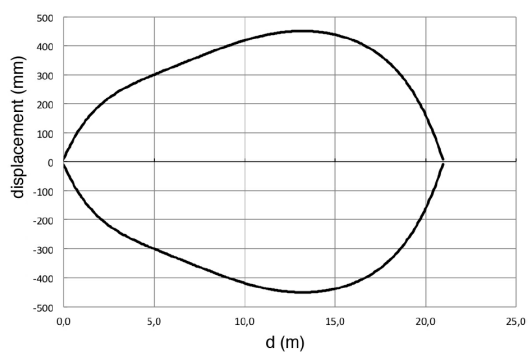


CONNECTOR



RESPONSE CURVES

Disassamento Parallelo



M.D. Micro Detectors S.p.A.

Strada S. Caterina, 235

41122 Modena (MO)

Tel. 059 420411

Fax 059 253973

E-mail info@microdetectors.com

date of printing

01/09/2021 15:41:09