



## Mechanical data

Dimensions	50X50mm
Weight	105g
Connections	M12 plug
Active Head Material	PMMA
Operating temperature	- 20°C...+ 60°C ( UL omologation 0°C...60°C)
Material	PC/ABS
Diameter/Dimension	Cubic

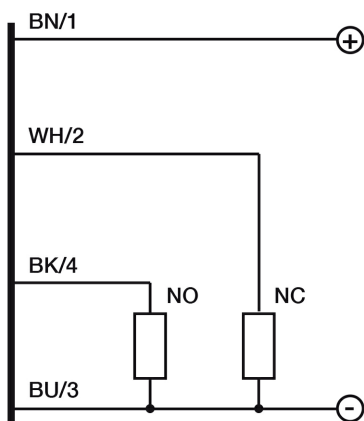
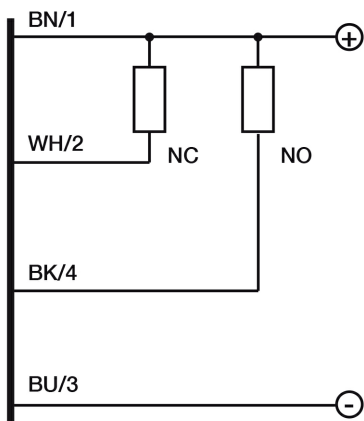
## Test/Approvals

EMC compatibility	EN 60947-5-2
Shocks and vibrations	Vibration IEC 60068-2-6 / Shock IEC 60068-2-58
Degree of protection	IP67

## Accessories

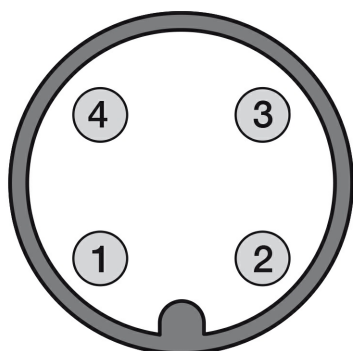
Supplied Accessories	Mounting bracket included
----------------------	---------------------------

# ELECTRICAL DIAGRAMS OF THE CONNECTIONS



# CONNECTOR

---

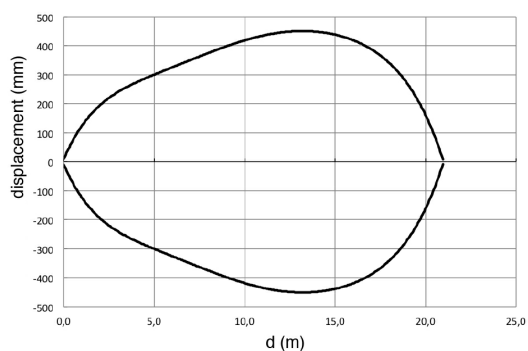


---

## RESPONSE CURVES

---

### Disassamento Parallelo



---

**M.D. Micro Detectors S.p.A.**

Strada S. Caterina, 235

41122 Modena (MO)

Tel. 059 420411

Fax 059 253973

E-mail [info@microdetectors.com](mailto:info@microdetectors.com)

**date of printing**

01/09/2021 13:48:59