

IL8/AP-5F

miniaturized cubic inductive

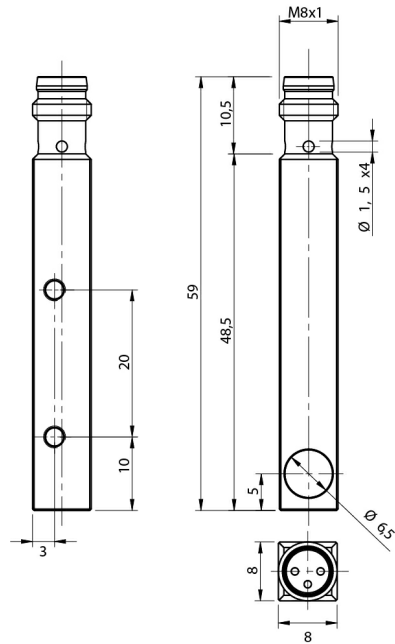


Micro Detectors

Italian Sensors Technology



Indicative image



Detection properties

Nominal sensing distance	2,5mm
Operanting distance	0...2,02mm
Standard target	8x8mm FE360
Correction Factor	copper: 0,15 / aluminium: 0,12 / brass: 0,25 / stainless steel: 0,61
Thermal drift of Sr	< 10%
Repeat Accuracy	5% (UB 24V Ta=23°C ±5°C)
Hysteresis	1 ... 20%

Outputs

Output type	PNP
Output Function	NO
Switching frequency	≤ 5kHz

Electrical data

Operating Voltage	10...30Vdc
No-Load supply current	≤ 10mA
Load current	≤ 200mA
Leakage current	≤ 10μA
Output voltage drop	≤ 1,5V @200mA
Max ripple content	≤10%
LED indicators	Blue LED output state
Time delay before availability	≤ 50ms
Short-circuit protection	Yes
Reverse Polarity Protection	Yes
Protection against inductive loads	Yes

Mechanical data

Mounting	Shielded
Dimensions	8 x 8 / L = 59mm / active head in the top
Weight	15g
Housing Material	AISI 303 Stainless Steel
Connections	M8 Plug
Active Head Material	PBT
Operating temperature	-25°C...+70°C
Diameter/Dimension	8x8x59mm

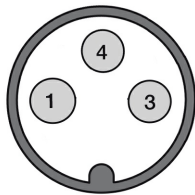
Test/Approvals

Approvals	CE cULus
EMC compatibility	IEC 60947-5-2
Shocks and vibrations	Vibration IEC 60068-2-6 / Shock IEC 60068-2-27
Degree of protection	IP67

ELECTRICAL DIAGRAMS OF THE CONNECTIONS

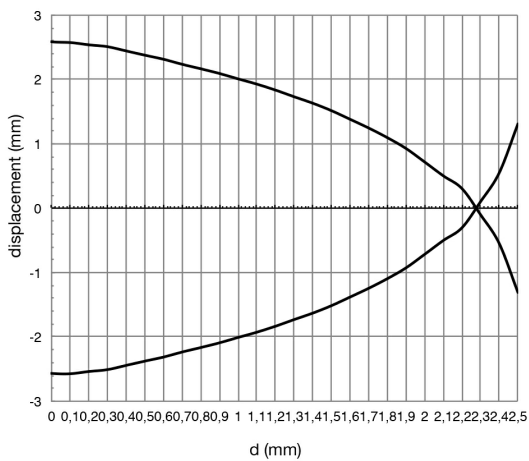


CONNECTOR



RESPONSE CURVES

Disassamento Parallelo



Strada S.Caterina, 235
41122 Modena (MO)
Tel. 059 420411
Fax 059 253973
E-mail info@microdetectors.com

31/08/2021 18:10:23