

# FLID/LP-0C

synchronized light curtains for  
harsh environments

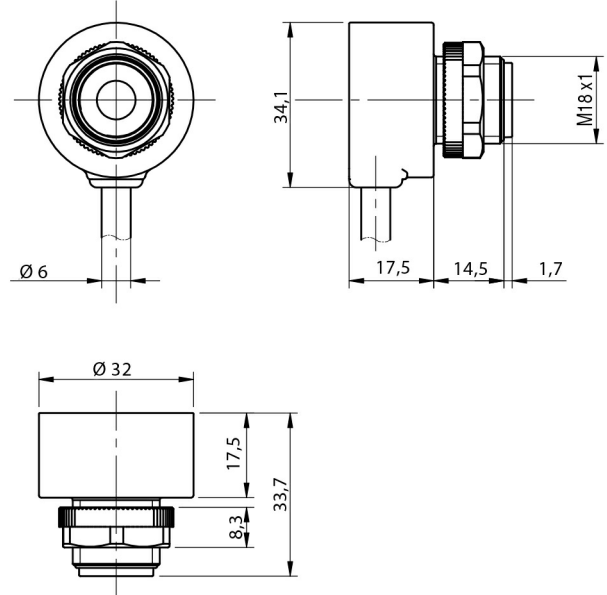


Micro Detectors

Italian Sensors Technology



Indicative image



## Detection properties

Nominal sensing distance 30 (3 m for car washes)

Hysteresis +/- 1%

## Outputs

Output type NPN or PNP or Push Pull/Lon or Don

Response time <12 ms

## Electrical data

Operating Voltage 25 Vdc +/- 20%

LED indicators Green: RUN; Red: problem with output, Yellow: output

Short-circuit protection Yes

Reverse Polarity Protection Yes

Impulsive Overvoltage Protection Yes

Digital Resolution 12 bit

## Mechanical data

Weight 570 g (the pair)

Housing Material PBT + PC

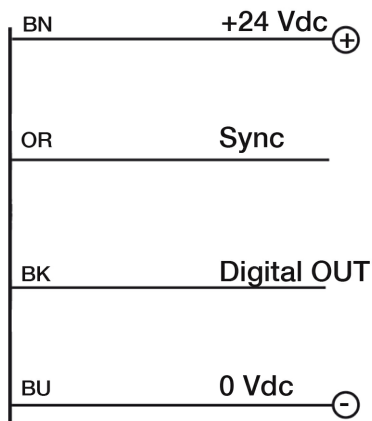
Connections cable PVC diam. 6.2 mm

Active Head Material	PC
Tightening torque	2 Nm
Operating temperature	-20..70°C (without freeze)
Storage temperature	-30..90°C (without freeze)

## Test/Approvals

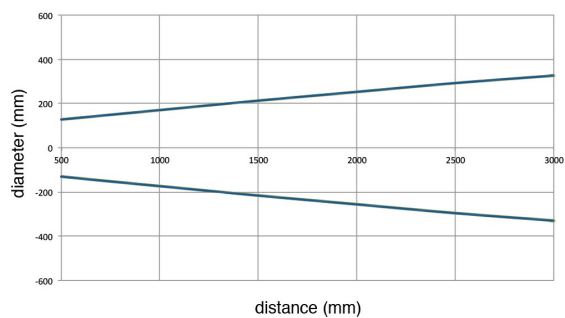
Approvals	CE
EMC compatibility	in coformity with the EMC Directive according to EN 60947-5-2
Degree of protection	IP67 (front-head IP69K)

# ELECTRICAL DIAGRAMS OF THE CONNECTIONS



# RESPONSE CURVES

## Diametro



**M.D.Micro Detectors S.p.A.**

Strada S.Caterina, 235

41122 Modena (MO)

Tel. 059 420411

Fax 059 253973

E-mail [info@microdetectors.com](mailto:info@microdetectors.com)

**date of printing**

31/08/2021 13:22:41