

DME/00-1H

cylindrical photosensors

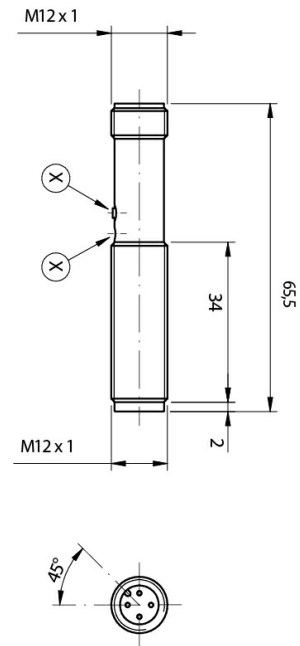


Micro Detectors

Italian Sensors Technology



Indicative image



Detection properties

Nominal sensing distance	4.000mm
Thermal drift of Sr	≤10% Sr
Repeat Accuracy	5%

Application

Function Principle	Emitter
Emitter/Receiver	Emitter
Optic position	Axial

Electrical data

Operating Voltage	10...30Vdc
No-Load supply current	≤30mA
Load current	≤100mA

Leakage current	≤10μA
Output voltage drop	≤2V IL =100 mA
Max ripple content	≤ 10%
LED indicators	Yellow
Time delay before availability	≤150ms
Short-circuit protection	Yes
Reverse Polarity Protection	Yes
Emission	Infrared (880nm)
Interference to external light	3.000lux (incandescent lamp), 10.000lux (sunlight)
Impulsive Overvoltage Protection	Yes

Mechanical data

Dimensions	M12x1/L=65,5mm
Weight	28g
Housing Material	Nickel plated brass
Connections	M12 plug cable exit
Active Head Material	PMMA
Operating temperature	- 25°C...+ 70° C
Diameter/Dimension	M12

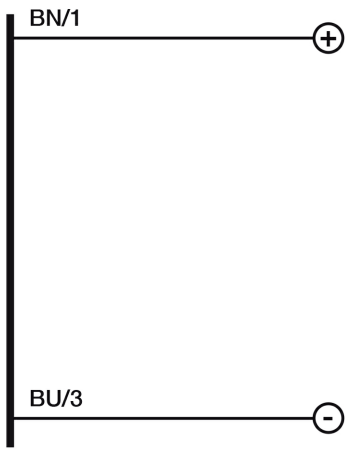
Test/Approvals

Approvals	CE, Ex, C UL US
EMC compatibility	EN 60947-5-2
Shocks and vibrations	Vibration IEC 60068-2-6 / Shock IEC 60068-2-27
Degree of protection	IP67

Accessories

Supplied Accessories	Metallic nut (x2)
----------------------	-------------------

ELECTRICAL DIAGRAMS OF THE CONNECTIONS

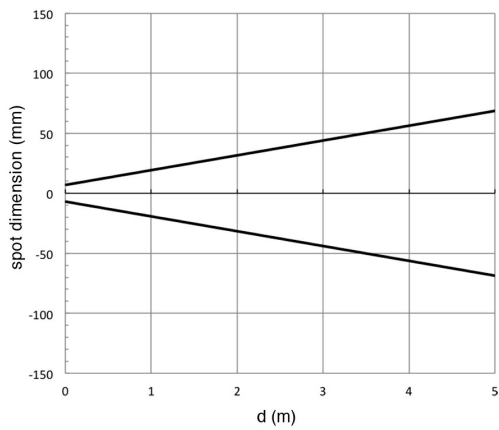


CONNECTOR

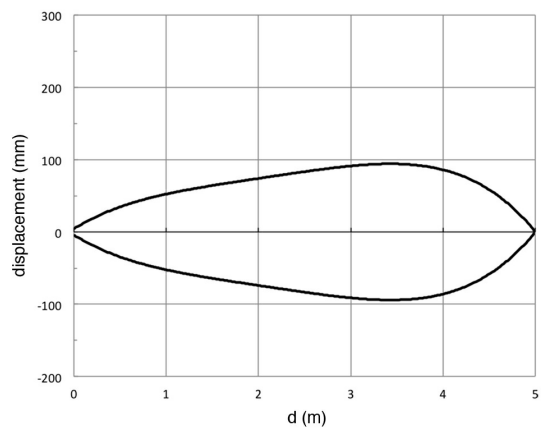


RESPONSE CURVES

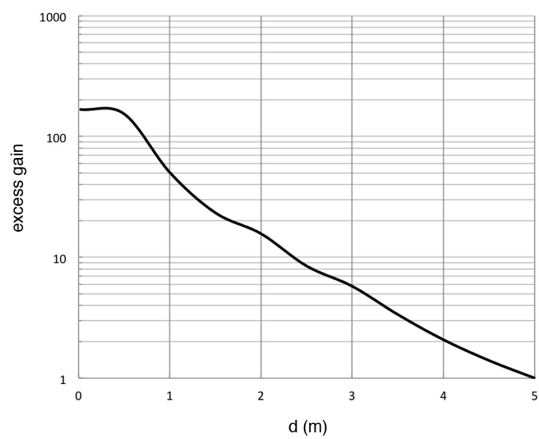
Dimensione Spot



Disassamento Parallelo



Eccesso di Guadagno



M.D. Micro Detectors S.p.A.

Strada S. Caterina, 235

41122 Modena (MO)

Tel. 059 420411

Fax 059 253973

E-mail info@microdetectors.com

date of printing

29/08/2021 17:38:41