

# C30M/BP-2A

capacitive

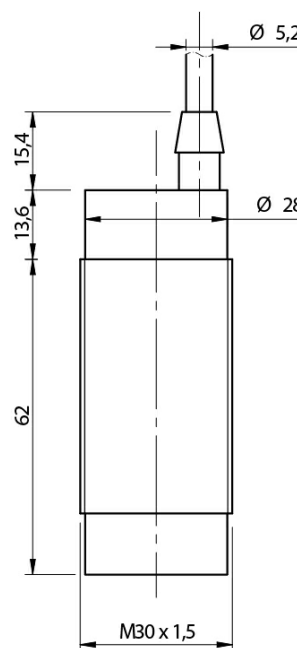


Micro Detectors

Italian Sensors Technology



Indicative image



## Detection properties

Nominal sensing distance	4...25mm
Thermal drift of Sr	< 20%
Repeat Accuracy	5%
Sensitivity adjustment	Yes
Hysteresis	≤ 20%

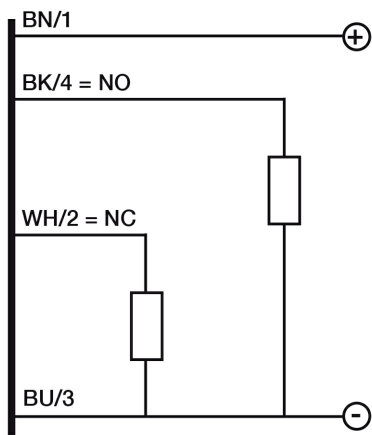
## Outputs

Output type	PNP
Output Function	NO + NC
Switching frequency	30Hz

## Electrical data

Operating Voltage	10...40Vdc
-------------------	------------





---

**M.D.Micro Detectors S.p.A.**

Strada S.Caterina, 235

41122 Modena (MO)

Tel. 059 420411

Fax 059 253973

E-mail [info@microdetectors.com](mailto:info@microdetectors.com)

**date of printing**

29/08/2021 12:33:42