

BV6/00-0C

cubic photosensors

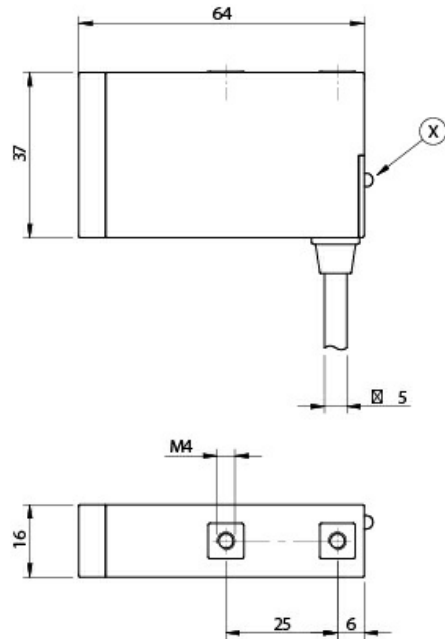


Micro Detectors

Italian Sensors Technology



Indicative image



Detection properties

Nominal sensing distance	1600mm
Repeat Accuracy	≤ 5%
Sensitivity adjustment	1 turn trimmer

Application

Function Principle	Diffuse reflection (medium distance, ≤600mm)
Optic position	Axial

Outputs

Output type	TRIAC
Output Function	NO, NC selectable
Switching frequency	25Hz

Electrical data

Operating Voltage	20...253Vac/50-60Hz
No-Load supply current	1,5W
Load current	5mA/300M arms
Leakage current	1,5m ARMS max (supply V=253Vac)
Output voltage drop	2,5V max
LED indicators	Red (output energized)
Time delay before availability	200ms
Short-circuit protection	Yes
Reverse Polarity Protection	Yes
Emission	Infrared (880nm)
Interference to external light	3000lux Incandescent Lamp, 10000lux

Mechanical data

Dimensions	16x37x64
Weight	185g
Connections	2m PVC cable - 90° Output
Active Head Material	PMMA
Operating temperature	- 25°C...+ 70°C (without freeze)
Material	ABS
Diameter/Dimension	Cubic

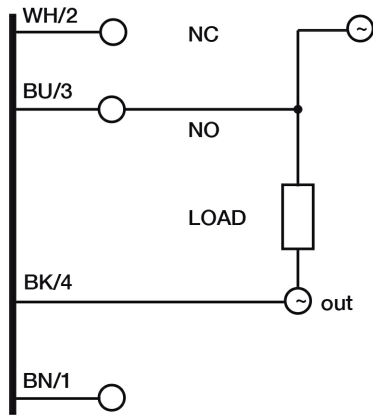
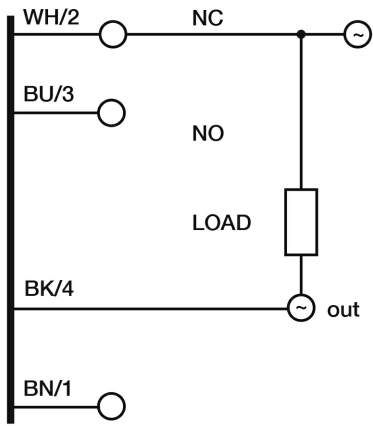
Test/Approvals

Approvals	CE
EMC compatibility	EN 60947-5-2
Shocks and vibrations	Vibration IEC 60068-2-6 / Shock IEC 60068-2-46
Degree of protection	IP65

Accessories

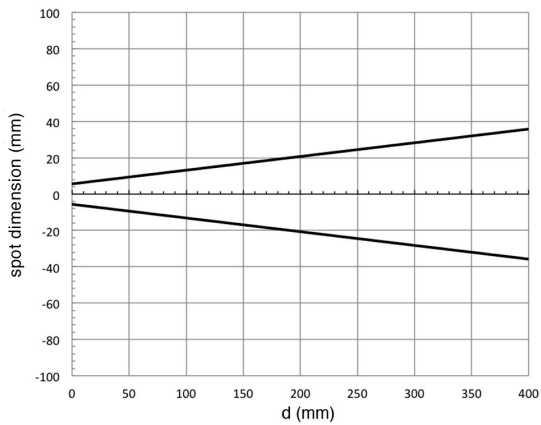
Supplied Accessories	ST01 mounting brakets and screws
----------------------	----------------------------------

ELECTRICAL DIAGRAMS OF THE CONNECTIONS

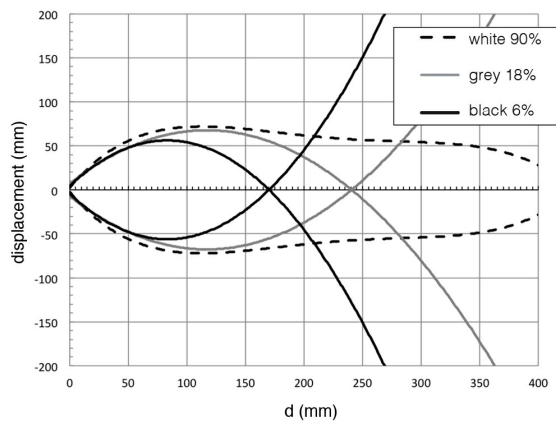


RESPONSE CURVES

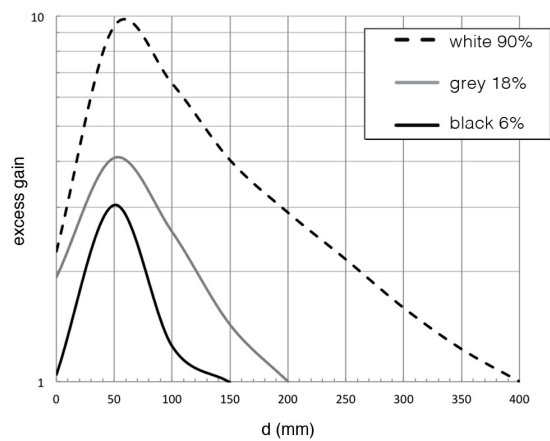
Dimensione Spot



Disassamento Parallelo



Eccesso di Guadagno



M.D. Micro Detectors S.p.A.

Strada S. Caterina, 235

41122 Modena (MO)

Tel. 059 420411

Fax 059 253973

E-mail info@microdetectors.com

date of printing

28/08/2021 16:46:46