

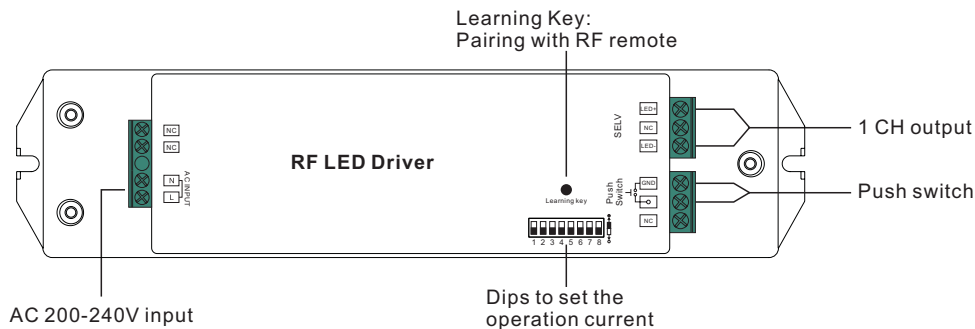
50W RF LED Driver(Constant current)

09.009CC.04006



Important: Read All Instructions Prior to Installation

Function introduction



Product Data

Output	Selectable Current	250mA	300mA	350mA	400mA	450mA	500mA	600mA	700mA
	DC Voltage Range	8-48V	8-48V	8-48V	8-48V	8-48V	8-48V	8-48V	8-48V
	Selectable Current	800mA	900mA	1000mA	1100mA	1200mA	1300mA	1400mA	1500mA
	DC Voltage Range	8-48V	8-48V	8-48V	8-46V	8-41V	8-38V	8-35V	8-33V
Rated Power		50W							
Input	Voltage Range	200-240V AC							
	Frequency	50/60Hz							
	Power Factor (Typ.)	> 0.9							
	Efficiency (Typ.)	87% @ 230VAC							
	Input Current (Typ.)	0.27A @ 230VAC							
	Inrush Current (Typ.)	COLD START Max. 2A at 230VAC							
Protection	Short Circuit	Yes, auto recovery after fault removed							
	Over Voltage	Yes, auto recovery after fault removed							
	Over Temperature	Yes, auto recovery after fault removed							
Environment	Working Temp.	-20°C ~ +45°C							
	Max. Case Temp.	85°C							
	Working Humidity	10% ~ 95% RH non-condensing							
	Storage Temp. & Humidity	-40°C ~ +80°C, 10% ~ 95% RH							

Safety&EMC	Safety Standards	ENEC EN61347-1, EN61347-2-13 approved
	Withstand Voltage	I/P-O/P: 3.75KVAC
	EMC Emission	EN55015, EN61000-3-2, EN61000-3-3
	EMC Immunity	EN61547, EN61000-4-2,3,4,5,6,8,11, surge immunity Line-Line 1KV
Others	MTBF	193.6K hrs min. @ 230VAC at full load and 25°C ambient temperature
	Dimension	210*50*32mm (L*W*H)

Dips to set the operation current



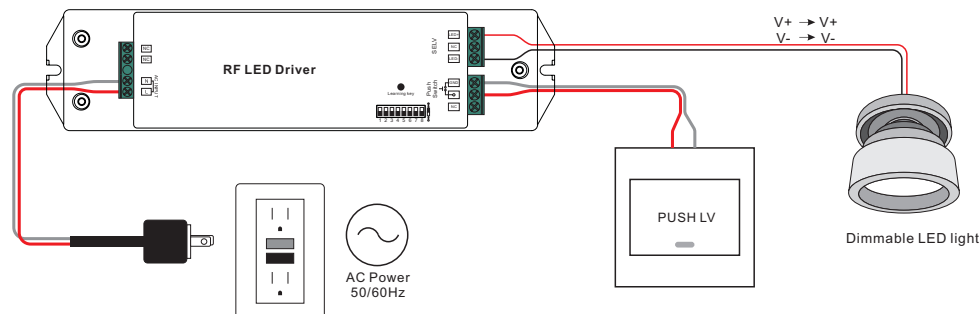
	1	2	3	4	5	6	7	8
250mA	○	●	○	○	○	○	○	○
300mA	○	○	○	○	○	○	○	○
350mA	○	○	○	○	○	○	○	○
400mA	○	○	○	○	○	○	○	○
450mA	○	○	○	○	○	○	○	○
500mA	○	○	○	○	○	○	○	○
600mA	○	○	○	○	○	○	○	○
700mA	○	○	○	○	○	○	○	○
800mA	○	○	○	○	○	○	○	○
900mA	○	○	○	○	○	○	○	○
1000mA	○	○	○	○	○	○	○	○
1100mA	○	○	○	○	○	○	○	○
1200mA	○	○	○	○	○	○	○	○
1300mA	○	○	○	○	○	○	○	○
1400mA	○	○	○	○	○	○	○	○
1500mA	○	○	○	○	○	○	○	○

- Dimmable LED driver with RF control
- Max. output power 50W
- 1 channel 250-1500mA constant current output
- Dips to set the operation current
- Class II power supply, full isolated plastic case
- High power factor and efficiency
- To switch and dim single color LED lighting
- Compatible with a variety of single color RF remotes
- IP20 rating
- Suitable for indoor LED lighting applications
- Radio Frequency : 868/869.5/916.5/434mhz
- 5 years warranty

Safety & Warnings

- DO NOT install with power applied to device.
- DO NOT set the operation current with power applied
- DO NOT expose the device to moisture.

Wiring Diagram



Pair/delete the pairing with RF remote

1. Do wiring according to connection diagram.
2. Pair RF Receiver with RF remote: please refer to the instruction of the remote that you would like to pair with.
3. Delete the pairing:
 - (1) Wire up the RF receiver correctly, power on.
 - (2) Press and hold down the “ **Learning Key**” button on receiver for over 3 seconds until the connected light flashes, which means well deleted.

PUSH DIM:

While connected with PUSH LV, click the button to switch ON/OFF lights. Press and hold down the button to increase/decrease light intensity.

Product Dimension

