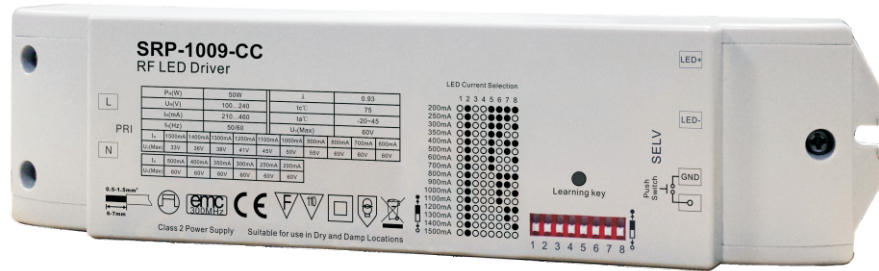


# RF LED DIMMABLE DRIVER

## SRP-1009-CC



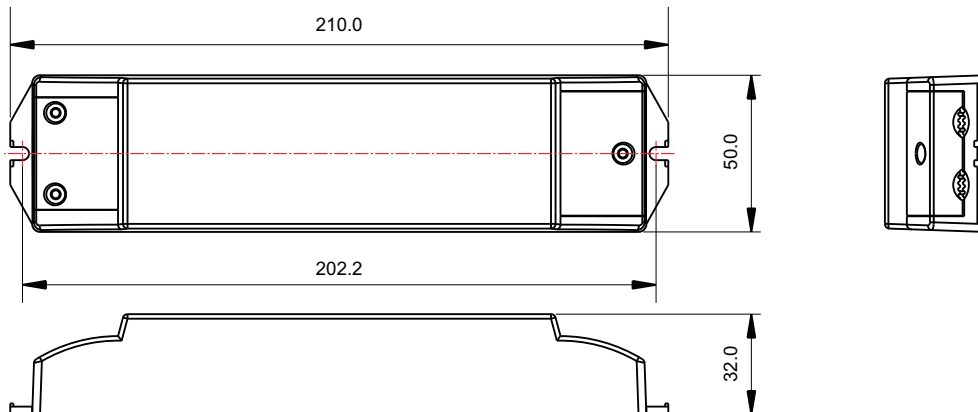
### Parameter

#### RF LED Driver

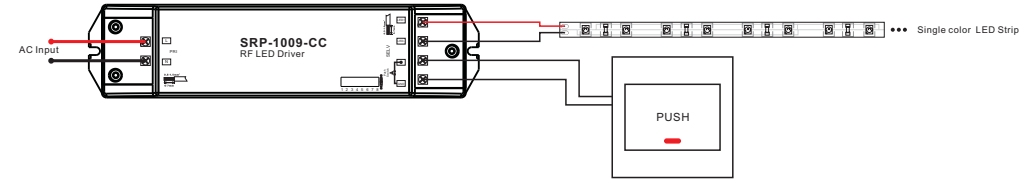
|            |           |        |        |        |        |                  |        |       |       |       |  |
|------------|-----------|--------|--------|--------|--------|------------------|--------|-------|-------|-------|--|
| $P_N(W)$   | 50W       |        |        |        |        | $\lambda$        | 0.93   |       |       |       |  |
| $U_N(V)$   | 100...240 |        |        |        |        | $t_c(^{\circ}C)$ | 75     |       |       |       |  |
| $I_N(mA)$  | 210...460 |        |        |        |        | $t_a(^{\circ}C)$ | -20~45 |       |       |       |  |
| $f_N(Hz)$  | 50/60     |        |        |        |        | $U_o(Max)$       | 60V    |       |       |       |  |
| $I_o(CC)$  | 1500mA    | 1400mA | 1300mA | 1200mA | 1100mA | 1000mA           | 900mA  | 800mA | 700mA | 600mA |  |
| $U_o(Max)$ | 33V       | 36V    | 38V    | 41V    | 45V    | 50V              | 55V    | 60V   | 60V   | 60V   |  |
| $I_o(CC)$  | 500mA     | 400mA  | 350mA  | 300mA  | 250mA  | 200mA            |        |       |       |       |  |
| $U_o(Max)$ | 60V       | 60V    | 60V    | 60V    | 60V    | 60V              |        |       |       |       |  |

$I_o(CC)$ =output constant current  
 $U_o(Max)$ = maximum output voltage

### Product Size



### Wire diagram



### Operation

- Do wiring according to connection diagram
- Before connecting LED lights, please correctly setting the CC current via DIP switch  
**Please do not set the DIP switch with power**
- Short press learning key on driver and then any button of the remote of wall mounted panel.  
 Once the receiver and remote well paired, the led light flashes means well learned.
- Long press the learning key on driver over 5 seconds until LED light flash, then delete the learned ID, the receiver will be reset to factory defaults.
- When connected to Push Switch, short press push switch for switch ON/OFF, long press push switch to dim up, long press again to dim down

Each driver can be controlled by 8 different remotes& wall mounted panel in max.

### Warranty Agreement

- Lifetime technical support is available for this product:
  - We provide 5-year limited warranty for this product dated from the time of purchasing. We print date on every product, for example 1125 means year 2011, week 25. The warranty is for free repair or replacement and covers manufacturing faults only. For faults beyond the 3-year warranty we reserve the right to charge for time and parts.
- The warranty shall be void under but not limited to following conditions:
  - Any defects caused by wrong operation.
  - Any damages caused by unauthorized removal, maintenance, modifying, incorrect connection and replacement of chips.
  - Any damages caused due to transportation, vibration etc. after purchase.
  - Any damages caused by earthquake, fire, lightning, pollution and abnormal voltage.
  - Any damages caused by negligence, inappropriate storing at high temperatures and humidity or near harmful chemicals.
  - Product has been updated.
- Repair or replacement as provided under this warranty is the exclusive remedy to the customer.

### Safety & Warnings

- The product shall be installed and serviced by a qualified electrician.
- IP20. Please do not expose the product to the sun and rain. When installed outdoors, please ensure it is mounted in a waterproof enclosure.
- Always be sure to mount this unit in an area with proper ventilation to avoid overheating.
- Please make sure the output voltage of LED power supplies used comply with the working voltage of the product.
- Never connect any cables while power is on and always assure correct connections to avoid short circuits before switching on.
- Please ensure that the cable is secured tightly in the connector.
- For update information please consult your supplier.