

Push Button Single Color DALI Controller

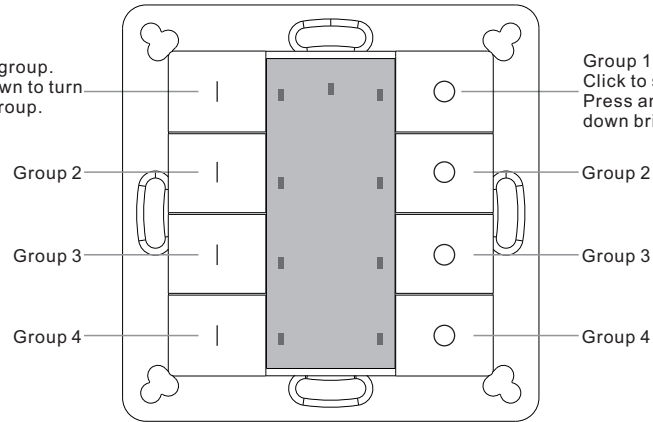
09.2402K8G4.04859



Important: Read All Instructions Prior to Installation

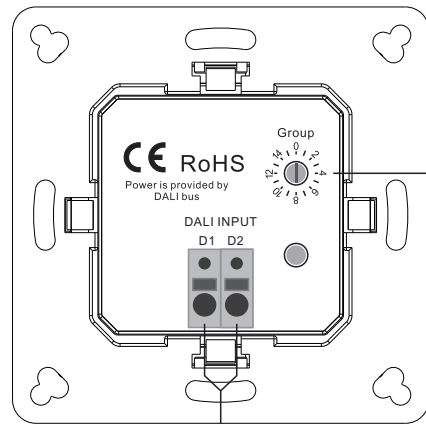
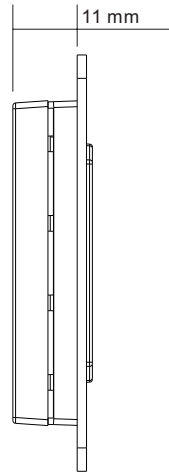
Function introduction

Group 1:
Click to switch on group.
Press and hold down to turn
up brightness of group.



Front side

Group 1:
Click to switch off group.
Press and hold down to turn
down brightness of group.



DALI signal output

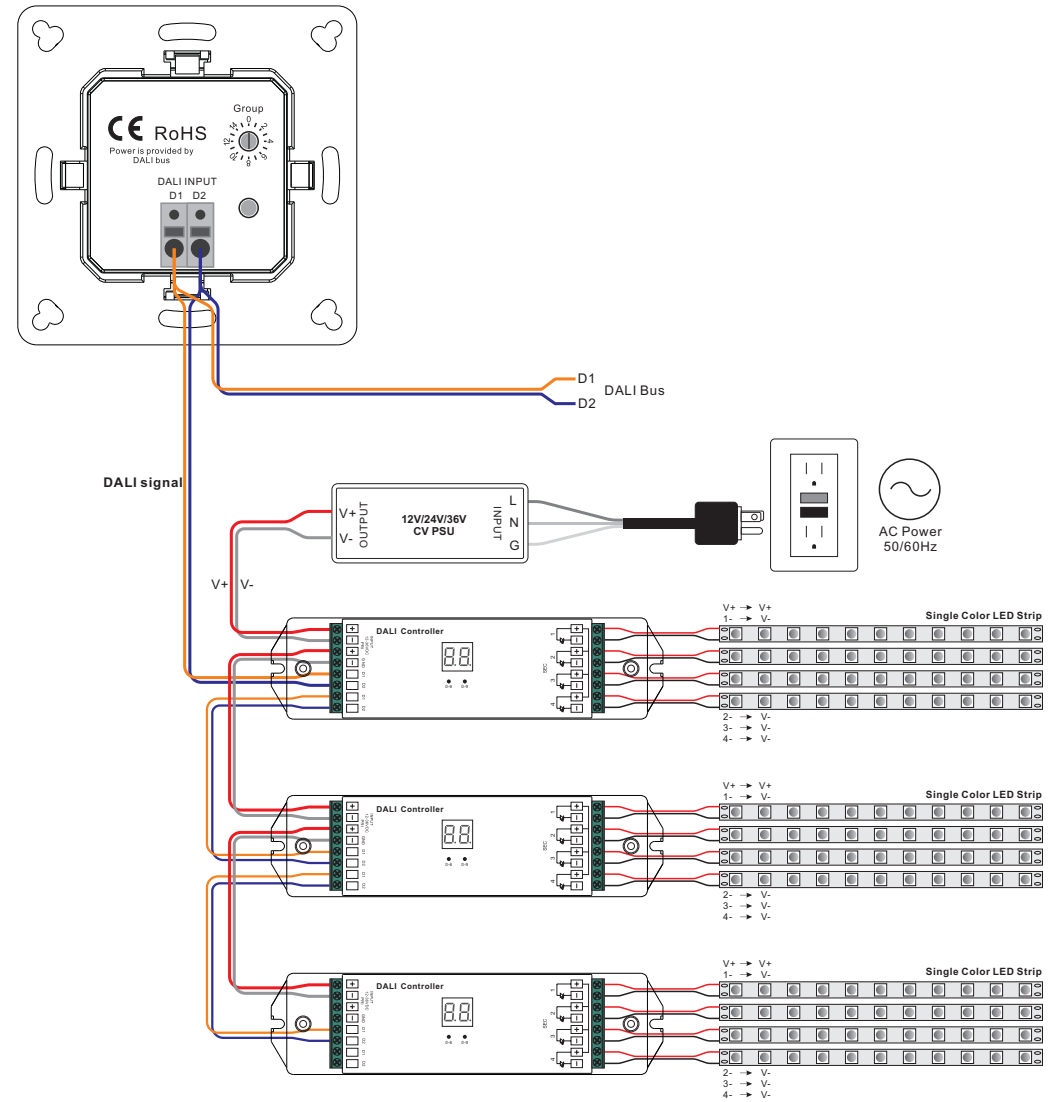
Back side

Rotary Switch for Assigning
Group (Total 16 Groups)

Product Data

Output	DALI signal
Power Supply	Supply By DALI Bus
Operation Current	4mA
Operating temperature	0-40°C
Relative humidity	8% to 80%
Dimensions	71.2x71.2x13.6mm

Wiring Diagram



Safety & Warnings

- DO NOT installed with power applied to device.
- DO NOT expose the device to moisture.

Operation

1. Do wiring according to connection diagram correctly.
2. Set starting Group number via rotary switch on the back: (0-15 selectable)
 - This DALI push button controller enables dimming commands to be sent to Four Groups of devices on the DALI circuit by Four Groups of buttons. A rotary switch on the back is used to select Groups you would like to control and set the starting Group number, and total 16 Groups (0-15) can be selected.
 - When the rotary switch arrow position is at 0, Group 1 of buttons controls all 16 Groups of devices through broadcast.
 - When the rotary switch arrow position is at X except 0 (1-15), Group 1 of buttons controls Group X-1 of devices.

For example: Rotary switch arrow at 1, Group 1 of buttons controls Group 0 of devices. Rotary switch arrow at 15, Group 1 of buttons controls Group 14 of devices.

Please refer to the detailed Group setting table as follows:

Rotary Switch Position	0	1	2	3	4	5	6	7	8	9	10	11	12	13	14	15
DALI Group for Group 1 of Buttons	Broadcast	0	1	2	3	4	5	6	7	8	9	10	11	12	13	14
DALI Group for Group 2 of Buttons	0	1	2	3	4	5	6	7	8	9	10	11	12	13	14	15
DALI Group for Group 3 of Buttons	1	2	3	4	5	6	7	8	9	10	11	12	13	14	15	0
DALI Group for Group 4 of Buttons	2	3	4	5	6	7	8	9	10	11	12	13	14	15	0	1

Mounting

The key part of this controller is a universal, standard switch element that can be integrated in numerous frames by different manufactures as below list:

BEKER	S1, B1, B3, B7 glass
GIRA	Standard55, E2, Event, Esprit
JUNG	A500, Aplus
MERTEN	M-smart, M-Arc, M-Plan