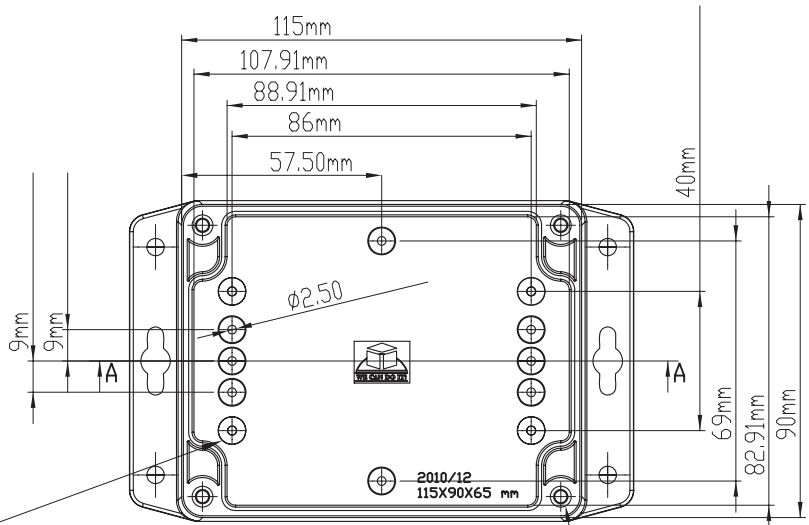
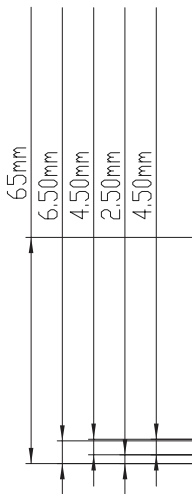
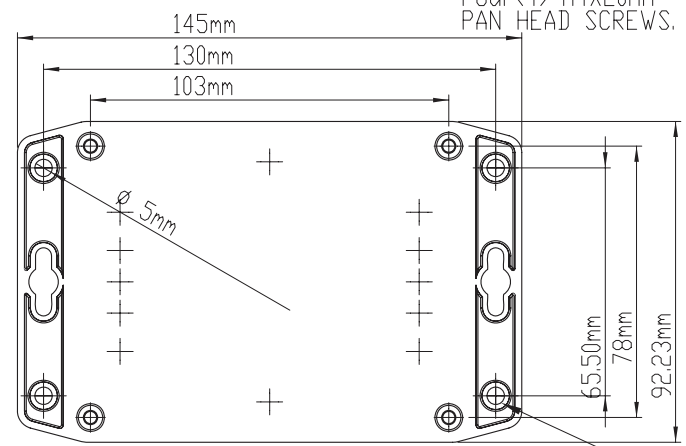


HOLES(12) ARE DESIGNED FOR M3X4mm SELF-TAPPING SCREWS USE.

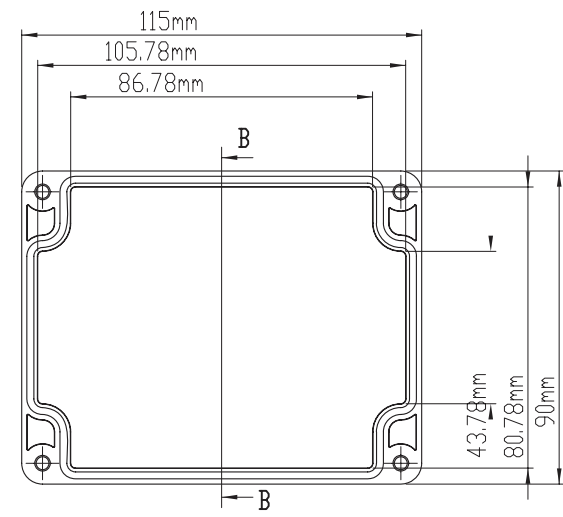
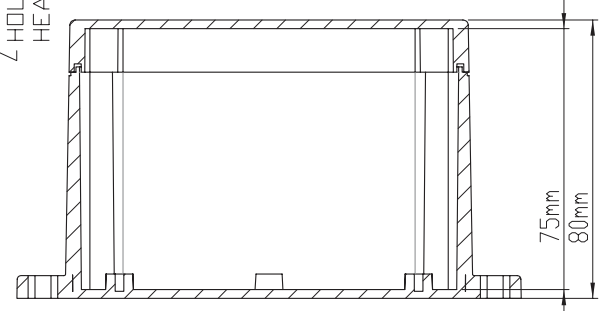


Four(4) M4X20mm PAN HEAD SCREWS.

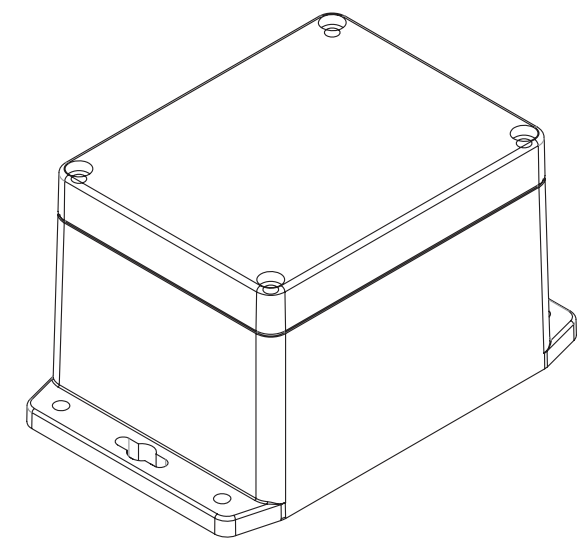
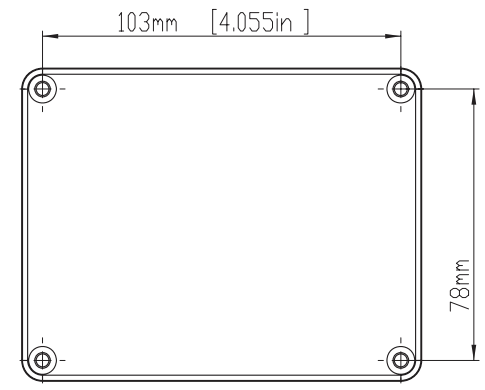
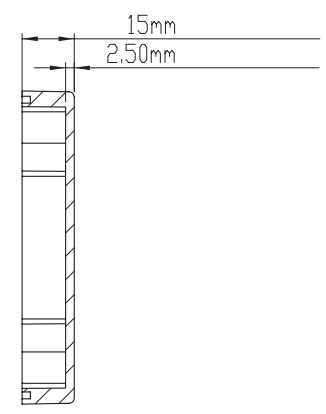


SECTION A-A  
SCALE 2 : 3

HOLES(4) ARE DESIGNED FOR M4 PAN HEAD MACHINE SCREWS USE.



SECTION B-B  
SCALE 2 : 3



TOLERANCES: +/- 0.30 mm (+/- 0.012in)

宣又實業有限公司 GAINTA INDUSTRIES LTD.	繪圖	DRA'D BY	日期	DATE	材質	MATE.	圖名TITLE:	圖號DWG NO:	版次REVISID:
		JACKY	2010/11/8		PC ; ABS		G221MF ; G331MF		A