

Input data

| | | |
|-----------------------|-------|-----------------------------|
| System of measurement | | Metric |
| Input type | | Coupling for electric motor |
| Input speed | [rpm] | 1400 |
| Output speed | [rpm] | 200 |
| Ratio (i=) | | 7 |
| Frequency | [Hz] | 50 |
| Input options | | IEC |
| Requested input power | [kW] | 0.37 |
| Service factor | | 3 |
| Rated Power P1 | [kW] | 1.11 |

Output data

| | |
|------------------|---|
| Gear unit | F RT 40 Output flange No Flange F 7 71 B14 AC 18 |
|------------------|---|

| | | |
|---------------------|---------------------|--------------------------|
| Type | | RT - Worm speed reducers |
| Input type | | F (Elastic coupling) |
| Size | | 40 |
| Ratio (i=) | | 7 |
| Input flange | | B14 |
| Input speed | [rpm] | 1400 |
| Output speed | [rpm] | 200 |
| Rated output torque | [Nm] | 15.02 |
| Service Factor | | 3 |
| Efficiency | | 0.85 |
| Inertia moment | [kgm ²] | 0.000022 |

Gear unit configuration

| | | |
|-------------------|--|---------------------|
| Output shaft | | Hollow output shaft |
| Fixing | | Output flange |
| Right side flange | | No Flange |
| Left side flange | | F |

Output radial and axial loads

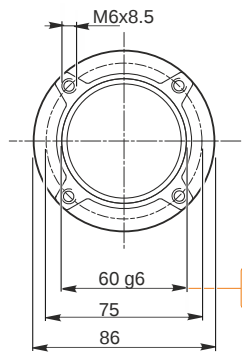
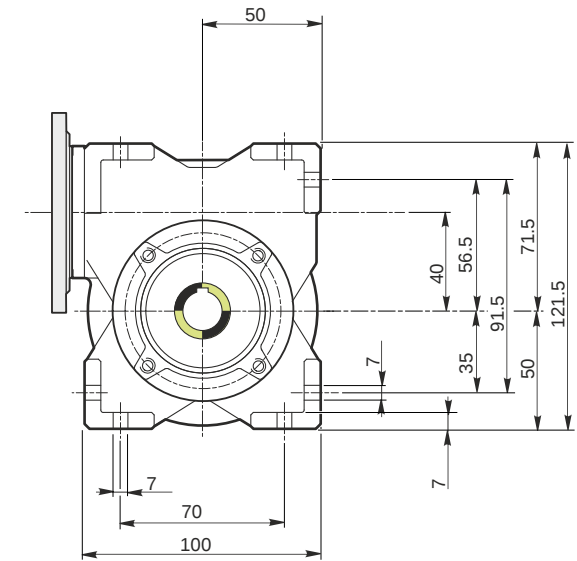
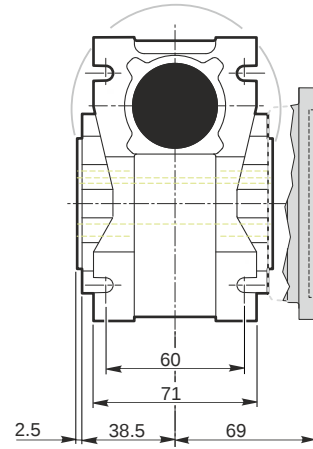
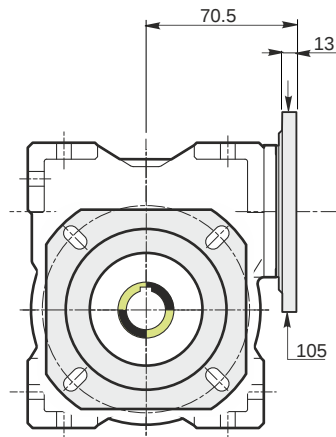
| | | |
|-----------------------------------|-----|------|
| Ball bearings output radial load | [N] | 1000 |
| Taper bearings output radial load | [N] | 1500 |
| Ball bearings output axial load | [N] | 200 |
| Taper bearings output axial load | [N] | 300 |

Accessories

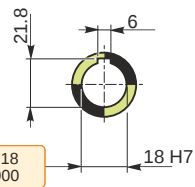
| | | |
|---------------------|--|-------|
| Hollow output shaft | | AC 18 |
|---------------------|--|-------|

Electric motor coupling

| | | |
|----------|------|-------|
| Size | | 71 B4 |
| Poles n. | | 4 |
| Power | [kW] | 0.37 |

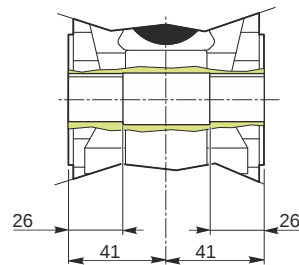


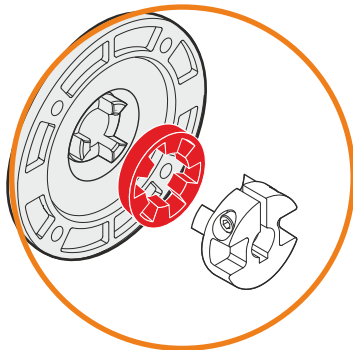
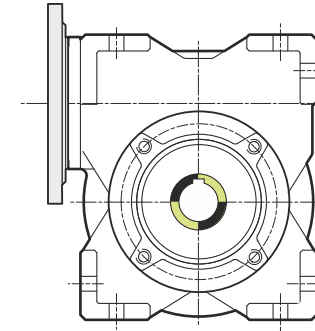
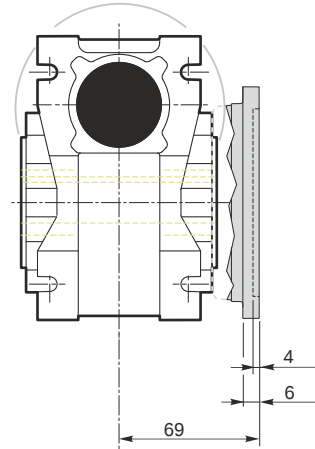
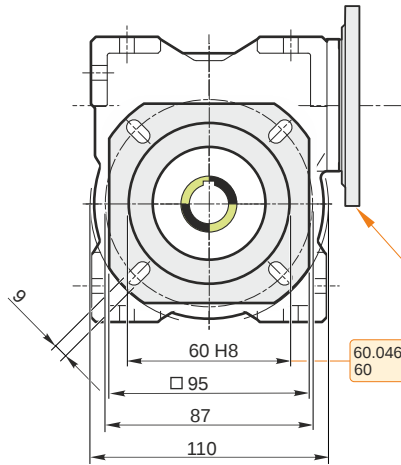
Hollow output shaft



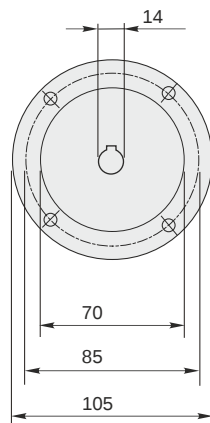
59.99
59.971

18.018
18.000





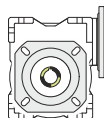
This gear unit is provided with an elastic coupling motor fitting



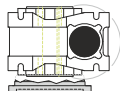
F RT 40 Output flange No Flange F 7 71 B14 AC 18

Mounting positions

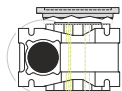
B3



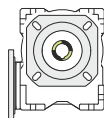
B6



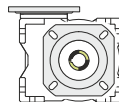
B7



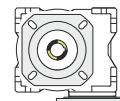
B8



V5



V6



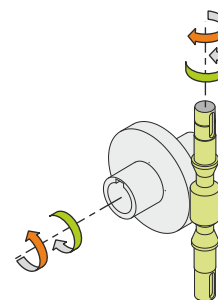
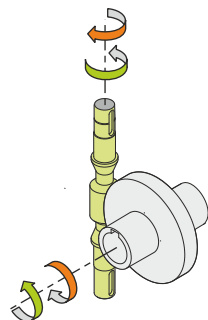
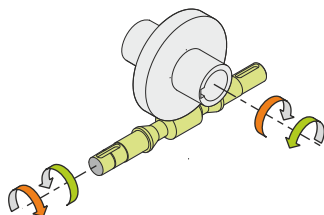
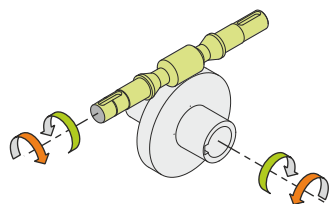
0.08



← Oil quantity [litres]

Lubricant type: Long life synthetic oil ISO VG320

Direction of rotation



Weight

Gear unit [kg] 2.5

Gearing data

| | |
|------------------|---------|
| Axial module | 2.1 |
| Number of starts | 4 |
| Lead angle | 21° 36' |
| Pressure angle | 20° |

Backdriving

Static back-driving
Quick back-driving
Dynamic back-driving