

# HYVA PTO'S



PNEUMATICALLY OPERATED POWER TAKE-OFF

Hyva

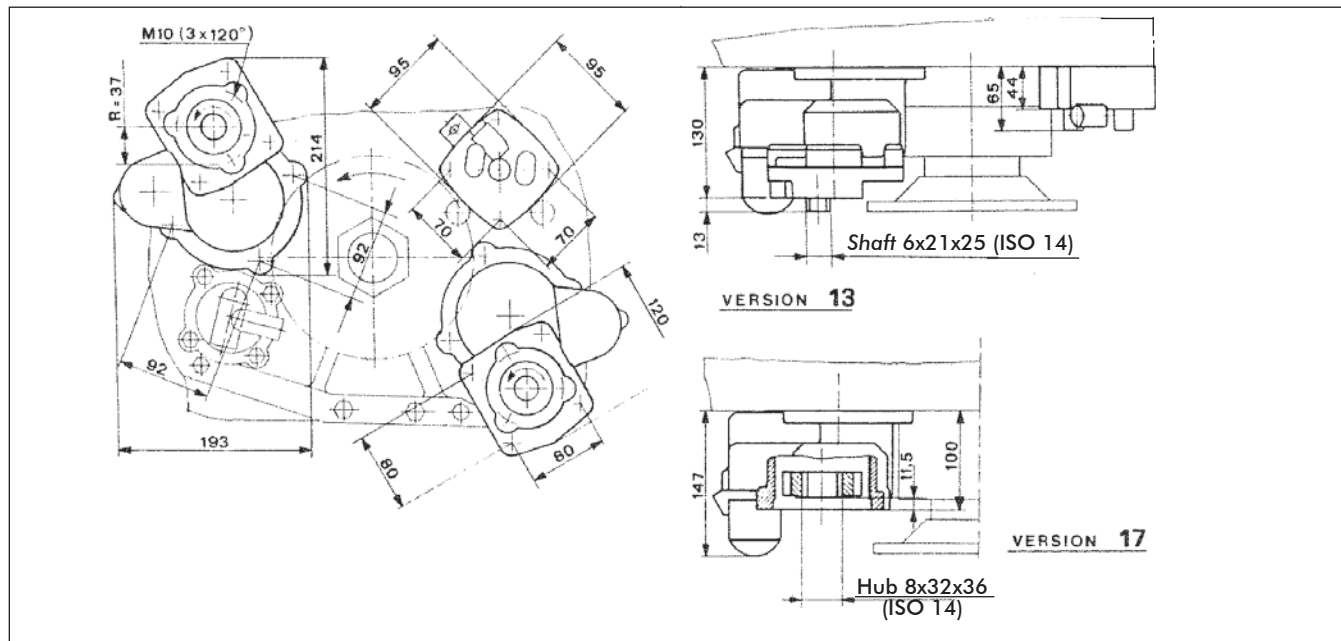
Partno. PTO:

021202060-021202070

Type Gearbox:

FULLER

Page 1 / 1

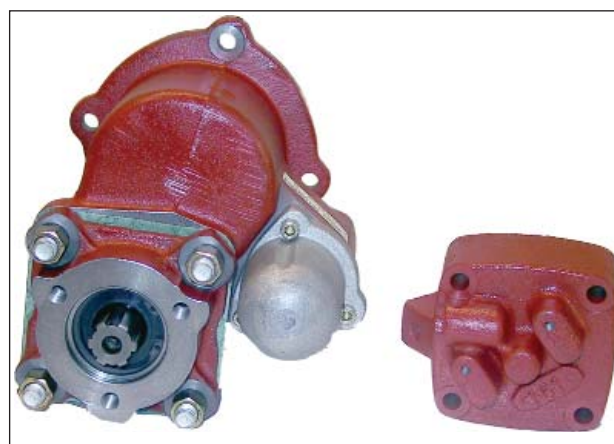


## Specifications

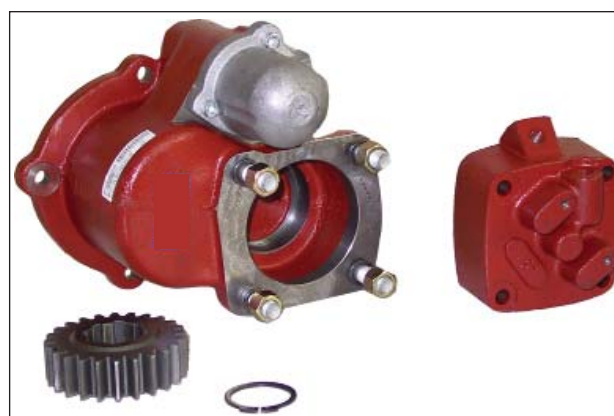
Type Gearbox	SEE INDEX	
PTO ratio@1000 eng. rpm	SEE INDEX	
Max torque	<b>021202060</b>	<b>021202070</b>
	280 Nm	300 Nm
Mounting side	Rear	
Output	Rear	
Rotation	Acw	

## Mounting kit

Part no.	
----------	--



**021202060**



**021202070**