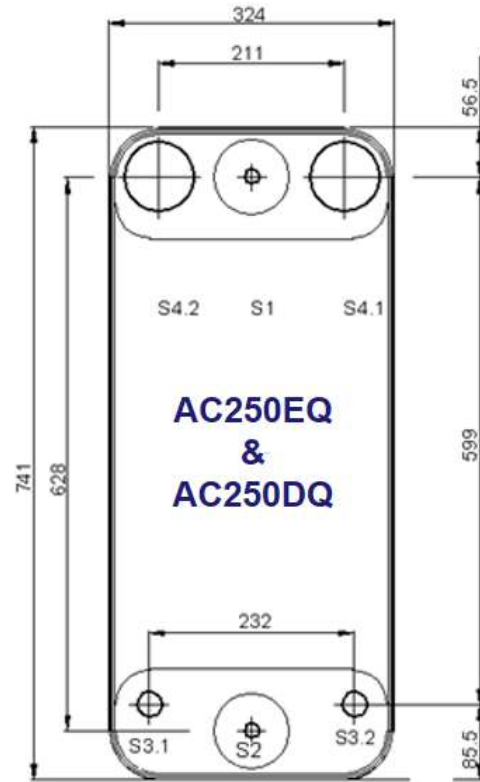
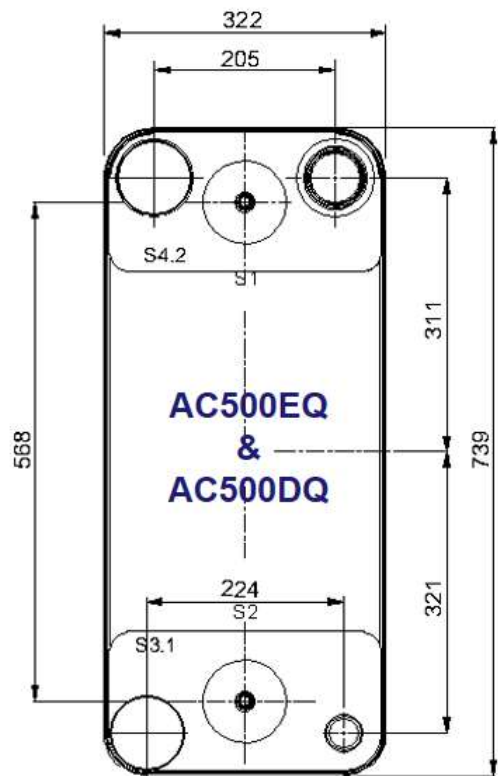


AC500 vs AC250 - Dimensions



Status:

AC250 – Obsolete

AC500 - Current



AC500 vs AC250 – Techn. info

Feature	AC250	AC500
Width x Length:	324 x 741 mm (excl feet & lifting lug)	322 x 739 mm (excl feet & lifting lug)
Channels	Symmetric channels (HX)	Same
Circuits type	Single & Double (EQ/DQ)	Same
Flow direction	Diagonal	AC500EQ – Parallel AC500DQ – Diagonal
Min/Max no of plates	10 / 270	Same
Plate material	Alloy 316	Same
Connection material	Alloy 304	Same
Multi Pass	No	Same
Multi Circuit	Yes	Same
Insulation	Cooling	Same
Temperature	-160°C /+150°C	-196°C /+150°C
Approvals	PED (Europe), UL (USA), KHK (Japan), etc	same



AC500DQ

