

承认书



SPECIFICATION FOR APPROVAL Switching power Supply/开关电源

客户:

CUSTOMER: W061

产品描述:

DESCRIPTION: Input:100~240V AC 50/60Hz Output:13VDC 0.4A

机种型号:

OUR MODEL NO: YNQX09T130040VL 欧规

主件品号:

Prat No.: /

样品编号:

日期:

SAMPLE NO: YN210129 DATE: 2021-03-18

产品颜色:

SAMPLE COLOR:Black

White

安规标准

- EN60065 EN60950 EN61558 EN61347 EN60335 UL62368 EN62368 GB4706
GB8898 GB4943 UL1310 ETL1310 UL60950 UL60065 GB19510 AS 62368

符合安规及电性的情况下原材料不限厂家

APPROVAL SIGNATURE/客户确认

检测/TESTED BY	审核/CHECKED BY	核准/APPROVED BY

Manufacturer/制造商

业务/SALES	设计/DESIGNED BY	核准/APPROVED BY
YN		

东莞市盈纳电子科技有限公司

Dongguan Yingna Electronic Technology Co., Ltd.

地址: 中国广东省东莞市长安镇乌沙蔡屋第六工业区振荣路4号4楼

Add:4/F, No. 4 Zhenrong Road, No. 6 Industrial Zone, Caiwu, Wusha District, Changan Town, Dongguan, P. R. China

Tel: 0769-82389778 (805) Fax: 0769-82389779

E-mail: andy@winna.com.cn The company website: www.winna.com.cn

东莞市盈纳电子科技有限公司
Dongguan Yingna Electronic Technology Co., Ltd

型号/Our model:YNQX09T130040VL

主件品号/Part No.:/

客户/Customer:W061

日期/Date:2021-03-18

样品编号/SAMPLE No:YN210129

版本目录/Rev. List

版本/Rev.	日期/Date	描述/Description	制订/Design
A0	2021-03-18	新版本/New Rev.	叶丽梅

目录/Table of contents

1、描述/DESCRIPTION..... 3

2、输入特性/INPUT CHARACTERISTICS..... 3

3、输出特性/OUTPUT CHARACTERISTICS.....4

4、保护功能/PROTECTION FUNCTION..... 5

5、环境要求/ENVIRONMENTAL REQUIREMET.....5~6

6、安全及 EMI 要求/SAFETY AND EMC REQUIREMENT.....6

7、结构参数/MECHANICAL REQUIREMENT.....7

8、线材/CORD.....8

9、铭牌附图/LABEL.....9

10、包装说明/PACKING.....10

11、测试报告/ELECTRICAL TEST REPORT..... 11

东莞市盈纳电子科技有限公司
Dongguan Yingna Electronic Technology Co., ltd

型号/Our model: YNQX09T130040VL

主件品号/Part No.:/

客户/Customer: W061

日期/Date: 2021-03-18

样品编号/SAMPLE No: YN210129

1、描述/ DESCRIPTION:

本规格书适应于 YNQX09T130040VL 型号的开关电源.

The purpose of the document is to specify the functional requirements of a 5.2W switching power supply.

2、输入特性/INPUT CHARACTERISTICS:

2.1 输入电压/Input Voltage:

额定电压/Rated Voltage: 100~240Vac

调整范围/Variation Range: 90~264Vac

2.2 输入频率/Input Frequency:

额定频率/ Rated Frequency: 50/60Hz.

调整频率/Variation Frequency: 47-63Hz

2.3 输入电流/Input Current:

当输入交流电压为额定值的下限电压负载满载时,最大输入交流电流 0.3A.

0.3Amps max At any input voltage and rated, DC output rated load.

2.4 浪涌电流/Inrush Current:

当输出为额定负载,环境温度为 25℃,输入 240Vac 冷态起机时将不会损坏.

No damage shall be occurred and the input fuse shall not be blown up, Cold start at 240Vac input, with rated load and 25℃ ambient.

2.5 AC 漏电流/Ac Leakage Current:

当输入电压 240Vac 时,最大漏电流为 0.25mA.

东莞市盈纳电子科技有限公司
Dongguan Yingna Electronic Technology Co., ltd

型号/Our model:YNQX09T130040VL

主件品号/Part No.:/

客户/Customer:W061

日期/Date:2021-03-18

样品编号/SAMPLE No:YN210129

0.25mA Max.At240Vac input.

3、输出特性/OUTPUT CHARACTERISTICS:

3.1 输出功率/Power output

电压 Voltage	最小负载 Min. Load	额定负载 Rated. Load	峰值功率 Peak	输出功率 Output power
13Vdc	0.01A	0.4A	/	5.2W

3.2 负载特性,调整率/Combined Load/Line Regulation

电压 Voltage	最小负载 Min. Load	额定负载 Rated. Load	线性调整 Line Regulation	负载调整 Load Regulation
13Vdc	0.01A	0.4A	±3%	±5%

3.3 纹波和噪音 Ripple and Noise:

测试条件:在输入 115/230Vac 25°C和输出最小及最大负载时,使用示波器带宽为 20MHz 连接到适配器的输出端,同时输出端并联一个 47uF 的电解电容和一个 0.1uF 的瓷片电容.

At 115/230Vac 25°C input and output Min and Max.Load,the ripple and noise are as follows when measure with Max.Bandwidth of 20MHz and Parallel 47uF/0.1uF,crossed connected at testing point.

电压	最大纹波/最大噪音
<u>Voltage</u>	<u>Ripple and Noise(Max.)</u>
+13Vdc	200MVP-P

3.4 启动延迟时间/Turn on delay time:

当输入 115Vac 和输出最大负载时,最大启动时间为 3S.

3Second Max.at 115Vac input and output Max.load.

3.5 上升时间/Rise time:

当输入 115Vac 和输出最大负载时最大时间为 40 mS.

40 mS Max.at 115Vac input and output Max load.

3.6 保持时间/Hold up time:

当输入 115Vac 和输出最大负载时,最小保持时间为 5 mS .

5 mS Min.at 115Vac input and output Max.Load.

东莞市盈纳电子科技有限公司
Dongguan Yingna Electronic Technology Co., Ltd

型号/Our model: YNQX09T130040VL

主件品号/Part No.:/

客户/Customer: W061

日期/Date: 2021-03-18

样品编号/SAMPLE No: YN210129

3.7 效率/Efficiency:

当 230Vac 输入电压时, 1/4, 1/2, 3/4 和满载计算平均效率, 最小 77.98%.

77.98% Min, At 230Vac input voltage, 1/4, 1/2, 3/4 and full load calculation average efficiency.

适配器满足能效 VI.

Adapter meet efficiency lever VI.

3.8 过冲/Overshoot:

在电源开启或关闭的时候, 最大 15%.

15% Max. When power supply at turn on or turn off.

4、保护功能/PROTECTION FUNCTION:

4.1 短路电路保护/Short circuit protection:

该电源供给器在短路解除时能正常工作恢复.

The power supply will be auto recovered when short circuit faults remove.

4.2 过流保护/Over current Protection:

过流故障排除后, 电源将自动恢复正常工作.

The power supply will be auto recovered when over current faults remove.

5、环境要求/ENVIRONMENTAL REQUIREMENT:

5.1 工作温度/Operating Temperature:

0°C-35°C, 满载, 正常工作.

0°C to 35°C, Full load, Normal operation.

5.2 储藏温度/Storage Temperature: -20°C to 75°C

带外壳/With package

5.3 工作湿度/Relative Humidity:

5%(0°C)~90%(40°C), 72 小时, 满载, 正常工作.

5%(0°C)~90%(40°C)RH, 72Hrs, Full load, Normal operating.

5.4 振动/Vibration:

1. 测试标准: 国际电工电子委员会

Operating: IEC 721-3-3 3M3

5~9Hz, A=1.5mm

加速度(9~200Hz, Acceleration 5m/S²)

2. 运输/Transportation:

IEC 721-3-2 2M2

5-9Hz, A=3.5mm

9~200Hz, 加速度 Acceleration=5m/S²

东莞市盈纳电子科技有限公司
Dongguan Yingna Electronic Technology Co., ltd

型号/Our model:YNQX09T130040VL

主件品号/Part No.:/

客户/Customer:W061

日期/Date:2021-03-18

样品编号/SAMPLE No:YN210129

200~500Hz,加速度 Acceleration=15m/S²

3. 轴向振动/Axes,10 cycles per axis.

在测试过程中不能出现永久性的损坏.

No permanent damage may occur during testing.

在电源开启和关闭后,样机能够恢复到最初条件.

The SAMPLE has to restore to its original situation after power off/on..

5.5 跌落试验/Dropping Packed:

插墙式跌落高度为 1 米、桌面式跌落高度为 760mm;

1M for wall mount type and 760mm for desktop type as above described.

测试台面是厚 13mm 的夹木板, 离地面高 19-20mm

The horizontal surface Consists of hardwood at least 13mm thick,mounted on two layers of plywood each 19mm to 20mm thick,all supported on a concrete or equivalent non-resilient floor.

6、安全及 EMC 要求/SAFETY AND EMC REQUIREMENT:

6.1 安全: 符合标准: EN 61558

Safety:accord standard with: EN 61558

证书: TUV CE&GS

Certificate: TUV CE&GS

6.2 高压/DIELECTRIC STRENGTH Hi-Pot:

初级对次级/Primary to secondary:4200V/10mA/60S

6.3 绝缘抗阻/Insulation resistance:

初级对次级/Primary to secondary:10M Ω min at 500V DC.

东莞市盈纳电子科技有限公司
Dongguan Yingna Electronic Technology Co., ltd

型号/Our model: YNQX09T130040VL

主件品号/Part No.:/

客户/Customer: W061

日期/Date: 2021-03-18

样品编号/SAMPLE No: YN210129

7、结构参数/MECHANICAL REQUIREMENT: (单位: mm) Black

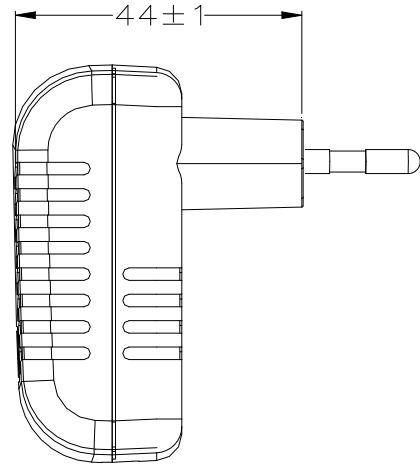
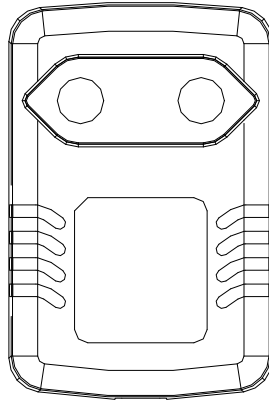
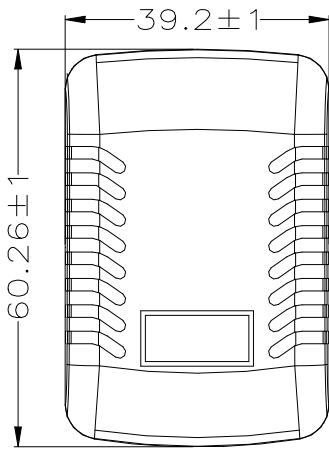
7.1 外壳/Enclosure:

外壳尺寸: L60.26x W39.2x H44mm;

The power supply size: L60.26x W39.2x H44mm;

7.2 输入线/Input Connector:

2 Pin VDE 插脚/Two pin input plug of VDE.



东莞市盈纳电子科技有限公司
Dongguan Yingna Electronic Technology Co., Ltd

型号/Our model: YNQX09T130040VL

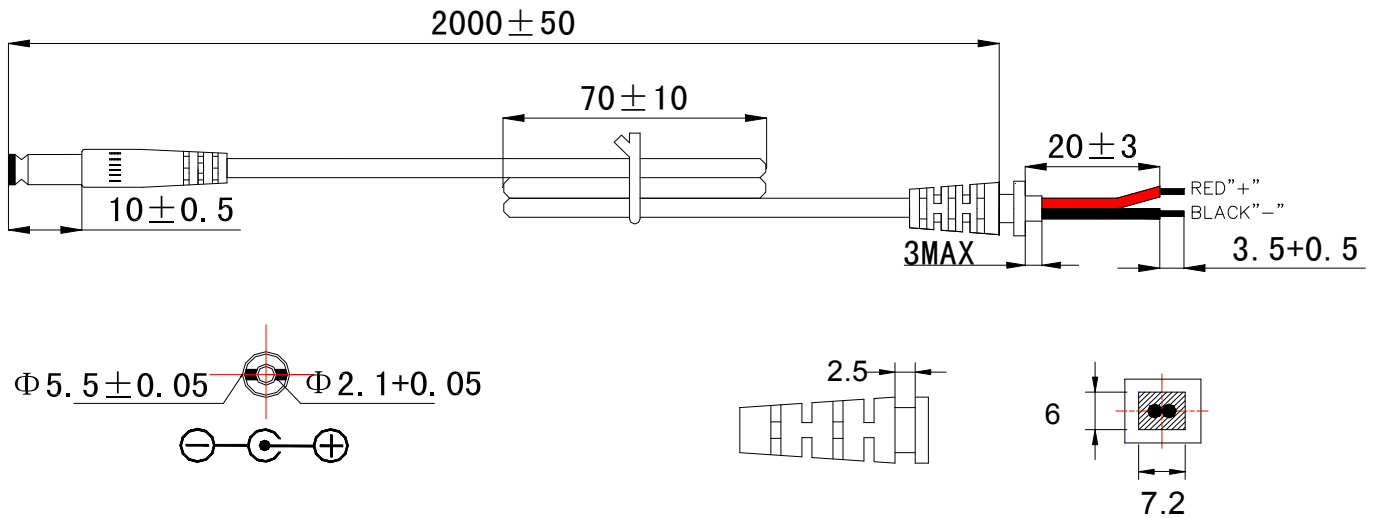
主件品号/Part No.:/

客户/Customer: W061

日期/Date: 2021-03-18

样品编号/SAMPLE No: YN210129

9、线材/CORD: (单位: mm)



NOTE1:

- 1>UL2464 20AWG 80°C 300V L=2000mm;
- 2>5.5*2.1*10 直头,内正外负
条纹接“+”黑线接“-”
- 3>Color:YN-01 白;
- 4>ROHS.

备注: DC 线不限产家.

东莞市盈纳电子科技有限公司
Dongguan Yingna Electronic Technology Co., ltd

型号/Our model: YNQX09T130040VL

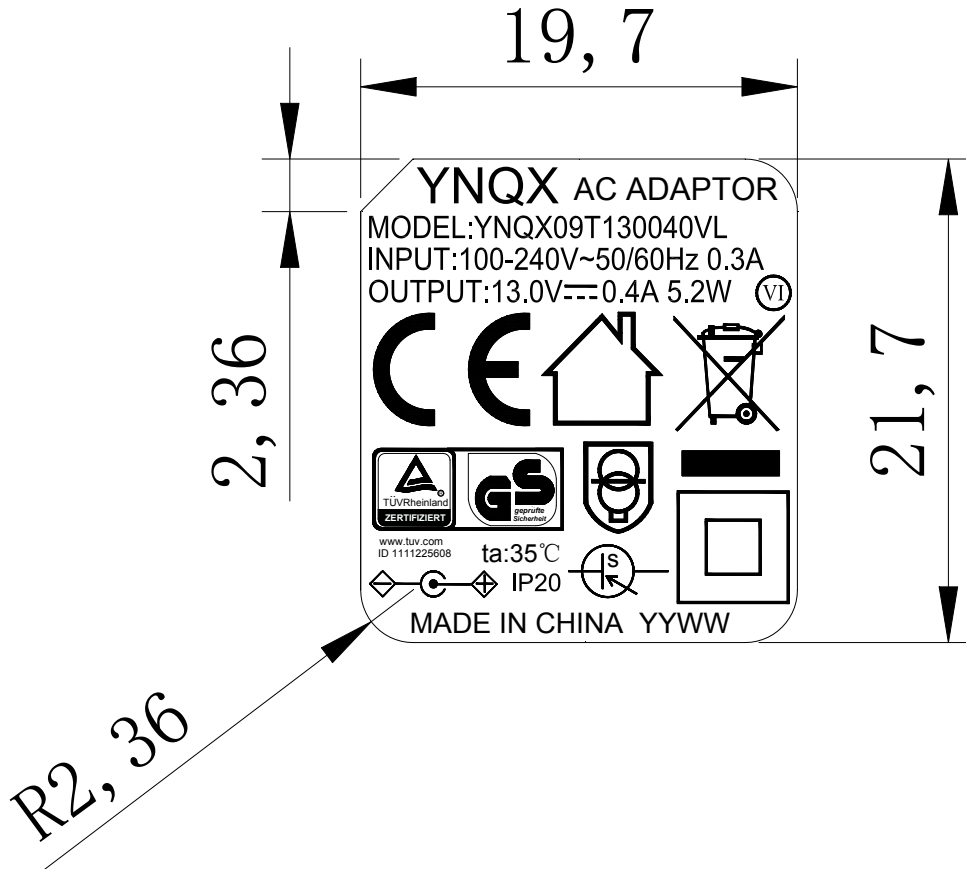
主件品号/Part No.:/

客户/Customer: W061

日期/Date: 2021-03-18

样品编号/SAMPLE No: YN210129

10、铭牌/LABEL: (单位: mm)



NOTE1:

1. 铭牌镭雕
2. 环保/RoHS;
3. YYWW/YY 表示年份, WW 表示周期.

NOTE2:

1. 颜色/Color: 白底黑字;
White ground Black character;
2. 材质/Material: PET+雾面/fog surface;
3. 误差/Tolerance: +0/-0.2mm;
4. 环保/RoHS;
5. YYWW, YY 表示年份, WW 表示周期

东莞市盈纳电子科技有限公司
Dongguan Yingna Electronic Technology Co., ltd

型号/Our model: YNQX09T130040VL

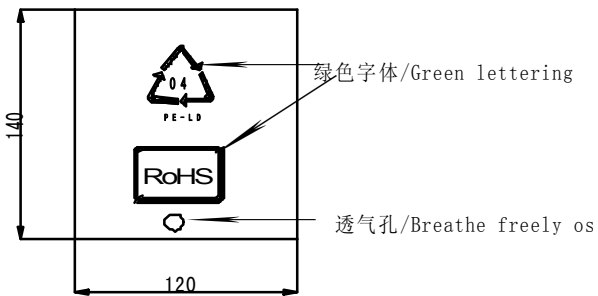
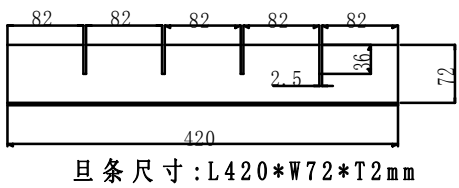
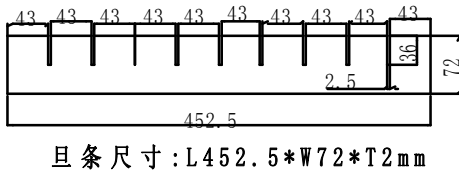
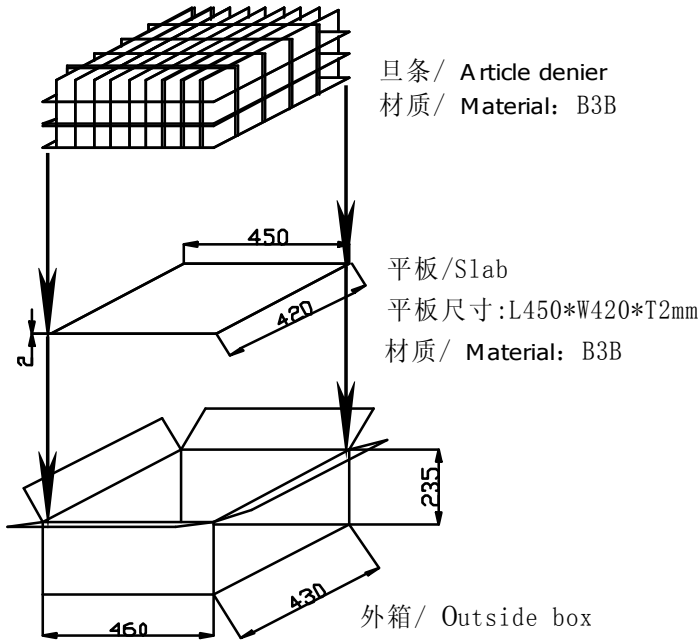
主件品号/Part No.:/

客户/Customer: W061

日期/Date: 2021-03-18

样品编号/SAMPLE No: YN210129

11、包装说明/PACKING:



胶袋 / Pe bag: L140*W120*T0.03mm

摆放方式 / Put way: 竖放 / Shaft put

每箱 / Each box: 150PCS

共三层 / Three layers of: 每层 / Each layer 50PCS

备注: 此包装材料仅供参考.