


**APPROVALS**




 **ENGINEERING CODE**  
925DA02


 **APPROVED REFRIGERANT**  
R-404A

 **POWER SUPPLY**  
220-240 V 50 Hz

 **STANDARD CONDITIONS**  
ASHRAE

 **APPLICATION**  
LBP

 **COOLING CAPACITY**  
1372 W (LBP)

 **EFFICIENCY**  
1.38 W/W (LBP)

 **MOTOR TYPE**  
CSCR

 **STARTING TORQUE**  
HST

**DATA**

**General Data**

Type	Hermetic reciprocating
Technology Type	On-Off
Displacement	27.8 cm <sup>3</sup>
Compressor Cooling	Fan/NotControlled/220
Fan Air Flow	520 m <sup>3</sup> /h
Expansion Device	Capillary Tube or Expansion Valve
Horse Power	1 1/2 hp
Max Condensing Pressure Operating	24.71 bar
Max Condensing Pressure Peak	27.71 bar
Power Supply	220-240 V 50 Hz
Evaporating Temperature Range	-40 °C to -10 °C

**Electrical Data**

Motor type	CSCR
Starting Torque	HST
Start Winding Resistance	3.89 Ω at 25° C
Run Winding Resistance	1.69 Ω at 25° C

## Mechanical Data

Maximum Recommended Refrigerant Charge	800 g
Oil Charge	650 ml
Oil Type Configuration	ESTER
Oil Type Viscosity	ISO22
Pressurization	Dry air charge
Weight	18.3 Kg
Free Internal Volume	3.75 L

## Electrical Components

	Description
Run Capacitor	20
Start Capacitor	88-108 Uf / 330 V
CSR / CSIR Box	YES
Starting Device	RVA2E3C-103
Motor Protection	15HM1962-240

## External Characteristics

Base Plate	Universal	
Tray Holder	No	
Height	250 mm	
Connector	Internal Diameter	Shape
Suction	9.6 mm	Vertical/Copper
Discharge	6.42 mm	Vertical/Copper
Process	6.42 mm	Vertical/Copper

## PERFORMANCE

## Rated Points

Condensing Temperature	Evaporating Temperature	Cooling Capacity	Power Consumption	Current	Gas Flow Rate	Efficiency
54.40°C	-23.30°C	1372 W	998 W	5.06 A	31.75 kg/h	1.38 W/W

Test Condition: ASHRAELBP32, Fan/NotControlled/220, Return Gas 32.2°C, Evaporation -23.30°C, Condensing 54.40°C, Ambient 32.2°C, Liquid 32.2°C, Subcooling 22.2K. Data in accordance to EN

12900:2013 and AHRI 540:2015 polynomial equation and uncertainty guidance.

## Performance Curve Data

### Condensing Temperature 35°C

Evaporating Temperature °C	Cooling Capacity W	Power W	Current A	Gas Flow Rate kg/h	Efficiency W/W
-40	648	575	3.34	14.86	1.13
-35	862	662	3.66	19.83	1.3
-30	1126	752	4.02	26.00	1.5
-25	1443	846	4.41	33.44	1.71
-20	1815	943	4.84	42.29	1.92
-15	2245	1045	5.29	52.62	2.15
-10	2735	1150	5.78	64.56	2.38

Test Condition: ASHRAELBP32, Fan/NotControlled/220, Return Gas 32.2°C, Ambient 32.2°C, Liquid 32.2°C. Data in accordance to EN 12900:2013 and AHRI 540:2015 polynomial equation and uncertainty guidance.

### Condensing Temperature 45°C

Evaporating Temperature °C	Cooling Capacity W	Power W	Current A	Gas Flow Rate kg/h	Efficiency W/W
-35	797	677	3.73	18.30	1.18
-30	1052	787	4.16	24.23	1.34
-25	1359	901	4.63	31.44	1.51
-20	1721	1020	5.13	40.03	1.69
-15	2142	1143	5.66	50.11	1.87
-10	2623	1270	6.23	61.79	2.06

Test Condition: ASHRAELBP32, Fan/NotControlled/220, Return Gas 32.2°C, Ambient 32.2°C, Liquid 32.2°C. Data in accordance to EN 12900:2013 and AHRI 540:2015 polynomial equation and uncertainty guidance.

### Condensing Temperature 55°C

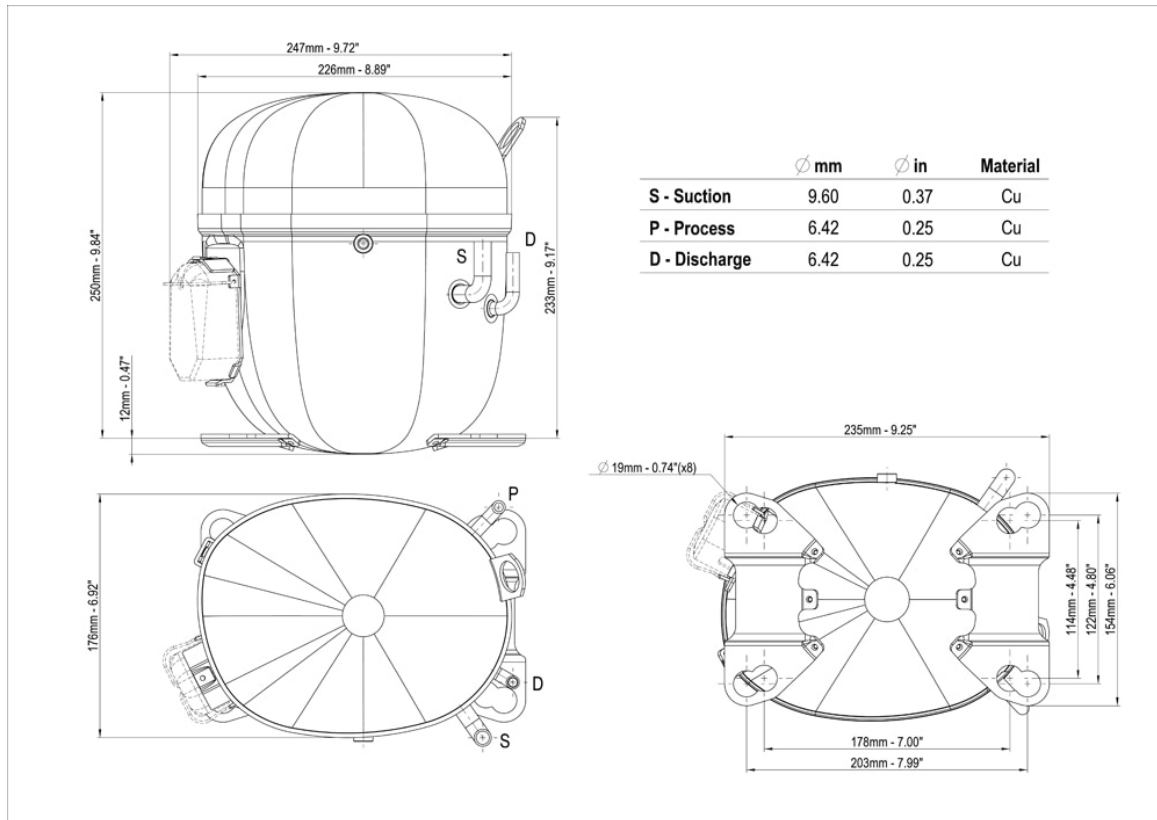
Evaporating Temperature °C	Cooling Capacity W	Power W	Current A	Gas Flow Rate kg/h	Efficiency W/W
-30	962	826	4.34	22.11	1.16
-25	1258	955	4.88	29.03	1.32
-20	1609	1088	5.46	37.33	1.48
-15	2018	1227	6.07	47.11	1.65
-10	2487	1370	6.72	58.48	1.82

Test Condition: ASHRAELBP32, Fan/NotControlled/220, Return Gas 32.2°C, Ambient 32.2°C, Liquid 32.2°C. Data in accordance to EN 12900:2013 and AHRI 540:2015 polynomial equation and uncertainty guidance.

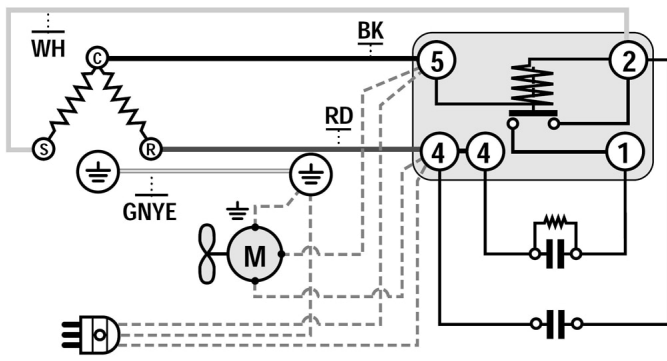
## Operating Envelope



## External Dimensions



## Wiring Diagram



## Assembly Instructions

