

# CONNECTOR

# SOLUTIONS

2020v1



# Connector Series Pin and Data



TTAF Elektronik Ltd was founded in Istanbul /Turkey in 2003, providing interconnect solutions for industrial, telecom and led lighting applications including: Wiring harnesses, Cable Assemblies, Optical Fiber, Power, RF, Molded, Electromechanical Assemblies, Lighting Systems and IP rated outdoor solutions.

Servicing our diverse customers worldwide from our state of the art manufacturing facilities in Istanbul(6000sqm closed area), TTAF is now a global interconnect solutions and cable assembly leader always valuing customer satisfaction.

After more than 30 years in the connector marketplace, TTAF capitalized to create own wire harness and cable assembly business offering wiring harness assemblies using optimum grade wire and other material with the help of cutting-edge machines in adherence to set electronic industry norms.

TTAF is ISO9001:2015, TSE, IPC/WHMA-A-620B, UL, CE, ATEX, ETL & 3P certified to meet even the most demanding quality standards.

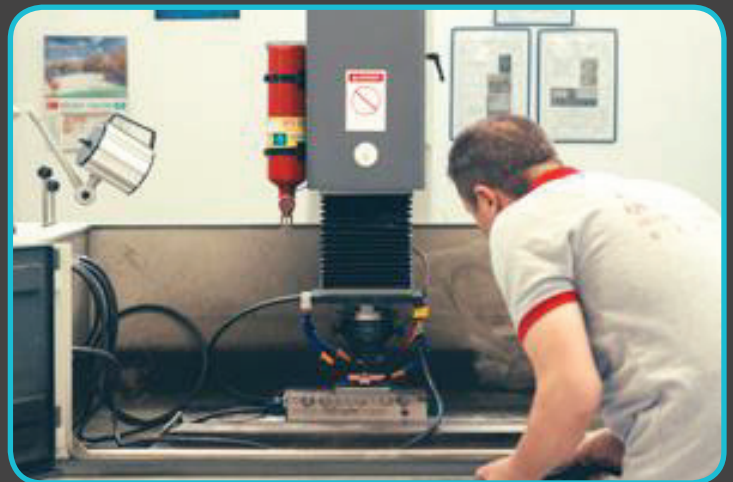
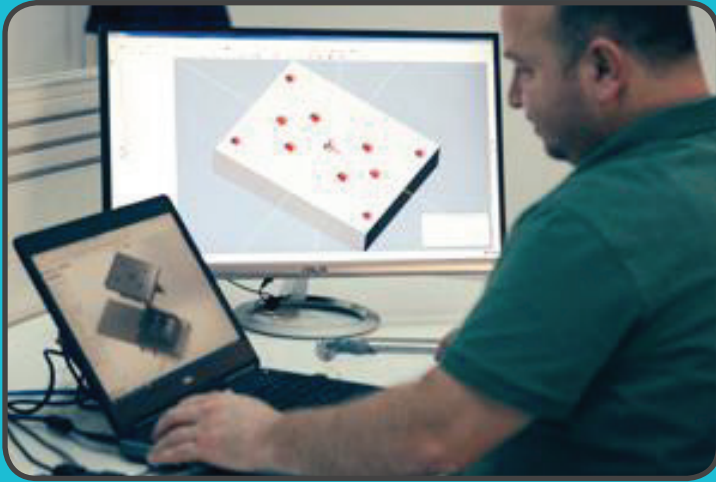


# WPD Connectors and Electrical Splitters

## Table of Contents

|   |    |
|---|----|
| TT30 Data Series Waterproof Fiber LC DX Connectors          | 3  |
| TT30 Data Series Waterproof RJ45 Connectors                 | 4  |
| TT30 Data Series Waterproof USB Connectors                  | 5  |
| TT30 Industrial Series Waterproof Connectors                | 6  |
| TT35 Industrial Series Waterproof Connectors                | 7  |
| TT20 Industrial Series Waterproof Connectors                | 8  |
| TT25 Industrial Series Waterproof Connectors                | 9  |
| 3 Pin I Type OD:1.4mm Screw Connection Field Assembly       | 10 |
| 3 Pin T Type OD:1.4mm Screw Connection Field Assembly       | 11 |
| 2 Pin Pluggable Screw Connection Field Assembly             | 12 |
| 3 Pin Pluggable Screw Connection Field Assembly             | 13 |
| 4 Pin Pluggable Screw Connection Field Assembly             | 14 |
| 3 Pin I Type Silicone Oring Screw Connection Field Assembly | 15 |
| 3 Pin I Type TPE Oring Screw Connection Field Assembly      | 16 |
| 3 Pin I Type Push in Wire Field Assembly                    | 17 |
| 3 Pin Panel Type Screw Connection Field Assembly            | 18 |
| 3 Pin T Type Screw Connection Field Assembly                | 19 |
| 6 Pin Power I Type Screw Connection Field Assembly          | 20 |
| 3 Power + 6 Data I Type Screw Connection Field Assembly     | 21 |
| 6 Pin Power T Type Screw Connection Field Assembly          | 22 |
| 2 Pin Male Pluggable Field Assembly 1in 3 out               | 23 |
| 2 Pin Female Pluggable Field Assembly 1in 3 out             | 24 |
| 3 Pin Male Pluggable Field Assembly 1in 3 out               | 25 |
| 3 Pin Female Pluggable Field Assembly 1in 3 out             | 26 |
| 4 Pin Male Pluggable Field Assembly 1in 3 out               | 27 |
| 4 Pin Female Pluggable Field Assembly 1in 3 out             | 28 |
| 3 Pin Screw Connection Field Assembly 1in 3 out             | 29 |
| 3 Pin Screw Connection Field Assembly 1in 5 out             | 30 |
| IP BOX WP-BOX-04  | 31 |
| IP BOX WP-BOX-05  | 32 |
| Cable Jointer IPJ50 Series                                  | 33 |
| Cable Jointer IPJ24 Series                                  | 34 |
| Mini Blade Fuse Type WFH-M Series                           | 35 |
| Mini Blade Fuse Type WFH-K Series                           | 36 |

## PRODUCTION, DESIGN AND TOOLING...



# TT30 Data Series Waterproof Fiber LC DX

TTData Series

## Connectors

Fiber LC DX  
Plug/Unplug  
-40 °C~80 °C

CE EN 60309-1  
EN 60695-2  
EN 61984-2009

IP67



Plug/Unplug  
Connecting mode

Fiber Optic LC DX  
Connector

### TT30 DATA SERIES Waterproof Data Connectors

Unique  
Lock Mechanism



#### Technical Specifications

#### Product Code

TT30 Data Series Fiber

Type

Fiber

Connecting mode

Plug/Unplug

Durability

500 mating cycles

Receptacle Housing

PBT, Black

Cable specification

0.15-0.2mm<sup>2</sup> /26-24AWG

Line diameter Scope

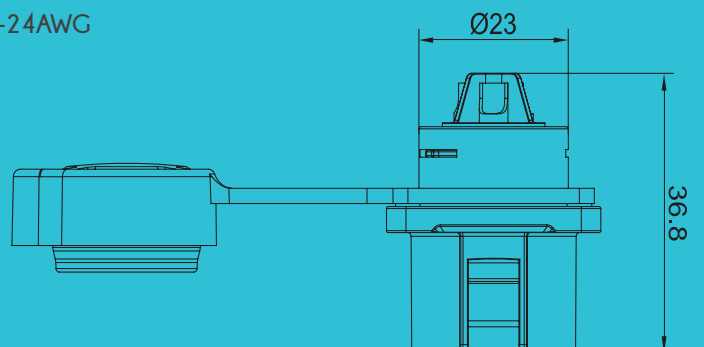
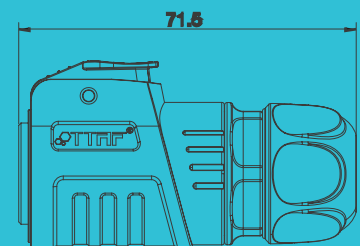
5.5mm-7mm

Operating temperature

-40 °C - 80 °C

Waterproof level

IP65 / IP67



## Connectors

RJ45  
1.5A  
1000V

CE EN 60309-1  
EN 60695-2  
EN 61984-2009



Plug/Unplug  
Connecting mode

RJ45 Connector  
Fast data transfer

## TT30 DATA SERIES

Waterproof Data Connectors

Unique  
Lock Mechanism



### Technical Specifications

### Product Code

TT30 Data Series RJ45

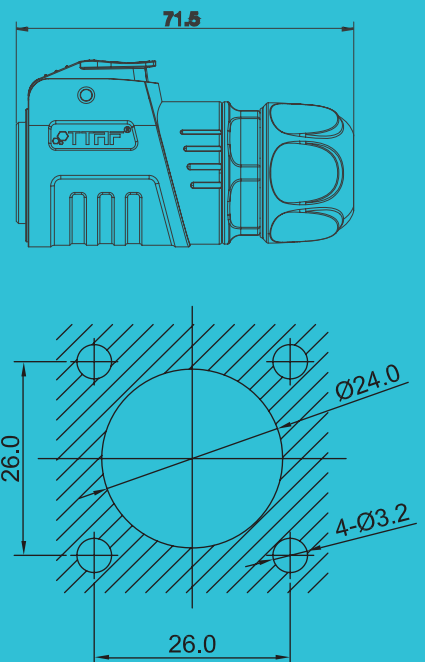
Type



RJ45

Connecting mode  
Durability  
Receptacle Housing  
Cable specification  
Line diameter Scope  
Operating temperature  
Waterproof level  
Rating Current  
Contact resistance  
Withstanding voltage

Plug/Unplug  
500 mating cycles  
PBT, Black  
0.15-0.2mm<sup>2</sup> / 26-24AWG  
5.5mm-7mm  
-40 °C - 80 °C  
IP65 / IP67  
1.5A  
<30mΩ  
1000V



Connectors

USB  
Plug/Unplug  
-40 °C~80 °C

CE EN 60309-1  
EN 60695-2  
EN 61984-2009



Plug/Unplug  
Connecting mode

USB Connector  
2.0 / 3.0

TT30 DATA SERIES  
Waterproof Data Connectors

Unique  
Lock Mechanism



Technical  
Specifications

Product Code

TT30 Data Series USB

Type



Connecting mode

Plug/Unplug

Durability

500 mating cycles

Receptacle Housing

PBT, Black

Cable specification

0.15-0.2mm<sup>2</sup> /26-24AWG

Line diameter Scope

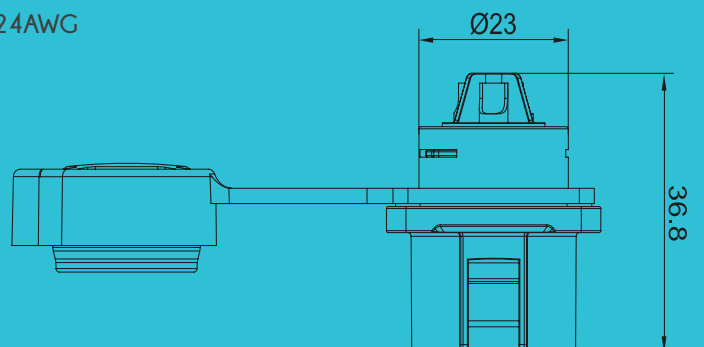
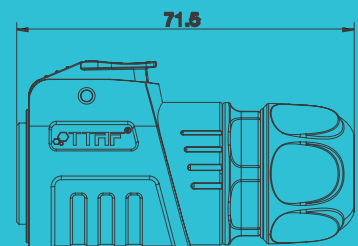
5.5mm-7mm

Operating temperature

-40 °C - 80 °C

Waterproof level

IP65 / IP67



# TT30 Series Industrial Waterproof

TTPin Series

3,4,10,12,19,24 pin  
125~500V  
3A~22A

## Connectors

CE EN 60309-1  
EN 60695-2  
EN 61984-2009



### TT30 SERIES Industrial Waterproof Connectors

Unique  
Lock Mechanism

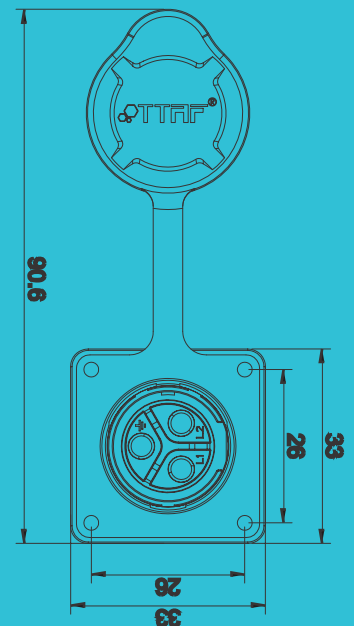


Silicon Seal

#### Technical Specifications

#### Product Code TT30 Pin Series

| Pin Numbers          | 3pin 4pin   | 10pin 12pin   | 19pin 24pin   |
|----------------------|-------------|---------------|---------------|
| Rated Current        | 22A         | 10A           | 3A            |
| Operating Voltage    | 500V        | 250V          | 125V          |
| Withstanding Voltage | 2500V       | 2500V         | 1500V         |
| Contact Resistance   | <1mΩ        | <3mΩ          | <5mΩ          |
| Temperature Rise     | 20A 30 °C   | 10A 30 °C     | 3A 30 °C      |
|                      | 25A 40 °C   | 15A 40 °C     | 7A 40 °C      |
|                      | 30A 50 °C   | 20A 50 °C     | 10A 50 °C 1   |
| Contact Dimension    | 3.0*3-3.0*4 | 1.5*10-1.5*12 | 1.0*19-1.0*24 |
| Seal Material        | Silicone    | Silicone      | Silicone      |
| Maint Cycle          | 1700 Times  | 1700 Times    | 1700 Times    |





# TT35 Series Industrial Waterproof

TTPin Series

3,4,10,12,19,24 pin  
125~500V  
3A~22A

## Connectors

CE EN 60309-1  
EN 60695-2  
EN 61984-2009



### TT35 SERIES Industrial Waterproof Connectors

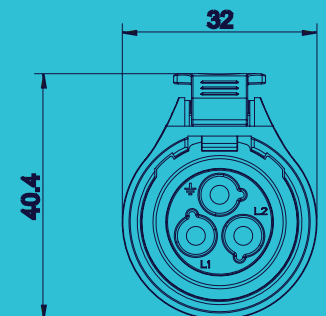
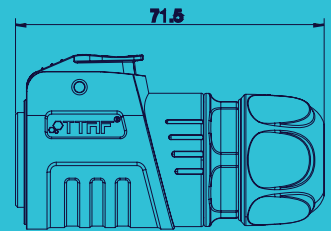
Unique  
Lock Mechanism



#### Technical Specifications

#### Product Code TT35 Pin Series

| Pin Numbers          | Product Code |               |               |
|----------------------|--------------|---------------|---------------|
|                      | 3pin 4pin    | 10pin 12pin   | 19pin 24pin   |
| Rated Current        | 22A          | 10A           | 3A            |
| Operating Voltage    | 500V         | 250V          | 125V          |
| Withstanding Voltage | 2500V        | 2500V         | 1500V         |
| Contact Resistance   | <1mΩ         | <3mΩ          | <5mΩ          |
| Temperature Rise     | 20A 30 °C    | 10A 30 °C     | 3A 30 °C      |
|                      | 25A 40 °C    | 15A 40 °C     | 7A 40 °C      |
|                      | 30A 50 °C    | 20A 50 °C     | 10A 50 °C 1   |
| Contact Dimension    | 3.0*3-3.0*4  | 1.5*10-1.5*12 | 1.0*19-1.0*24 |
| Seal Material        | Silicone     | Silicone      | Silicone      |
| Maint Cycle          | 1700 Times   | 1700 Times    | 1700 Times    |



2,4,3,5,7,9,12 pin  
400~500V  
5A~20A

Connectors

CE EN 60309-1  
EN 60695-2  
EN 61984-2009

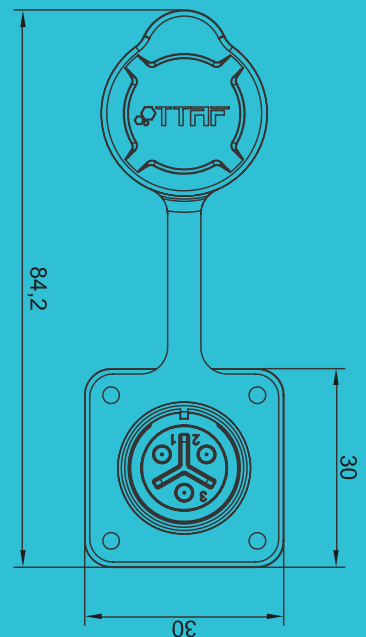


**TT20 SERIES**  
Industrial Waterproof Connectors

**Technical Specifications**

**Product Code**  
TT20 Pin Series

| Pin Numbers          | 2pin 3pin 4pin    | 5pin 7pin   | 9pin 12pin   |
|----------------------|-------------------|-------------|--------------|
| Rated Current        | 20A               | 12A         | 5A           |
| Operating Voltage    | 500V              | 500V        | 400V         |
| Withstanding Voltage | 2500V             | 2500V       | 1500V        |
| Contact Resistance   | <1mΩ              | <2.5mΩ      | <5mΩ         |
| Temperature Rise     | 20A 30 °C         | 12A 30 °C   | 5A 30 °C     |
|                      | 25A 40 °C         | 15A 40 °C   | 7A 40 °C     |
|                      | 30A 50 °C         | 20A 50 °C   | 10A 50 °C 1  |
| Contact Dimension    | 2.7*2-2.7*3-2.7*4 | 1.8*5-1.8*7 | 1.0*9-1.0*12 |
| Seal Material        | Silicone          | Silicone    | Silicone     |
| Maint Cycle          | 1700 Times        | 1700 Times  | 1700 Times   |



# TT25 Series Industrial Waterproof

# TTPin Series

2,4,3,5,7,9,12 pin  
400~500V  
5A~20A

## Connectors

CE EN 60309-1  
EN 60695-2  
EN 61984-2009



5 Pin



7 Pin



9 Pin



4 Pin



12 Pin



3 Pin



2 Pin



## TT25 SERIES

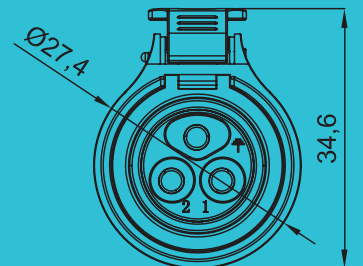
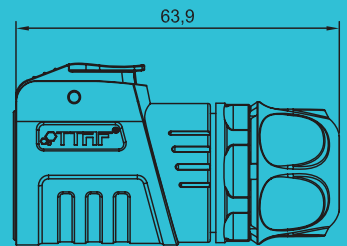
Industrial Waterproof Connectors

### Technical Specifications

### Product Code

TT25 Pin Series

| Pin Numbers          | 2pin 3pin 4pin    | 5pin 7pin   | 9pin 12pin   |
|----------------------|-------------------|-------------|--------------|
| Rated Current        | 20A               | 12A         | 5A           |
| Operating Voltage    | 500V              | 500V        | 400V         |
| Withstanding Voltage | 2500V             | 2500V       | 1500V        |
| Contact Resistance   | <1mΩ              | <2.5mΩ      | <5mΩ         |
| Temperature Rise     | 20A 30 °C         | 12A 30 °C   | 5A 30 °C     |
|                      | 25A 40 °C         | 15A 40 °C   | 7A 40 °C     |
|                      | 30A 50 °C         | 20A 50 °C   | 10A 50 °C 1  |
| Contact Dimension    | 2.7*2-2.7*3-2.7*4 | 1.8*5-1.8*7 | 1.0*9-1.0*12 |
| Seal Material        | Silicone          | Silicone    | Silicone     |
| Maint Cycle          | 1700 Times        | 1700 Times  | 1700 Times   |



3 Pin I Type OD:14mm  
Screw Connection  
Field Assembly

WPI Series

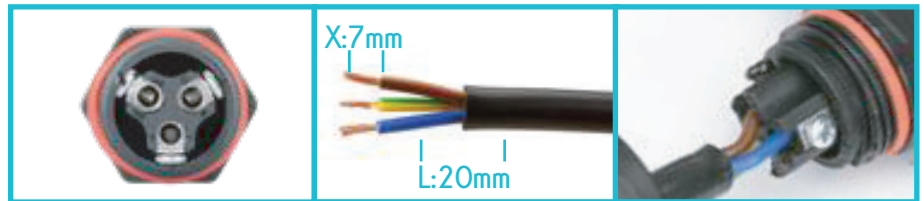
3 pin  
600 VAC  
20A

Connector

CE EN 60309-1  
EN 60695-2  
EN 61984-2009



**GONTUANA**  
Waterproof Connector Series

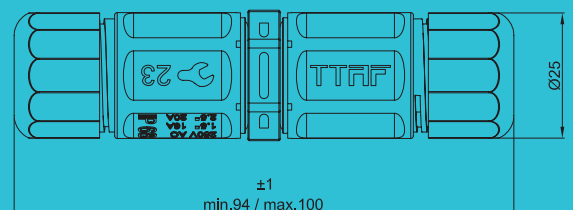
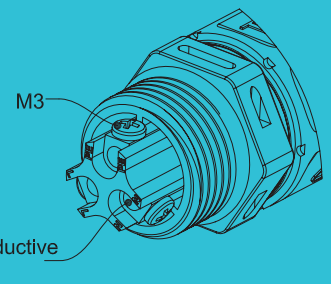


**Technical Specifications**

**Product Code**

WPI-0302M20/14

|                           |   |
|---------------------------|---|
| Number of Poles           | 3                                       |
| Voltage Rating            | 600VAC max                              |
| Current Rating            | 20A max.                                |
| Cable Cross Section Area  | 0,5mm <sup>2</sup> ~ 2.5mm <sup>2</sup> |
| Durability Voltage        | 1500VAC@60s.                            |
| Insulation Structure      | 500 MΩ at 500VDC                        |
| Contact Resistance        | 10 mΩ max.                              |
| Min Wire Size OD          | 6,5mm ~ 10mm                            |
| Max Wire Size OD          | 10,5mm ~ 14mm                           |
| Temperature Rating        | -40°C ~ +85°C                           |
| IP Class                  | IP68 (10m / 60min)                      |
| Mold Material             | PA6                                     |
| Contact/Terminal Material | Nickel-Plated Brass                     |
| Seal Material             | Silicone                                |



3 Pin T Type OD:14mm  
Screw Connection  
Field Assembly

WPT Series

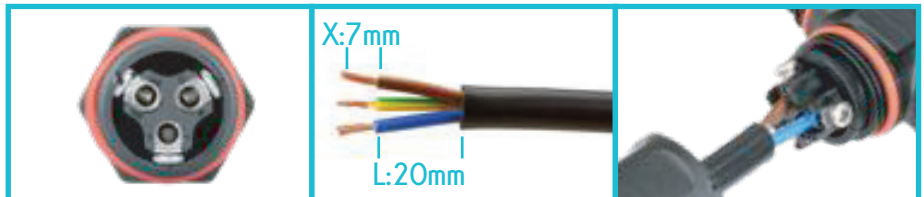
3 pin  
600 VAC  
20A

Connector

CE EN 60309-1  
EN 60695-2  
EN 61984-2009



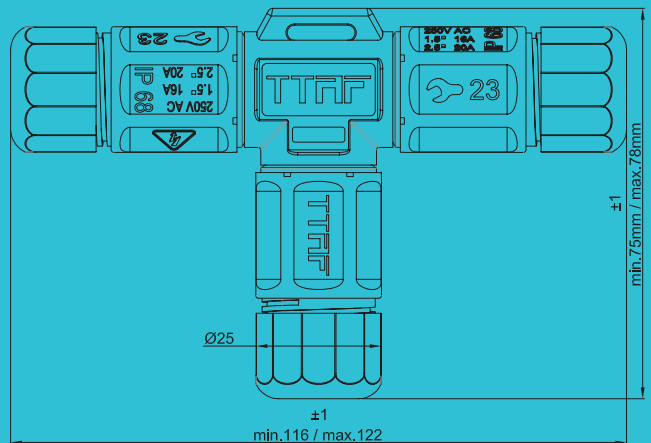
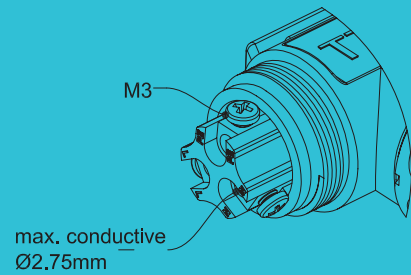
**GONTUANA**  
Waterproof Connector Series



Technical Specifications

Product Code  
WPT-0303M20/14

|                           |   |
|---------------------------|---|
| Number of Poles           | 3                                       |
| Voltage Rating            | 600VAC max.                             |
| Current Rating            | 20A max.                                |
| Cable Cross Section Area  | 0,5mm <sup>2</sup> ~ 2,5mm <sup>2</sup> |
| Durability Voltage        | 1500VAC@60s.                            |
| Insulation Structure      | 500 MΩ at 500VDC                        |
| Contact Resistance        | 10 mΩ max.                              |
| Min Wire Size OD          | 6,5mm ~ 10mm                            |
| Max Wire Size OD          | 10,5mm ~ 14mm                           |
| Temperature Rating        | -40°C ~ +85°C                           |
| IP Class                  | IP68 (10m / 60min)                      |
| Mold Material             | PA6                                     |
| Contact/Terminal Material | Nickel-Plated Brass                     |
| Seal Material             | Silicone                                |



# 2 Pin Pluggable Screw Connection Field Assembly

## Connectors

# WPM-WPF-WPP Series

2 pin  
250 VAC  
20A



WPM-0200M20

2 Pin Male Cable Type



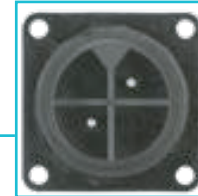
WPF-0200M20

2 Pin Female Cable Type



WPP-0200M20

2 Pin Male Panel Type



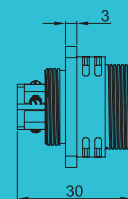
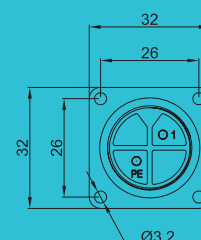
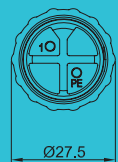
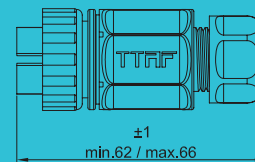
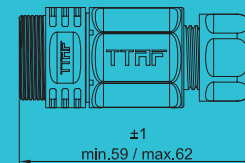
**GONTUANA**  
Waterproof Connector Series

### Technical Specifications

### Product Codes

|                           |   |
|---------------------------|---|
| Number of Poles           | 2                                       |
| Voltage Rating            | 250VAC max.                             |
| Current Rating            | 20A max.                                |
| Cable Cross Section Area  | 0,5mm <sup>2</sup> ~ 2,5mm <sup>2</sup> |
| Durability Voltage        | 3000VAC@60s.                            |
| Insulation Structure      | 500 MΩ at 500VDC                        |
| Contact Resistance        | 30 mΩ max.                              |
| Min Wire Size OD          | 6mm                                     |
| Max Wire Size OD          | 10mm                                    |
| Temperature Rating        | -40°C ~ +85°C                           |
| IP Class                  | IP68 (10m / 60min)                      |
| Mold Material             | PA6                                     |
| Contact/Terminal Material | Nickel-Plated Brass                     |
| Seal Material             | Silicone                                |

WPM-0200M20  
WPF-0200M20  
WPP-0200M20



# 3 Pin Pluggable Screw Connection Field Assembly

# WPM-WPF-WPP Series

## Connectors

3 pin  
250 VAC  
20A



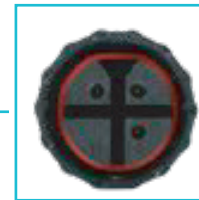
WPM-0300M20

3 Pin Male Cable Type



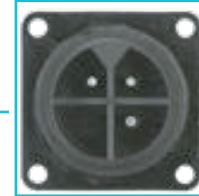
WPF-0300M20

3 Pin Female Cable Type



WPP-0300M20

3 Pin Male Panel Type



# GONTUANA

Waterproof Connector Series

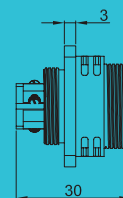
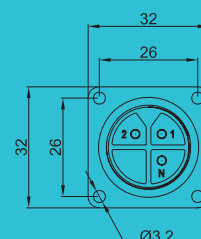
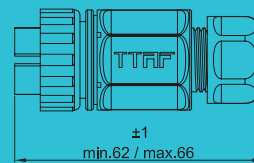
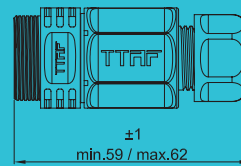
### Technical Specifications

Number of Poles  
Voltage Rating  
Current Rating  
Cable Cross Section Area  
Durability Voltage  
Insulation Structure  
Contact Resistance  
Min Wire Size OD  
Max Wire Size OD  
Temperature Rating  
IP Class  
Mold Material  
Contact/Terminal Material  
Seal Material

### Product Codes

WPM-0300M20  
WPF-0300M20  
WPP-0300M20

3  
250VAC max.  
20A max.  
0,5mm<sup>2</sup> ~ 2,5mm<sup>2</sup>  
3000VAC@60s.  
500 MΩ at 500VDC  
30 mΩ max.  
6mm  
10mm  
-40°C ~ +85°C  
IP68 (10m / 60min)  
PA6  
Nickel-Plated Brass  
Silicone



# 4 Pin Pluggable Screw Connection Field Assembly

## Connectors

# WPM-WPF-WPP Series

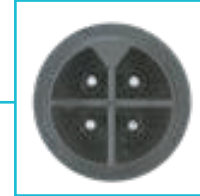
4 pin  
250 VAC  
20A

IP68  
10m / 60min



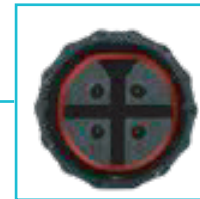
WPM-0400M20

4 Pin Male Cable Type



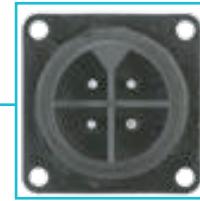
WPF-0400M20

4 Pin Female Cable Type



WPP-0400M20

4 Pin Male Panel Type



# GONTUANA

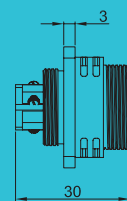
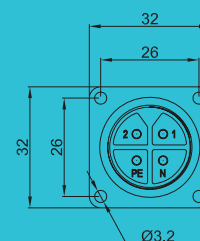
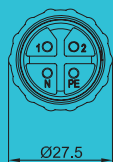
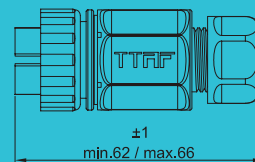
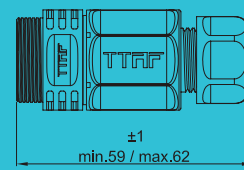
Waterproof Connector Series

### Technical Specifications

### Product Codes

WPM-0400M20  
WPF-0400M20  
WPP-0400M20

|                           |   |
|---------------------------|---|
| Number of Poles           | 4                                       |
| Voltage Rating            | 250VAC max.                             |
| Current Rating            | 20A max.                                |
| Cable Cross Section Area  | 0,5mm <sup>2</sup> ~ 2,5mm <sup>2</sup> |
| Durability Voltage        | 3000VAC@60s.                            |
| Insulation Structure      | 500 MΩ at 500VDC                        |
| Contact Resistance        | 30 mΩ max.                              |
| Min Wire Size OD          | 6mm                                     |
| Max Wire Size OD          | 10mm                                    |
| Temperature Rating        | -40°C ~ +85°C                           |
| IP Class                  | IP68 (10m / 60min)                      |
| Mold Material             | PA6                                     |
| Contact/Terminal Material | Nickel-Plated Brass                     |
| Seal Material             | Silicone                                |





# 3 Pin I Type Screw Connection Field Assembly

WPI Series

3 pin  
250 VAC  
20A

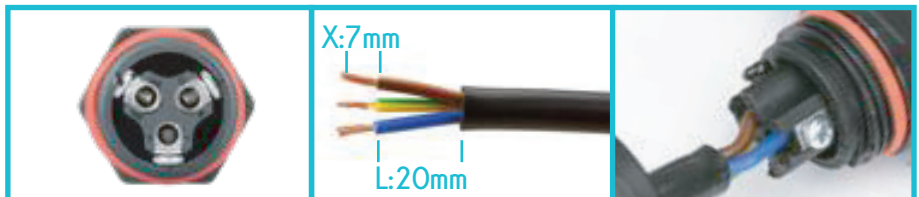
## Connector



CE EN 60309-1  
EN 60695-2  
EN 61984-2009



**GONTUANA**  
Waterproof Connector Series

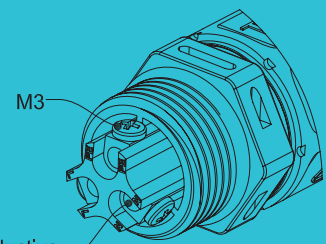


### Technical Specifications

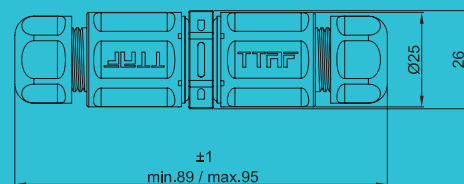
### Product Code

WPI-0302M20

|                           |   |
|---------------------------|---|
| Number of Poles           | 3                                       |
| Voltage Rating            | 250VAC max.                             |
| Current Rating            | 20A max.                                |
| Cable Cross Section Area  | 0,5mm <sup>2</sup> ~ 2.5mm <sup>2</sup> |
| Durability Voltage        | 1500VAC@60s.                            |
| Insulation Structure      | 500 MΩ at 500VDC                        |
| Contact Resistance        | 10 mΩ max.                              |
| Min Wire Size OD          | 6mm                                     |
| Max Wire Size OD          | 10mm                                    |
| Temperature Rating        | -40°C ~ +85°C                           |
| IP Class                  | IP68 (10m / 60min)                      |
| Mold Material             | PA6                                     |
| Contact/Terminal Material | Nickel-Plated Brass                     |
| Seal Material             | Silicone                                |



max. conductive  
Ø2.75mm



# 3 Pin I Type Screw Connection Field Assembly

WPI Series

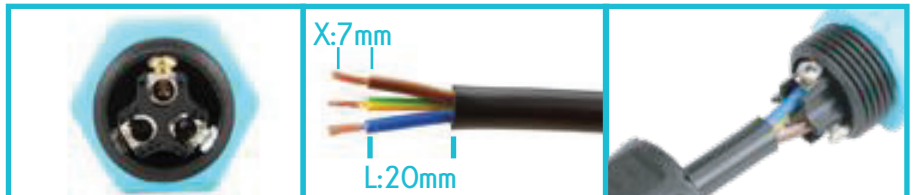
3 pin  
250 VAC  
20A



## Connectors



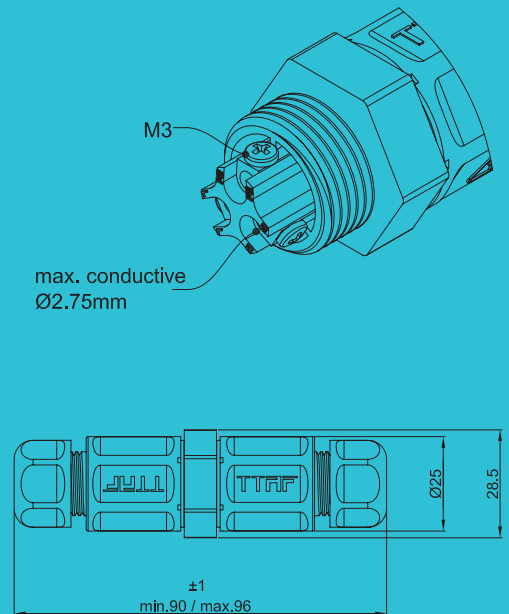
**GONTUANA**  
Waterproof Connector Series



### Technical Specifications

**Product Code**  
WPI-0302M20/U2

|                           |   |
|---------------------------|---|
| Number of Poles           | 3                                       |
| Voltage Rating            | 250VAC max.                             |
| Current Rating            | 20A max.                                |
| Cable Cross Section Area  | 0,5mm <sup>2</sup> ~ 2,5mm <sup>2</sup> |
| Durability Voltage        | 1500VAC@60s.                            |
| Insulation Structure      | 500 MΩ at 500VDC                        |
| Contact Resistance        | 10 mΩ max.                              |
| Min Wire Size OD          | 6mm                                     |
| Max Wire Size OD          | 10mm                                    |
| Temperature Rating        | -40°C ~ +85°C                           |
| IP Class                  | IP68 (10m / 60min)                      |
| Mold Material             | PA6                                     |
| Contact/Terminal Material | Nickel-Plated Brass                     |



3 Pin I Type  
Push in Wire  
Field Assembly

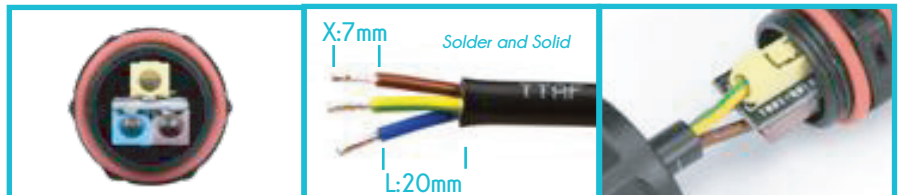
WPK Series

# Connector

3 pin  
250 VAC  
6A



**GONTUANA**  
Waterproof Connector Series



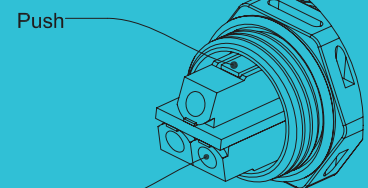
## Technical Specifications

Number of Poles  
Voltage Rating  
Current Rating  
Cable Cross Section Area  
Durability Voltage  
Insulation Structure  
Contact Resistance  
Min Wire Size OD  
Max Wire Size OD  
Operating Temperature  
IP Class  
Mold Material  
Terminal Type  
Contact Material  
Seal Material

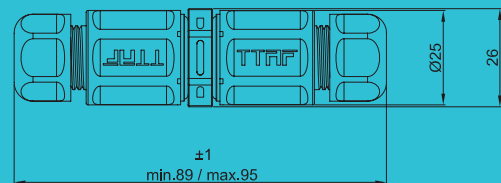
## Product Code

WPK-0302M6

3  
250VAC max.  
6A max.  
0,5mm<sup>2</sup> ~ 1,5mm<sup>2</sup>  
1250VAC@60s.  
1000 MΩ@1000V  
12 mΩ  
6mm  
10mm  
-40°C ~ +85°C  
IP68 (10m / 60min)  
PA6  
Push Button Screwless Terminal  
Phosphor Bronze, Tin-Plated  
Silicone



max. conductive  
Ø1.5mm



# 3 Pin Panel Type Screw Connection Field Assembly

WPP Series

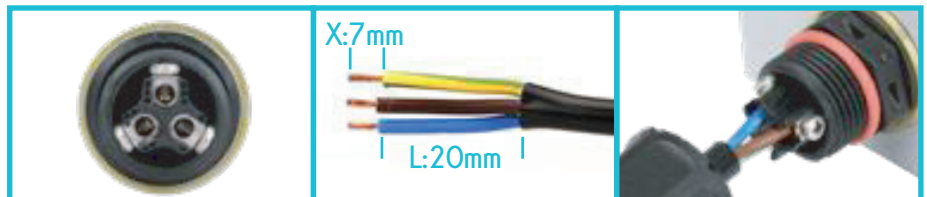
## Connector

3 pin  
250 VAC  
20A

IP68  
10m / 60min



**GONTUANA**  
Waterproof Connector Series

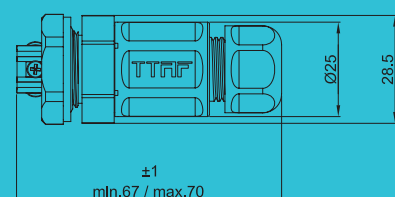
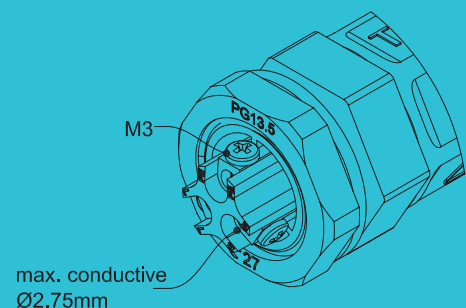


### Technical Specifications

### Product Code

WPP-0302M20

|                           |   |
|---------------------------|---|
| Number of Poles           | 3                                       |
| Voltage Rating            | 250VAC max.                             |
| Current Rating            | 20A max.                                |
| Cable Cross Section Area  | 0,5mm <sup>2</sup> ~ 2,5mm <sup>2</sup> |
| Durability Voltage        | 1500VAC@60s.                            |
| Contact Resistance        | 10 mΩ max.                              |
| Insulation Structure      | 500 MΩ at 500VDC                        |
| Min Wire Size OD          | 6mm                                     |
| Max Wire Size OD          | 10mm                                    |
| Temperature Rating        | -40°C ~ +85°C                           |
| IP Class                  | IP68 (10m / 60min)                      |
| Mold Material             | PA6                                     |
| Contact/Terminal Material | Nickel-Plated Brass                     |
| Seal Material             | Silicone                                |
| Chasis Hole Dia           | Ø16mm                                   |
| Chasis max. Thickness     | 3,5mm                                   |



# 3 Pin T Type Screw Connection Field Assembly

WPT Series

3 pin  
250 VAC  
20A

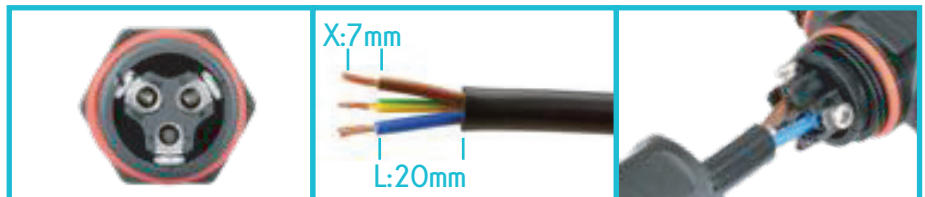
## Connector



CE EN 60309-1  
EN 60695-2  
EN 61984-2009



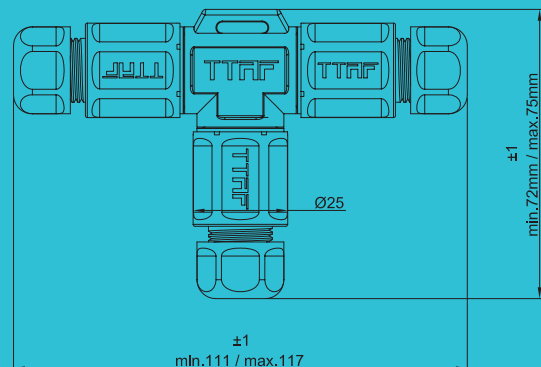
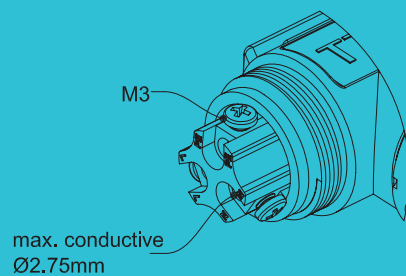
**GONTUANA**  
Waterproof Connector Series



### Technical Specifications

**Product Code**  
WPT-0303M20

|                           |   |
|---------------------------|---|
| Number of Poles           | 3                                       |
| Voltage Rating            | 250VAC max.                             |
| Current Rating            | 20A max.                                |
| Cable Cross Section Area  | 0,5mm <sup>2</sup> ~ 2,5mm <sup>2</sup> |
| Durability Voltage        | 1500VAC@60s.                            |
| Insulation Structure      | 500 MΩ at 500VDC                        |
| Contact Resistance        | 10 mΩ max.                              |
| Min Wire Size OD          | 6mm                                     |
| Max Wire Size OD          | 10mm                                    |
| Temperature Rating        | -40°C ~ +85°C                           |
| IP Class                  | IP68 (10m / 60min)                      |
| Mold Material             | PA6                                     |
| Contact/Terminal Material | Nickel-Plated Brass                     |
| Seal Material             | Silicone                                |



# 6 Pin Power T Type Screw Connection Field Assembly

## Connector

WPT Series

6 pin  
250 VAC  
25A



**GONTUANA**  
Waterproof Connector Series

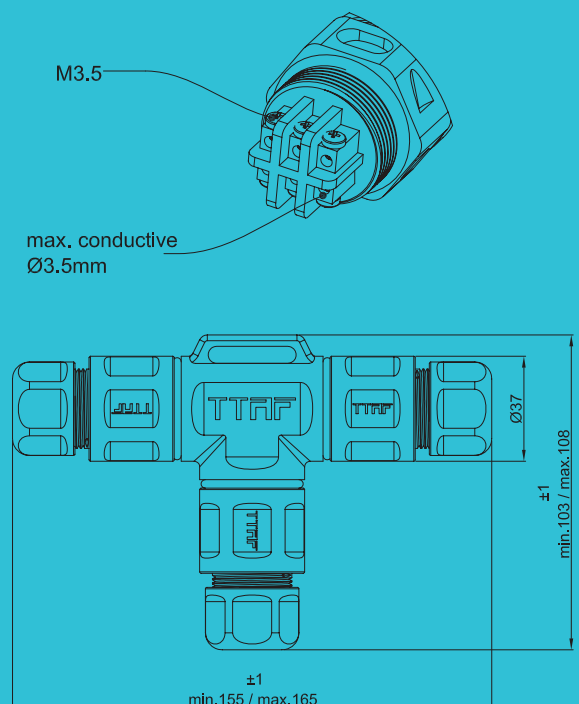


### Technical Specifications

Number of Poles  
Voltage Rating  
Current Rating  
Cable Cross Section Area  
Durability Voltage  
Insulation Structure  
Contact Resistance  
Min Wire Size OD  
Max Wire Size OD  
Temperature Rating  
IP Class  
Mold Material  
Contact/Terminal Material  
Seal Material

### Product Code WPT-0603M25

6  
250VAC max.  
25A max.  
0,75mm<sup>2</sup> ~ 4mm<sup>2</sup>  
1500VAC@60s.  
1000 MΩ at 1000VDC  
10 mΩ max.  
10mm  
14mm  
-40°C ~ +85°C  
IP68 (10m / 60min)  
PA6  
Nickel-Plated Brass  
Silicone



# 6 Pin Power I Type Screw Connection Field Assembly

## Connector

WPI Series

6 pin  
250 VAC  
25A



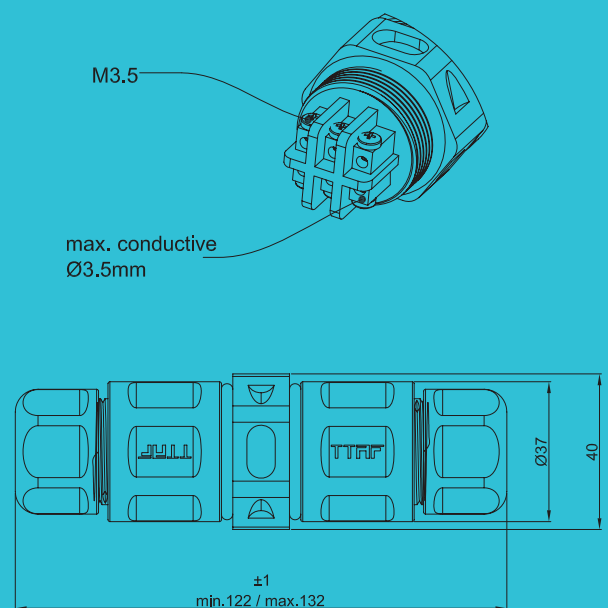
**GONTUANA**  
Waterproof Connector Series



### Technical Specifications

### Product Code WPI-0602M25

|                           |  |
|---------------------------|--|
| Number of Poles           | 6                                      |
| Voltage Rating            | 250VAC max.                            |
| Current Rating            | 25A max.                               |
| Cable Cross Section Area  | 0,75mm <sup>2</sup> ~ 4mm <sup>2</sup> |
| Durability Voltage        | 1500VAC@60s.                           |
| Insulation Structure      | 1000 MΩ at 1000VDC                     |
| Contact Resistance        | 1 mΩ max.                              |
| Min Wire Size OD          | 10mm                                   |
| Max Wire Size OD          | 14mm                                   |
| Temperature Rating        | -40°C ~ +85°C                          |
| IP Class                  | IP68 (10m / 60min)                     |
| Mold Material             | PA6                                    |
| Contact/Terminal Material | Nickel-Plated Brass                    |
| Seal Material             | Silicone                               |



# 3 Power + 6 Data I Type Screw Connection Field Assembly

## Connector

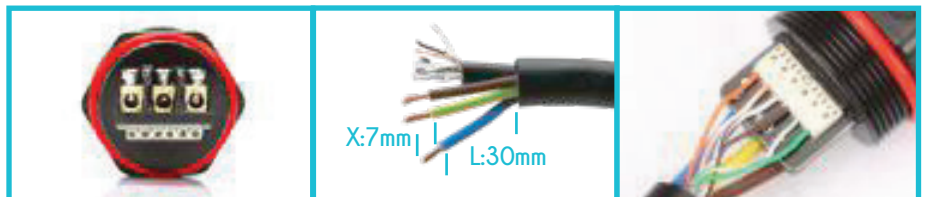
WPI Series

3 Power + 6 Data  
250 VAC Power, 50 VDC Data  
25A Power + 1A Data



Cable Code : KBL-9144

**GONTUANA**  
Waterproof Connector Series



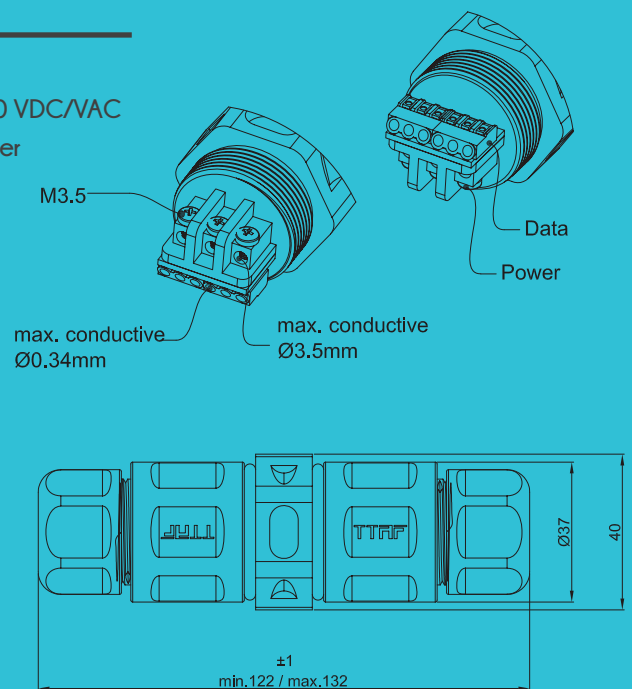
### Technical Specifications

Number of Poles  
Voltage Rating  
Current Rating  
Cable Cross Section Area  
Durability Voltage  
Insulation Structure  
Contact Resistance  
Min Wire Size OD  
Max Wire Size OD  
Temperature Rating  
IP Class  
Mold Material  
Contact/Terminal Material  
Seal Material

### Product Code

WPI-3602M25

3 Power + 6 Data  
Power: 250VAC max. + Data: 50 VDC/VAC  
Power: 25A max. + Data: 1 Amper  
Power: 2.5mm<sup>2</sup> - Data: 0,2mm<sup>2</sup>  
1500VAC@60s.  
1000 MΩ at 1000VDC  
1 mΩ max.  
10mm  
14mm  
-40°C ~ +85°C  
IP68 (10m / 60min)  
PA6  
Nickel-Plated Brass  
Silicon





# Electrical Splitter

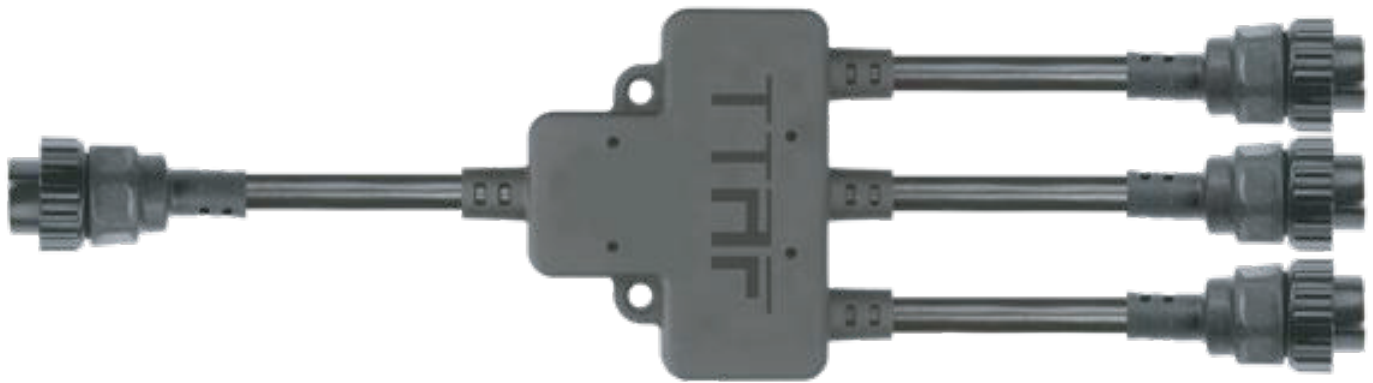
2 pin  
250 VAC  
20A



# 1x3

1in 3 out

# 2 Pin



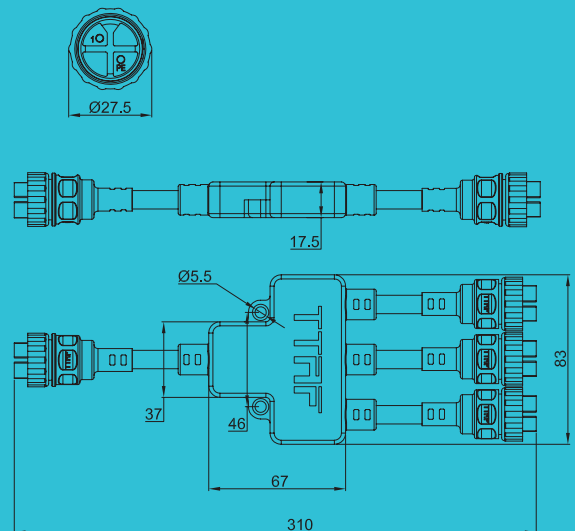
**FOBOS**<sup>®</sup>  
Waterproof Electrical Splitter Series



## Technical Specifications

## Product Code WPS-0204N20F

|                           |                     |
|---------------------------|---------------------|
| Number of Poles           | 2                   |
| Voltage Rating            | 250VAC max.         |
| Current Rating            | 20A max.            |
| Durability Voltage        | 3000VAC@60s.        |
| Insulation Structure      | 500 MΩ at 500VDC    |
| Contact Resistance        | 30 mΩ max.          |
| Temperature Rating        | -40°C ~ +85°C       |
| IP Class                  | IP68 (10m / 60min)  |
| Mold Material             | PA6                 |
| Contact/Terminal Material | Nickel-Plated Brass |
| Seal Material             | Silicone            |



# 3 Pin Male Pluggable Field Assembly 1in 3 out

WPS Series

## Electrical Splitter

3 pin  
250 VAC  
20A



**1x3**  
1in 3 out

**3 Pin**



**FOBOS®**  
Waterproof Electrical Splitter Series

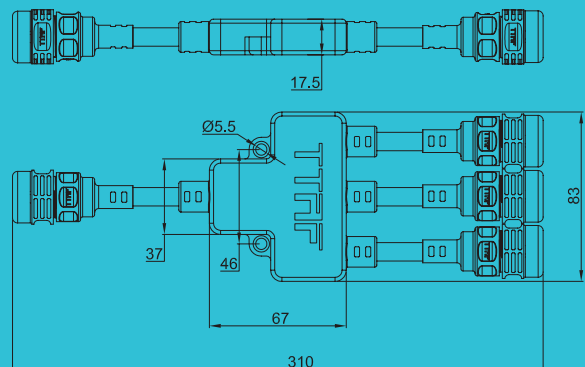


### Technical Specifications

Number of Poles  
Voltage Rating  
Current Rating  
Durability Voltage  
Insulation Structure  
Contact Resistance  
Temperature Rating  
IP Class  
Mold Material  
Contact/Terminal Material  
Seal Material

### Product Code WPS-0304N20M

3  
250VAC max.  
20A max.  
3000VAC@60s.  
500 MΩ at 500VDC  
30 mΩ max.  
-40°C ~ +85°C  
IP68 (10m / 60min)  
PA6  
Nickel-Plated Brass  
Silicone



# Electrical Splitter

2 pin  
250 VAC  
20A



**1x3**  
1in 3 out

**2 Pin**



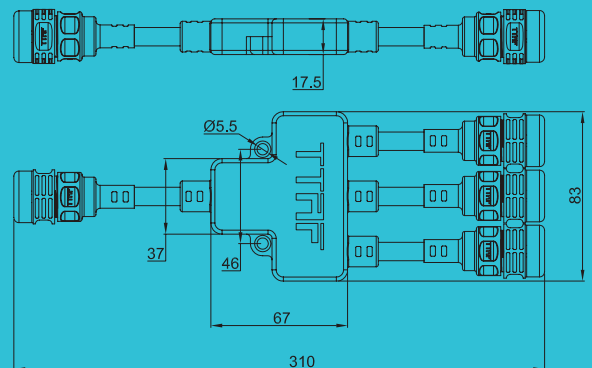
**FOBOS**  
Waterproof Electrical Splitter Series



## Technical Specifications

**Product Code**  
WPS-0204N20M

|                           |                     |
|---------------------------|---------------------|
| Number of Poles           | 2                   |
| Voltage Rating            | 250VAC max.         |
| Current Rating            | 20A max.            |
| Durability Voltage        | 3000VAC@60s.        |
| Insulation Structure      | 500 MΩ at 500VDC    |
| Contact Resistance        | 30 mΩ max.          |
| Temperature Rating        | -40°C ~ +85°C       |
| IP Class                  | IP68 (10m / 60min)  |
| Mold Material             | PA6                 |
| Contact/Terminal Material | Nickel-Plated Brass |
| Seal Material             | Silicone            |



# 3 Pin Female Pluggable Field Assembly 1in 3 out

WPS Series

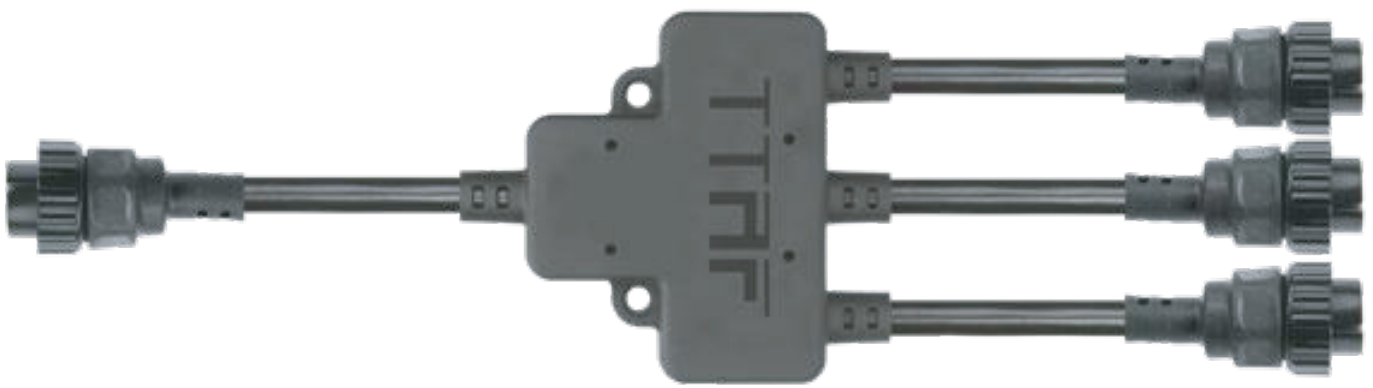
## Electrical Splitter

3 pin  
250 VAC  
20A



**1x3**  
1in 3 out

**3 Pin**



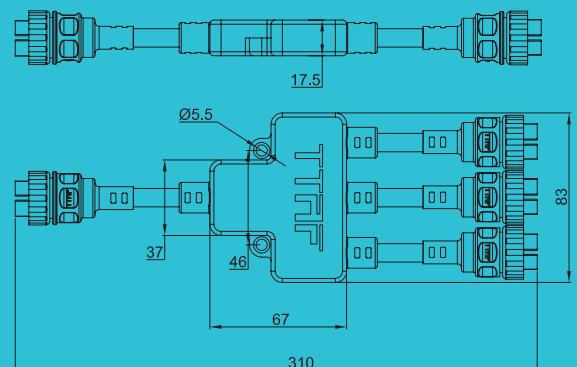
**FOBOS®**  
Waterproof Electrical Splitter Series



### Technical Specifications

**Product Code**  
WPS-0304N20F

|                           |                     |
|---------------------------|---------------------|
| Number of Poles           | 3                   |
| Voltage Rating            | 250VAC max.         |
| Current Rating            | 20A max.            |
| Durability Voltage        | 3000VAC@60s.        |
| Insulation Structure      | 500 MΩ at 500VDC    |
| Contact Resistance        | 30 mΩ max.          |
| Temperature Rating        | -40°C ~ +85°C       |
| IP Class                  | IP68 (10m / 60min)  |
| Mold Material             | PA6                 |
| Contact/Terminal Material | Nickel-Plated Brass |
| Seal Material             | Silicone            |



# 4 Pin Male Pluggable Field Assembly 1in 3 out

WPS Series

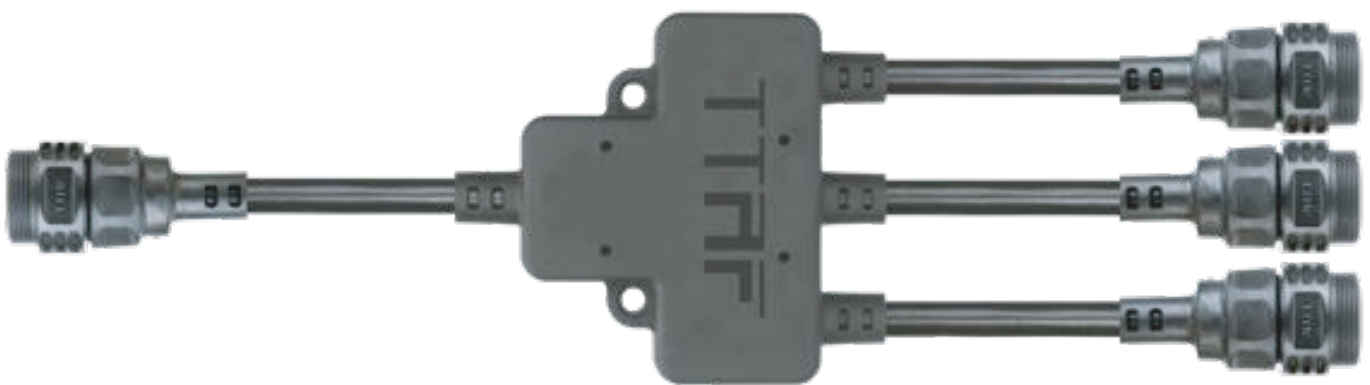
## Electrical Splitter

4 pin  
250 VAC  
20A



**1x3**  
1in 3 out

**4 Pin**



**FOBOS**<sup>®</sup>  
Waterproof Electrical Splitter Series



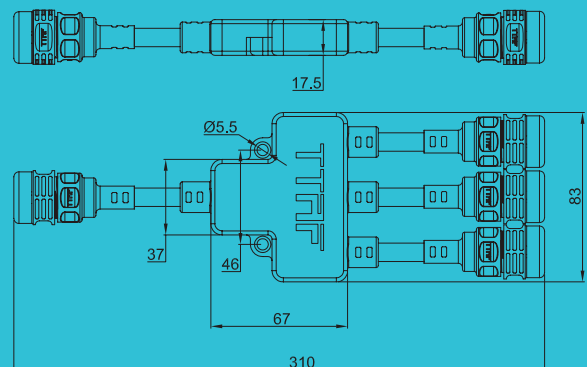
### Technical Specifications

Number of Poles  
Voltage Rating  
Current Rating  
Durability Voltage  
Insulation Structure  
Contact Resistance  
Temperature Rating  
IP Class  
Mold Material  
Contact/Terminal Material  
Seal Material

### Product Code

WPS-0404N20M

4  
250VAC max.  
20A max.  
3000VAC@60s.  
500 MΩ at 500VDC  
30 mΩ max.  
-40°C ~ +85°C  
IP68 (10m / 60min)  
PA6  
Nickel-Plated Brass  
Silicone



# 4 Pin Female Pluggable Field Assembly 1in 3 out

WPS Series

## Electrical Splitter

4 pin  
250 VAC  
20A



**1x3**  
1in 3 out

**4 Pin**



**FOBOS®**  
Waterproof Electrical Splitter Series

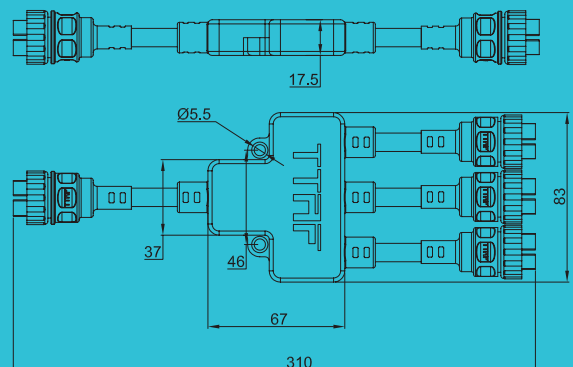


### Technical Specifications

Number of Poles  
Voltage Rating  
Current Rating  
Durability Voltage  
Insulation Structure  
Contact Resistance  
Temperature Rating  
IP Class  
Mold Material  
Contact/Terminal Material  
Seal Material

### Product Code WPS-0404N20F

4  
250VAC max.  
20A max.  
3000VAC@60s.  
500 MΩ at 500VDC  
30 mΩ max.  
-40°C ~ +85°C  
IP68 (10m / 60min)  
PA6  
Nickel-Plated Brass  
Silicone



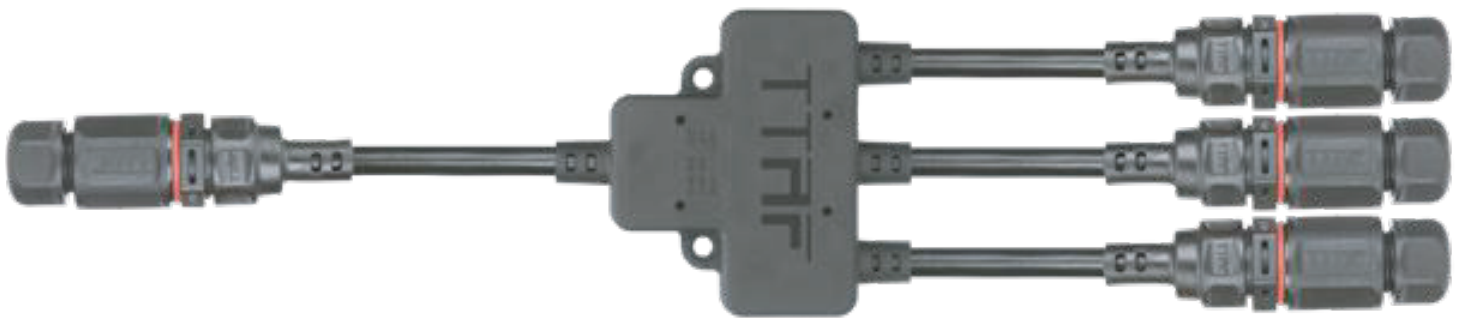
# Electrical Splitter

3 pin  
250 VAC  
20A



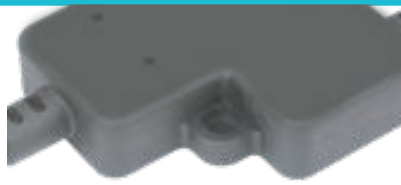
**1x3**  
1in 3 out

**3 Pin**



**FOBOS**<sup>®</sup>

Waterproof Electrical Splitter Series



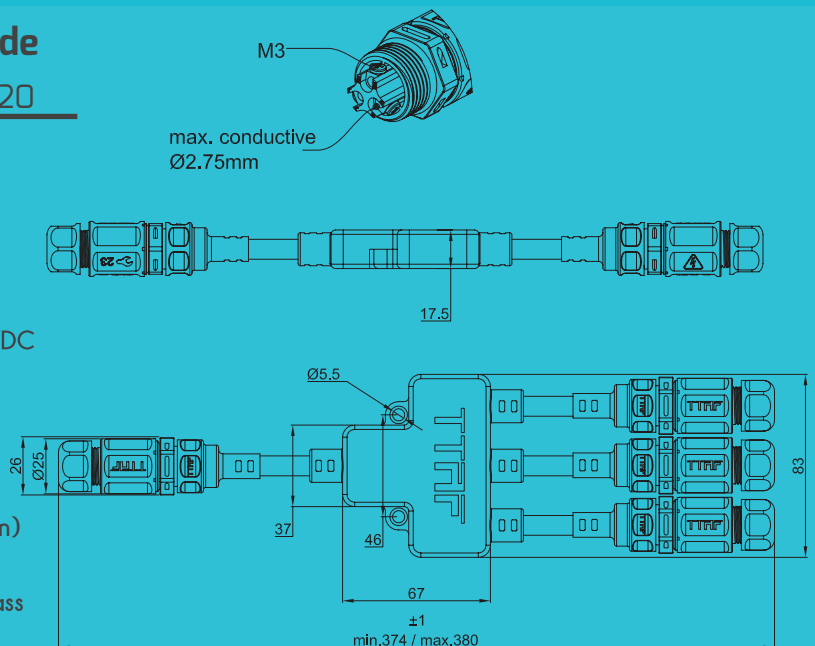
## Technical Specifications

Number of Poles  
Voltage Rating  
Current Rating  
Cable Cross Section Area  
Durability Voltage  
Insulation Structure  
Contact Resistance  
Min Wire Size OD  
Max Wire Size OD  
Temperature Rating  
IP Class  
Mold Material  
Contact/Terminal Material  
Seal Material

## Product Code

WPA-0304N20

3  
250VAC max.  
20A max.  
0,5mm<sup>2</sup> ~ 2,5mm<sup>2</sup>  
1000VAC@60s.  
500 MΩ at 500VDC  
10 mΩ max  
6mm  
10mm  
-40°C ~ +85°C  
IP68 (10m / 60min)  
PA6  
Nickel-Plated Brass  
Silicone



# 3 Pin Screw Connection Field Assembly 1in 5 out

WPA Series

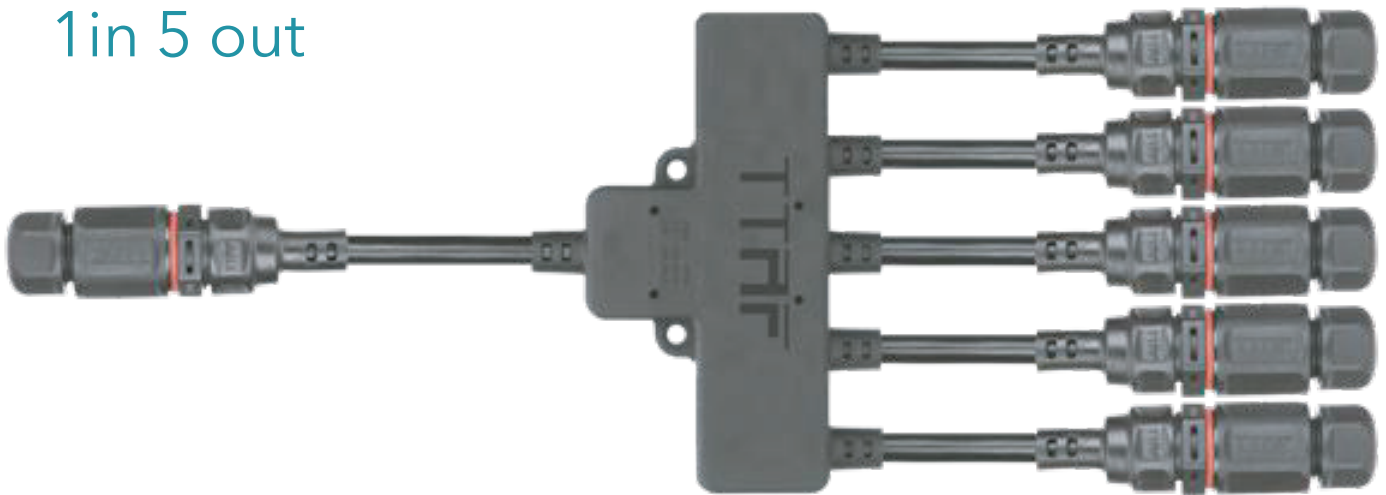
## Electrical Splitter

3 pin  
250 VAC  
20A



**1x5**  
1 in 5 out

**3 Pin**



**FOBOS**<sup>®</sup>

Waterproof Electrical Splitter Series

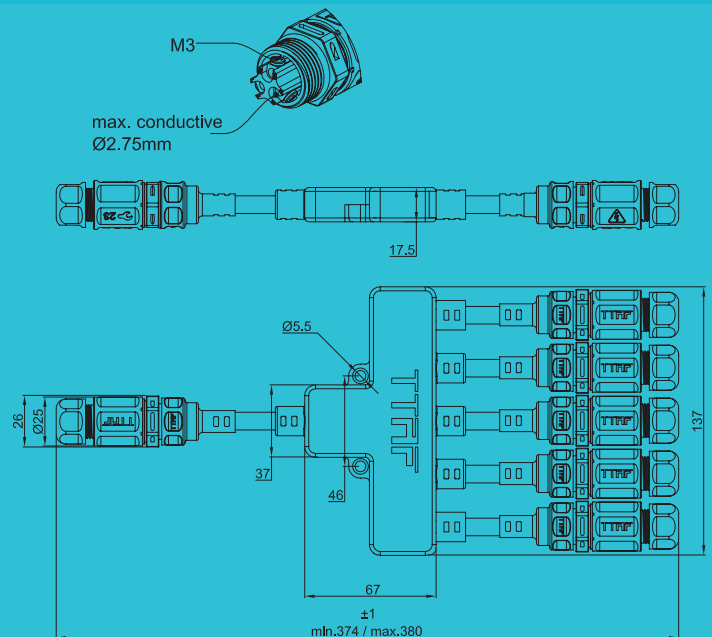


### Technical Specifications

### Product Code

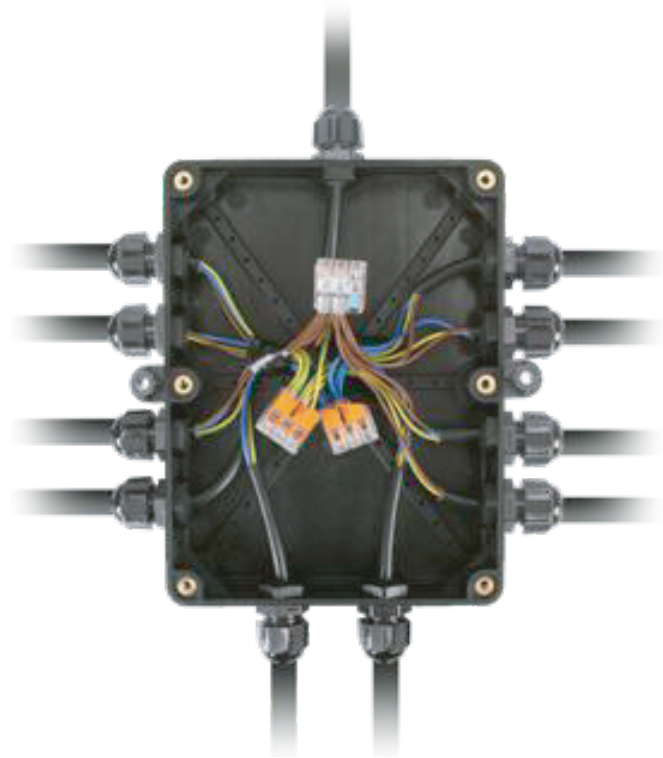
WPA-0306N20

|                           |   |
|---------------------------|---|
| Number of Poles           | 3                                       |
| Voltage Rating            | 250VAC max.                             |
| Current Rating            | 20A max.                                |
| Cable Cross Section Area  | 0,5mm <sup>2</sup> ~ 2,5mm <sup>2</sup> |
| Durability Voltage        | 1000VAC@60s.                            |
| Insulation Structure      | 500 MΩ at 500VDC                        |
| Min Wire Size OD          | 6mm                                     |
| Max Wire Size OD          | 10mm                                    |
| Temperature Rating        | -40°C ~ +85°C                           |
| IP Class                  | IP68 (10m / 60min)                      |
| Mold Material             | PA6                                     |
| Contact/Terminal Material | Nickel-Plated Brass                     |
| Seal Material             | Silicone                                |





# Electrical Splitter



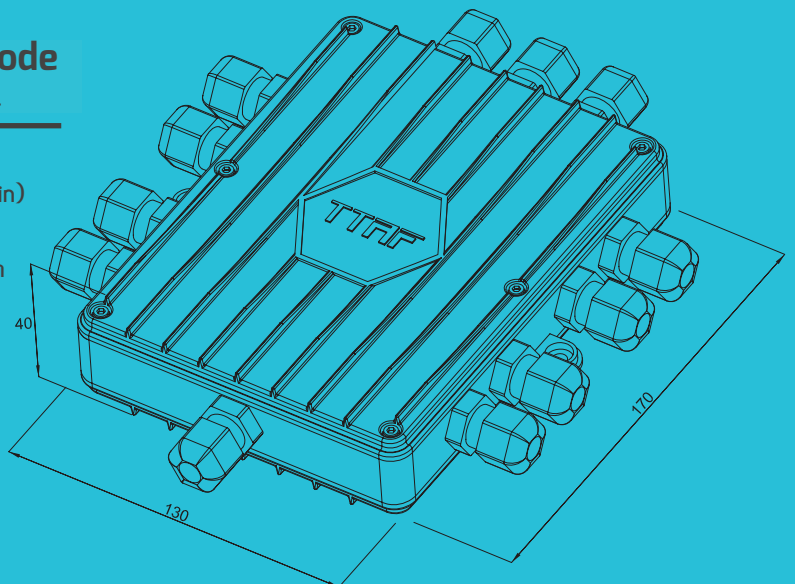
## Technical Specifications

Temperature Rating  
 IP Class  
 Mold Material  
 Dimensions  
 Cable Gland Max Diameter

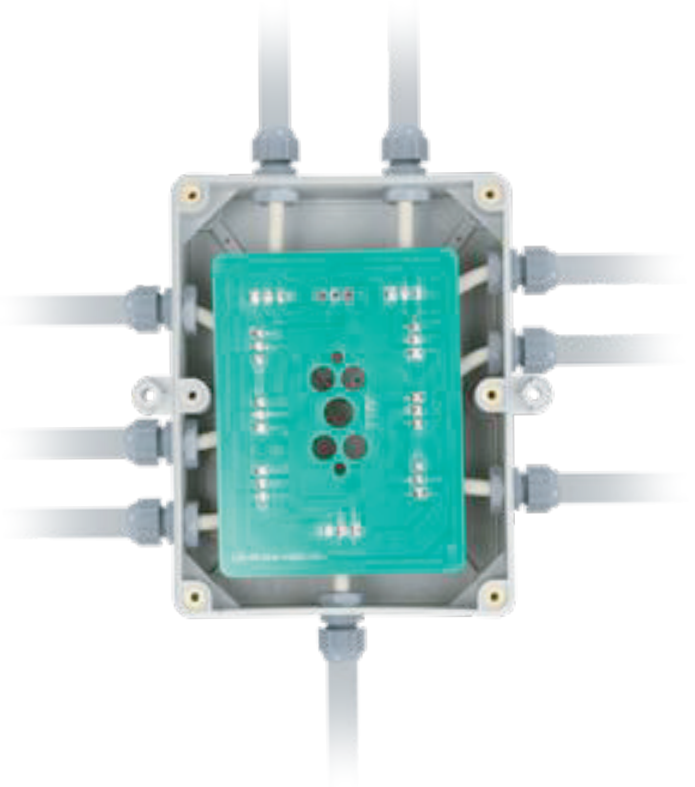
## Product Code

WP BOX-04

-40°C ~ +85°C  
 IP68 (2m / 60min)  
 ABS, PP  
 170x130x40mm  
 14mm



# Electrical Splitter

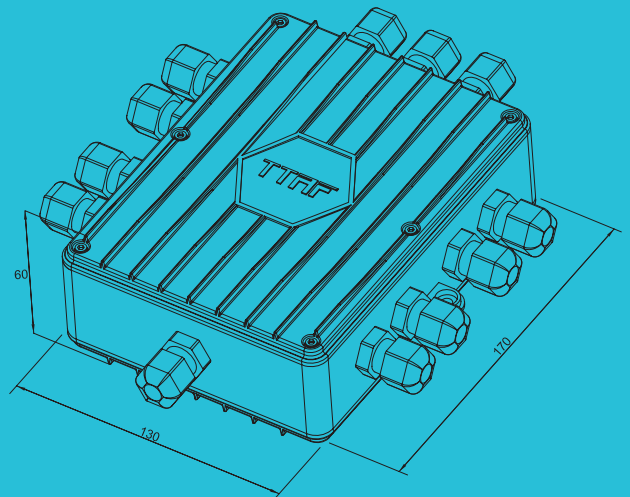


### Technical Specifications

Temperature Rating  
 IP Class  
 Mold Material  
 Dimensions  
 Cable Gland Max Diameter

### Product Code

WP BOX-05  
 -40°C ~ +85°C  
 IP68 (2m / 60min)  
 ABS, PP  
 170x130x60mm  
 14mm



# Cable Joiner



IPJ50 is a cable joiner with IP68 sealing feature when it is closed and **inner diameter of 50mm**.

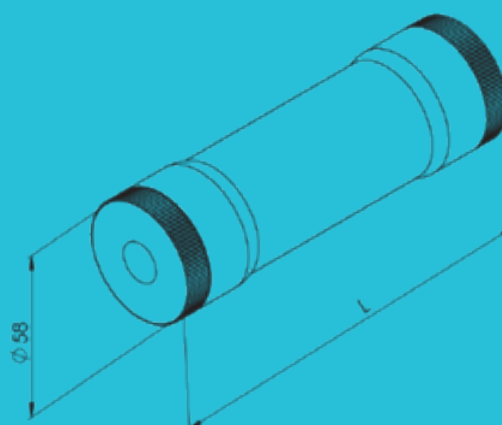
You can connect two cables with any connector without sealing feature inside IPJ50. There is no need for a chemical as in case of equivalent connectors.



| Product Code | Cable Gland Size | Length (L) mm | Handtool Size | Cable OD Ømin-max mm |
|--------------|------------------|---------------|---------------|----------------------|
| IPJ50-3      | M 12 x 1,5       | 204           | 14            | 3 - 6,5              |
| IPJ50-4      | M 16 x 1,5       | 206           | 17 - 18       | 4 - 8                |
| IPJ50-6      | M 20 x 1,5       | 213           | 22            | 6 - 12               |
| IPJ50-10     | M 25 x 1,5       | 216           | 24 - 27       | 10 - 14              |
| IPJ50-13     | M 32 x 1,5       | 223           | 30 - 34       | 13 - 18              |
| IPJ50-18     | M 40 x 1,5       | 236           | 40 - 43       | 18 - 25              |

## Technical Specifications

|                       |                          |
|-----------------------|--------------------------|
| Body Material         | Cast Polyamide           |
| IP Class              | IP68                     |
| Operating Temperature | -40°C ~ +100°C           |
| Inner Diameter        | 50mm                     |
| Sealing Ring          | Silicone                 |
| Outer Diameter        | 58mm                     |
| Cap nut & Gland Body  | Brass With Nickel Plated |
| Clamping Insert       | PA6 V2                   |
| Gland Sealing Ring    | TPV                      |
| Gland O-ring          | NBR                      |

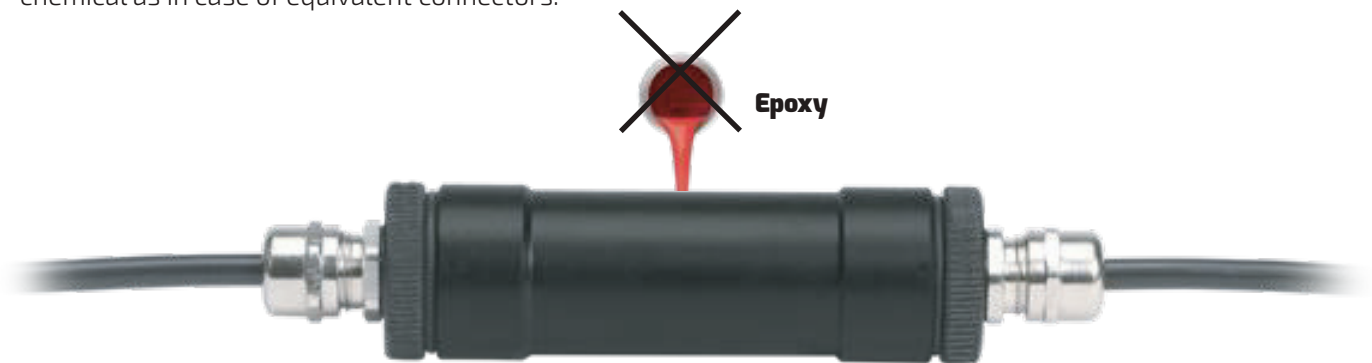


# Cable Joiner



IPJ24 is a cable joiner with IP68 sealing feature when it is closed and **inner diameter of 24mm**.

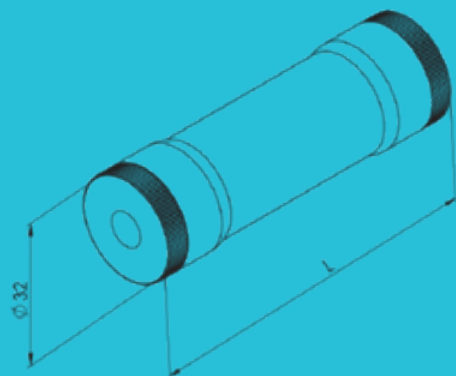
You can connect two cables with any connector without sealing feature inside IPJ24. There is no need for a chemical as in case of equivalent connectors.



| Product Code | Cable Gland Size | Length (L) mm | Handtool Size | Cable OD Ømin-max mm |
|--------------|------------------|---------------|---------------|----------------------|
| IPJ24-3      | M 12 x 1,5       | 154           | 14            | 3 - 6,5              |
| IPJ24-4      | M 16 x 1,5       | 156           | 17 - 18       | 4 - 8                |
| IPJ24-6      | M 20 x 1,5       | 163           | 22            | 6 - 12               |

## Technical Specifications

|                       |                          |
|-----------------------|--------------------------|
| Body Material         | Cast Polyamide           |
| IP Class              | IP68                     |
| Operating Temperature | -40°C ~ +100°C           |
| Inner Diameter        | 24mm                     |
| Sealing Ring          | Silicone                 |
| Outer Diameter        | 32mm                     |
| Cap nut & Gland Body  | Brass With Nickel Plated |
| Clamping Insert       | PA6 V2                   |
| Gland Sealing Ring    | TPV                      |
| Gland O-ring          | NBR                      |

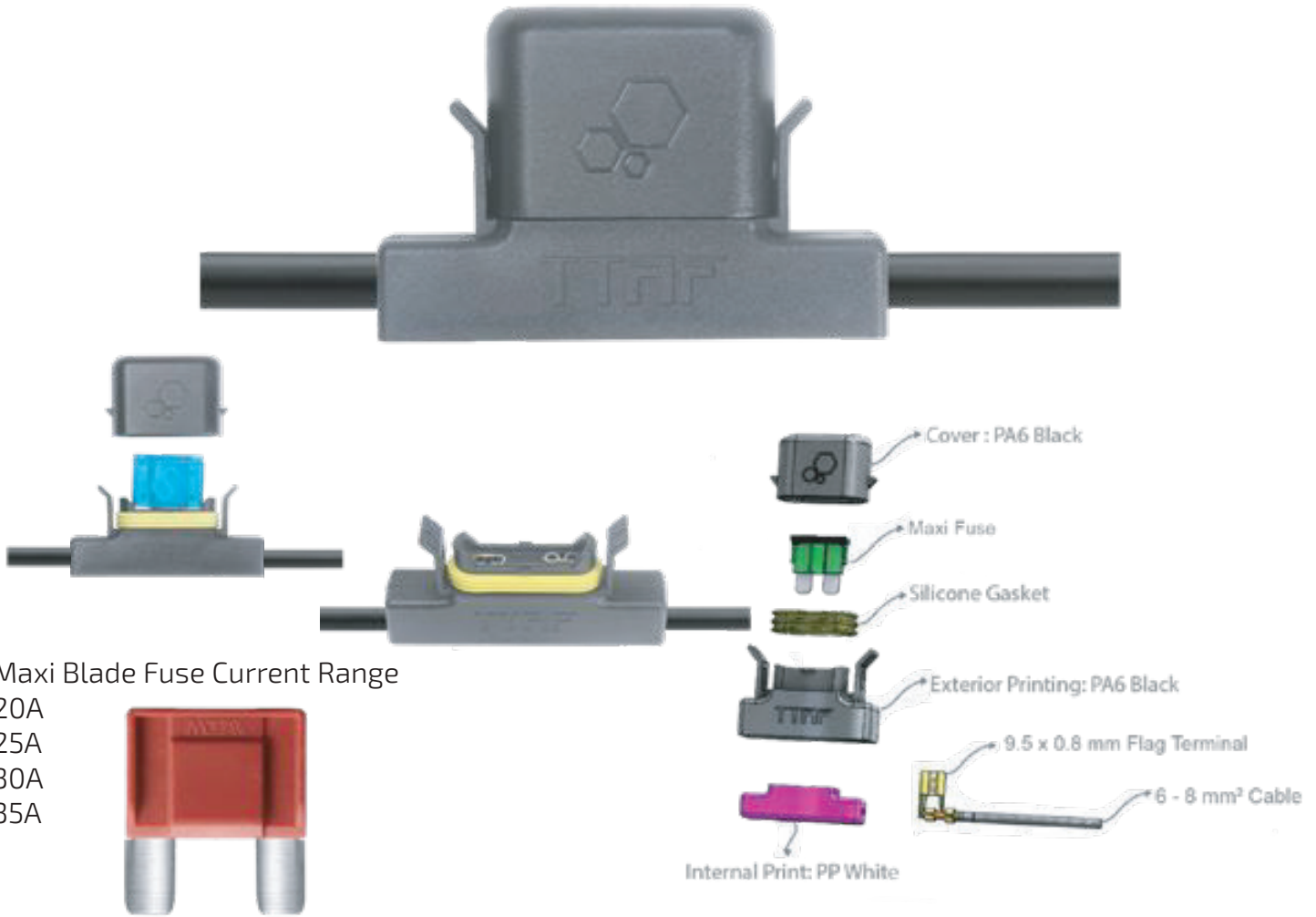


## Maxi Blade Fuse Type



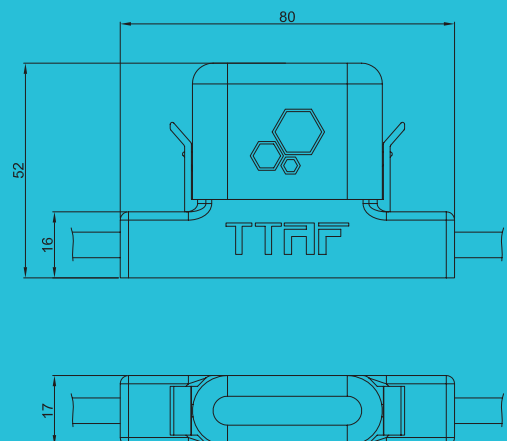
WFH-M overmolded, heavy-duty & waterproof inline fuse holder for maxi blade fuses with protective cover for harsh environments.

20 to 35 amps. Supplied 6mm<sup>2</sup> (AWG10) cable



### Technical Specifications

|                       |                          |
|-----------------------|--------------------------|
| Body Material         | PA6                      |
| IP Class              | IP66                     |
| Operating Temperature | -40°C ~ +100°C           |
| Contact Material      | Brass With Nickel Plated |
| Sealing Ring          | Silicone                 |
| Max. Current Range    | 35A                      |

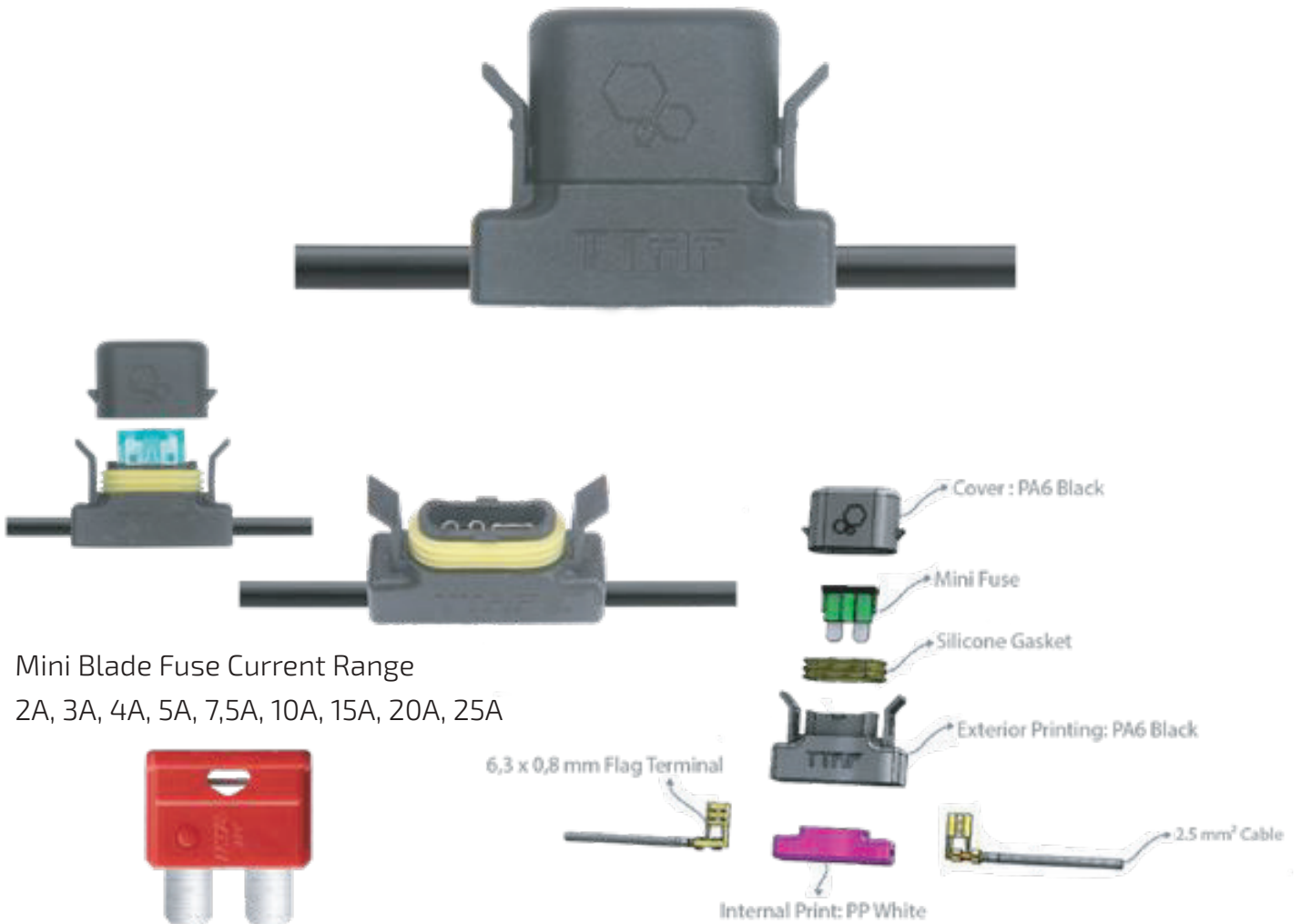


## Mini Blade Fuse Type



WFH-K overmolded, heavy-duty & waterproof inline fuse holder for mini blade fuses with protective cover for harsh environments.

2 to 25 amps. Supplied 2.5mm<sup>2</sup> (AWG14) cable



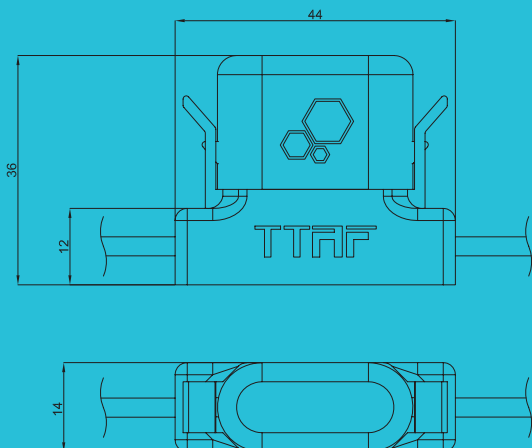
Mini Blade Fuse Current Range

2A, 3A, 4A, 5A, 7,5A, 10A, 15A, 20A, 25A



### Technical Specifications

|                       |                          |
|-----------------------|--------------------------|
| Body Material         | PA6                      |
| IP Class              | IP66                     |
| Operating Temperature | -40°C ~ +100°C           |
| Contact Material      | Brass With Nickel Plated |
| Sealing Ring          | Silicone                 |
| Max. Current Range    | 25A                      |



TTAF®

Kavaklı Mahallesi, İstanbul Caddesi, No: 21

Beylikdüzü - İstanbul / Türkiye

Tel: +90 212 855 82 20

Fax: +90 212 855 82 21

[www.ttaf.com.tr](http://www.ttaf.com.tr)

[export@ttaf.com.tr](mailto:export@ttaf.com.tr)



**ttaf**electronic

