

VBR1/D0-3A

vibration and inclination sensor

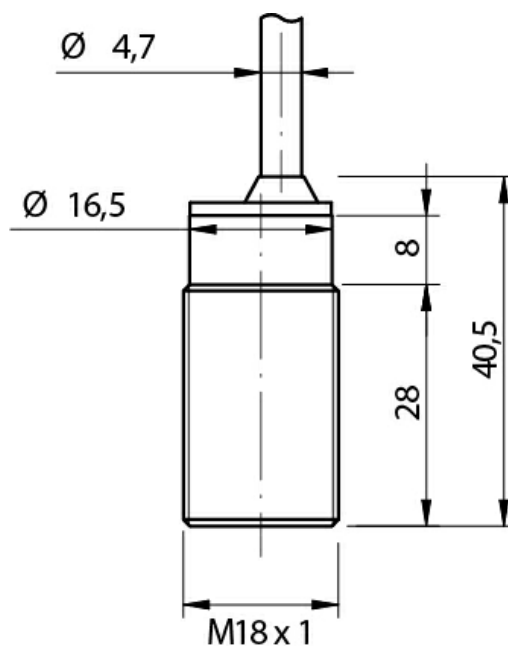


Micro Detectors

Italian Sensors Technology



Indicative image



Detection properties

Operative range	$\pm 2g$; $\pm 4g$; $\pm 8g$; $\pm 16g$ (selectable)
Resolution	15,62mg @ $\pm 2g$ 31,25mg @ $\pm 4g$ 62,50mg @ $\pm 8g$ 125mg @ $\pm 16g$
Detection Axes	3 (X, Y, Z)

Application

Technology	MEMS
------------	------

Outputs

Output type	Digital + Analogue (I/V selectable)
Output Function	Vibration amplitude
Digital Output	RS485 57600 baud rate - 1 bit stop - no parity
Voltage Analogue Output	0...5V / 0...10V (selectable)
Current Analogue Output	4...20mA / 0...20mA / 0...24mA (selectable)

Electrical data

Operating Voltage	19,2 ... 28,8 Vdc
LED indicators	Green: Run mode Yellow: writing/programming memory Blue: transit of RS485 packet data Red: Interrupt active
Reverse Polarity Protection	Yes
Impulsive Overvoltage Protection	Yes
Power Consumption	< 1 W
Frequency Range	0 ... 400Hz
Digital Resolution	16 bit @RS485 (complementary to 2)
Analogue Resolution	12 bit
Load Resistor (Voltage)	1k Ω ... 1M Ω
Load Resistor (Current)	100 ... 500 Ω

Mechanical data

Dimensions	M18
Housing Material	Stainless steel AISI316L (body) Grilamid (cable exit)
Connections	2 m - 5 poles cable
Active Head Material	Stainless steel AISI316L
Operating temperature	-25°C ...+70°C
Storage temperature	-30°C ... + 90°C (without ice)
humidity	< 80% (without condensation)

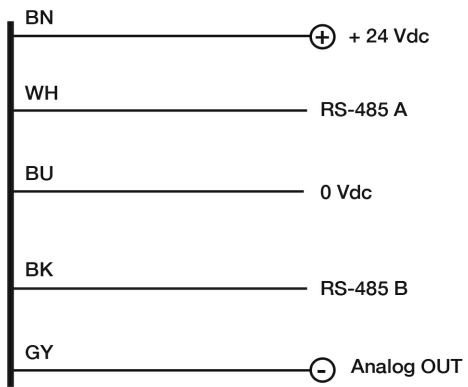
Test/Approvals

Approvals	CE
Degree of protection	IP67

Accessories

Supplied Accessories	2 x nuts
----------------------	----------

ELECTRICAL DIAGRAMS OF THE CONNECTIONS



M.D.Micro Detectors S.p.A.

Strada S.Caterina, 235

41122 Modena (MO)

Tel. 059 420411

Fax 059 253973

E-mail info@microdetectors.com

date of printing

11/06/2021 21:33:39