

# C12P/00-3A

capacitive

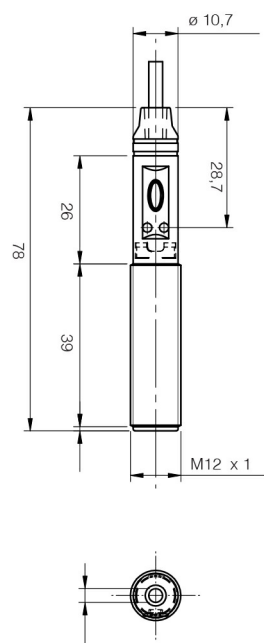


Micro Detectors

Italian Sensors Technology



Indicative image



## Detection properties

Nominal sensing distance 0,5...4mm shielded; 0,5...8mm unshielded

Thermal drift of Sr < 20%

Repeat Accuracy 5%

Sensitivity adjustment Ja - auto teach

Hysteresis ≤ 20%

## Outputs

Output type PNP + NPN

Output Function NO + NC

Switching frequency ≤15Hz

## Electrical data

Operating Voltage 10...40Vdc

No-Load supply current	≤ 12mA
Load current	≤ 200mA
Leakage current	≤ 300μA
Output voltage drop	≤ 2,5V @ IL = 200mA
Max ripple content	≤10%
LED indicators	Yellow LED (object detected), green LED power supply/stability
Time delay before availability	≤ 200ms
Short-circuit protection	polarity reversal, overvoltage
Reverse Polarity Protection	Yes
Impulsive Overvoltage Protection	Yes

## Mechanical data

Mounting	Shielded/Unshielded
Dimensions	M12 x 1 / L = 78mm
Weight	110g
Housing Material	Polyester
Connections	2m PVC cable
Active Head Material	thermoplastic polyester
Operating temperature	-35°C...+85°C (without freeze)
Storage temperature	-40°C...+85°C
Diameter/Dimension	M12

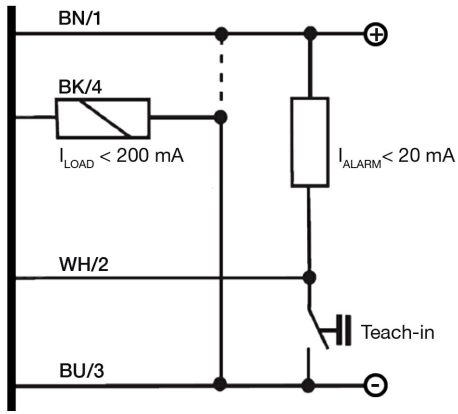
## Test/Approvals

Approvals	CE cULus
EMC compatibility	IEC 60947-5-2
Shocks and vibrations	Vibration IEC 60068-2-6 / Shock IEC 60068-2-27
Degree of protection	IP67

## Accessories

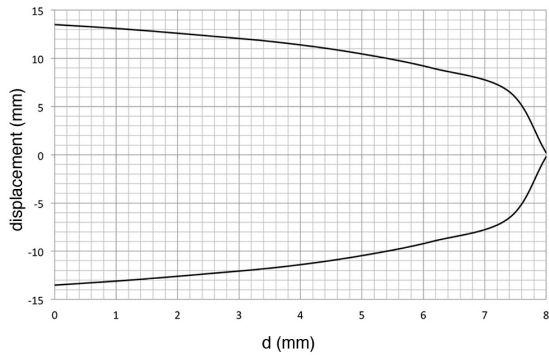
Supplied Accessories	2 x M12 nuts
----------------------	--------------

# ELECTRICAL DIAGRAMS OF THE CONNECTIONS

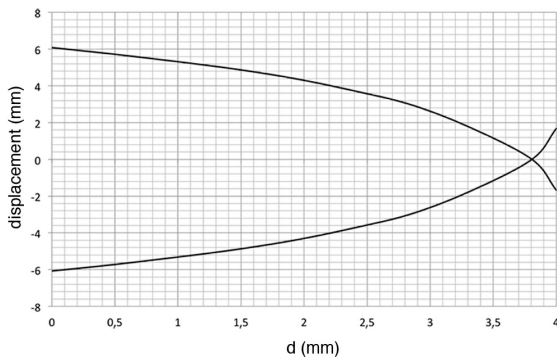


# RESPONSE CURVES

## Non schermato



## Schermato



41122 Modena (MO)  
Tel. 059 420411  
Fax 059 253973  
E-mail [info@microdetectors.com](mailto:info@microdetectors.com)