

# FC7I/0P-M304-0F

fork sensors

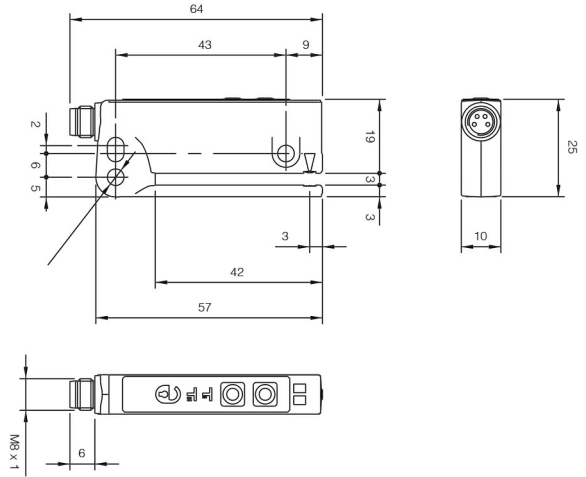


Micro Detectors

Italian Sensors Technology



Indicative image



## Detection properties

Nominal sensing distance	3mm
minimum detectable object	2mm
Sensitivity adjustment	Yes
+/-50 $\mu\text{m}$ a 150m/min	+/-50 $\mu\text{m}$ at 150m/min
200 m/min	200 m/min
2mm	2mm

## Outputs

Output type	PNP
Output Function	LO/DO
Switching frequency	10kHz

## Electrical data

Operating Voltage	12...24Vdc
No-Load supply current	$\leq 35\text{mA}$
Load current	100mA
Output voltage drop	$\leq 2\text{V}$ @ $I_L = 100\text{mA}$
Max ripple content	$\leq 10\%$
Time delay before availability	50ms max

Reverse Polarity Protection	Yes
Emission	Infrared

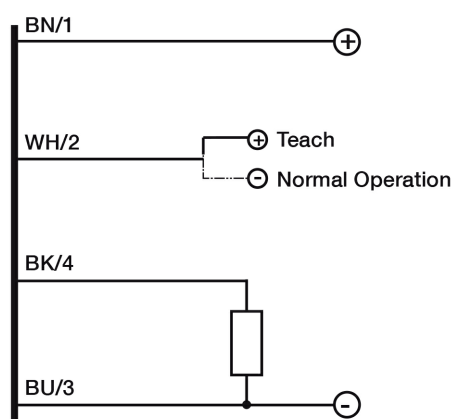
## Mechanical data

Dimensions	Width slot detection 3mm - Depth slot detection 42mm
Weight	35g
Housing Material	PA
Connections	M8 plug 4 pin
Operating temperature	- 20°C...+ 60°C
Storage temperature	- 30°C...+ 80°C
Width slot detection	3mm
Depth slot detection	42mm

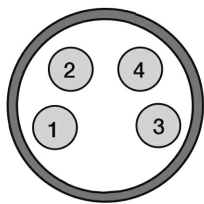
## Test/Approvals

Approvals	CE UL
EMC compatibility	EN 60529
Degree of protection	IP65

# ELECTRICAL DIAGRAMS OF THE CONNECTIONS



# CONNECTOR



---

---

**M.D. Micro Detectors S.p.A.**

Strada S.Caterina, 235  
41122 Modena (MO)  
Tel. 059 420411  
Fax 059 253973  
E-mail [info@microdetectors.com](mailto:info@microdetectors.com)

**date of printing**

11/06/2021 19:38:14