

AB1/AN-1A

miniaturized cylindrical inductive

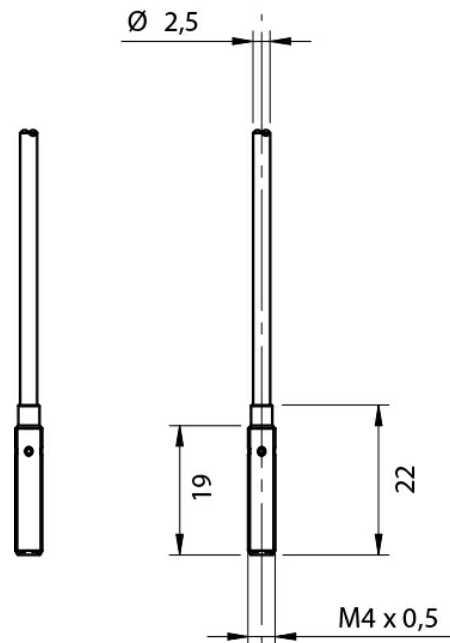
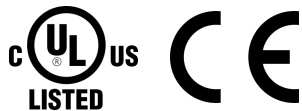


Micro Detectors

Italian Sensors Technology



Indicative image



Detection properties

Nominal sensing distance	0,6mm
Operanting distance	0...0,48mm
Standard target	4x4mm FE360
Correction Factor	copper: $0,23 \pm 10\%$ / aluminium: $0,26 \pm 10\%$ / brass: $0,31 \pm 10\%$ / stainless steel: $0,52 \pm 10\%$
Thermal drift of Sr	< 10%
Repeat Accuracy	5% (UB 24V Ta=23°C $\pm 5^\circ\text{C}$)
Hysteresis	1 ... 20%

Outputs

Output type	NPN
Output Function	NO
Switching frequency	3kHz

Electrical data

Operating Voltage	10...30Vdc
No-Load supply current	$\leq 10\text{mA}$
Load current	$\leq 100\text{mA}$
Leakage current	$\leq 10\mu\text{A}$

Output voltage drop	≤ 1,5V @100mA
Max ripple content	≤10%
LED indicators	Yellow LED output state
Time delay before availability	≤ 50ms
Short-circuit protection	Yes (auto-reset)
Reverse Polarity Protection	Yes
Protection against inductive loads	Yes

Mechanical data

Mounting	Shielded
Dimensions	M4 x 0,5 / L = 22mm
Weight	30g
Housing Material	AISI 303 Stainless Steel
Connections	2m PUR Cable
Active Head Material	PBT
Tightening torque	1,5Nm
Operating temperature	-25°C...+70°C
Diameter/Dimension	M4

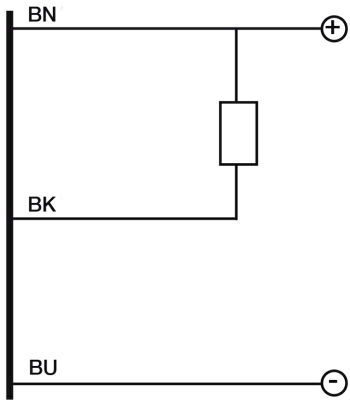
Test/Approvals

Approvals	CE UL
EMC compatibility	IEC 60947-5-2
Shocks and vibrations	Vibration IEC 60068-2-6 / Shock IEC 60068-2-27
Degree of protection	IP67

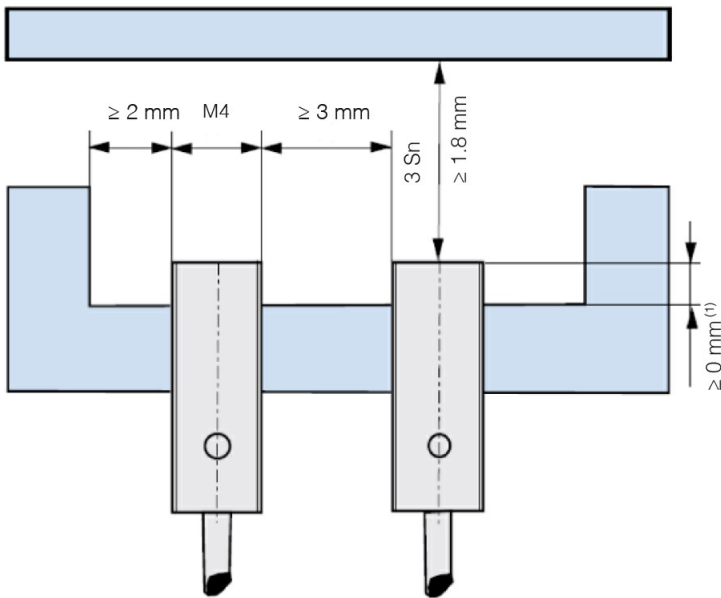
Accessories

Supplied Accessories	2 nuts M4x0,5
----------------------	---------------

ELECTRICAL DIAGRAMS OF THE CONNECTIONS



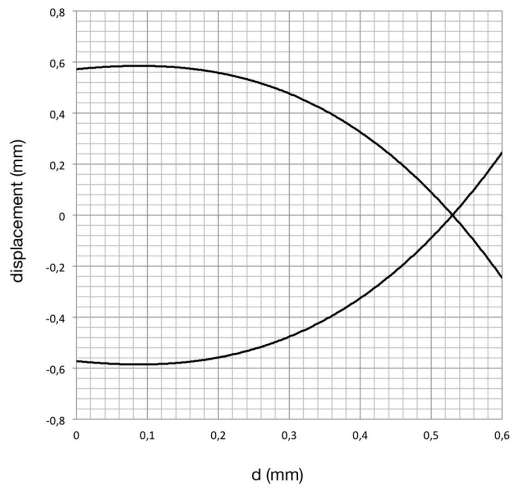
INSTALLATION



⁽¹⁾ $\geq 2.5 \text{ mm}$ without ferro-magnetic material

RESPONSE CURVES

Disassamento Parallelo



M.D. Micro Detectors S.p.A.

Strada S. Caterina, 235

41122 Modena (MO)

Tel. 059 420411

Fax 059 253973

E-mail info@microdetectors.com

date of printing

11/06/2021 19:17:47