

# FALN/BP-2E

cylindrical photosensors

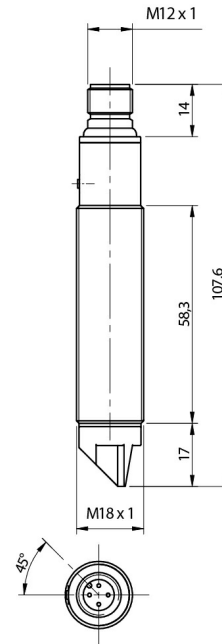


Micro Detectors

Italian Sensors Technology



Indicative image



## Detection properties

Nominal sensing distance	20m with RL110 ; 30m with RL201 , 5m with RL100D
Thermal drift of Sr	≤10% Sr
Repeat Accuracy	5%
Sensitivity adjustment	Teach-in

## Application

Function Principle	Polarized
Optic position	90°

## Outputs

Output type	PNP
Output Function	NO+NC
Switching frequency	800Hz

## Electrical data

Operating Voltage	10...30Vdc
No-Load supply current	≤30mA
Load current	≤100mA
Leakage current	≤10μA
Output voltage drop	2V max. IL =100 mA
Max ripple content	10%
LED indicators	Green power supply/yellow (LightON EG≥2)/yellow flashing (LightON 1
Time delay before availability	≤200ms
Short-circuit protection	Short circuit (autoreset), Overvoltage
Reverse Polarity Protection	Polarity inversal, Impulsive voltage
Emission	Red laser diode (650nm) class1 (IEC60825-1)
Interference to external light	3000lux (incandescent lamp), 10000lux (sunlight)

## Mechanical data

Dimensions	M18 x 1/L=92,7mm
Weight	30g
Housing Material	PBT / PC plug
Connections	M12 plug
Active Head Material	Glass / PC
Tightening torque	1Nm
Operating temperature	- 15°C...+ 55° C (Without freeze)
Diameter/Dimension	M18

## Test/Approvals

Approvals	CE, cULus
EMC compatibility	EN 60947-5-2
Shocks and vibrations	Vibration IEC 60068-2-6 / Shock IEC 60068-2-27
Degree of protection	IP67

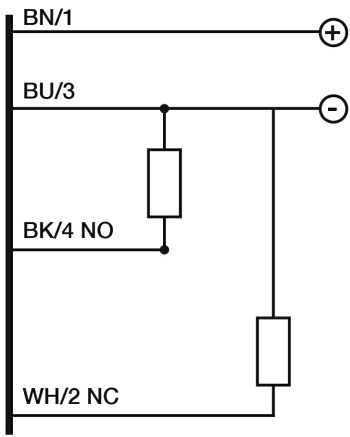
## Accessories

Supplied Accessories	nuts M18 x 1, screwdriver
----------------------	---------------------------

---

# ELECTRICAL DIAGRAMS OF THE CONNECTIONS

---



## CONNECTOR

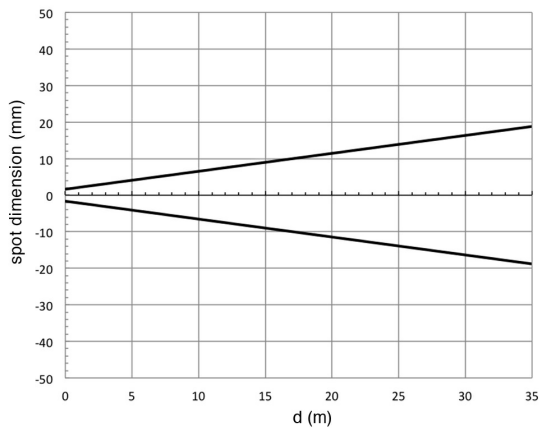
---



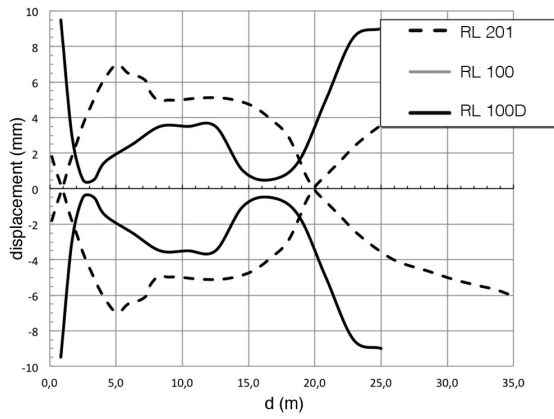
## RESPONSE CURVES

---

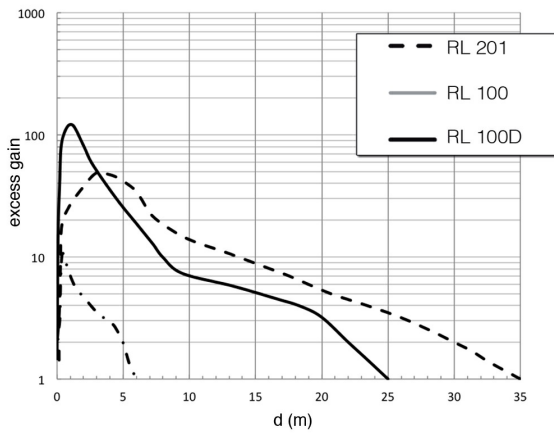
### Dimensione Spot



### Disassamento Parallelo



## Eccesso di Guadagno



**M.D. Micro Detectors S.p.A.**

Strada S. Caterina, 235

41122 Modena (MO)

Tel. 059 420411

Fax 059 253973

E-mail [info@microdetectors.com](mailto:info@microdetectors.com)

**date of printing**

11/06/2021 19:13:46