

# FS1/OP-E

Amplificatori per Fibre Ottiche

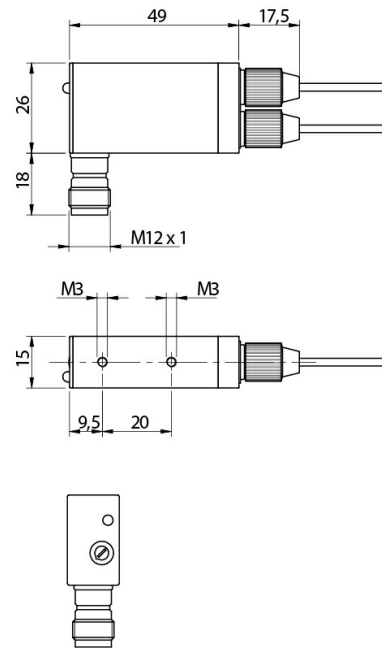


Micro Detectors

Italian Sensors Technology



Indicative image



## Detection properties

Nominal sensing distance

See optical fibres table

Sensitivity adjustment

1 turn trimmer

## Outputs

Output type

PNP

Output Function

LO/DO

Switching frequency

1 kHz

## Electrical data

Operating Voltage

10...30Vdc

No-Load supply current

100 mA

Load current

30 mA

Output voltage drop

1.2 V max

Max ripple content	≤ 10 %
LED indicators	Red (output NO energized)
Time delay before availability	200 ms
Short-circuit protection	Yes
Reverse Polarity Protection	Yes
Emission	Red (660 nm)
Interference to external light	30.000lux (incandescent lamp), 10.000lux (sunlight)

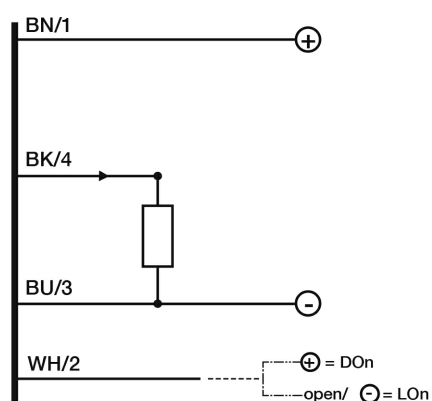
## Mechanical data

Dimensions	15x26x67 mm
Weight	50 g
Housing Material	Polyamide
Connections	M12 plug - 90° Output
Active Head Material	Depending by optical fibres
Operating temperature	- 25°C...+ 70°C (without freeze)

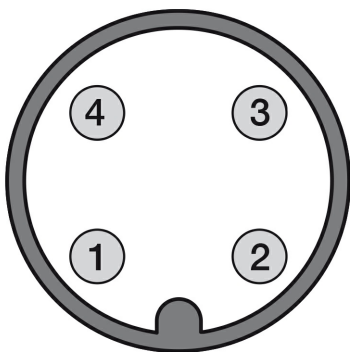
## Test/Approvals

Approvals	CE
Degree of protection	IP67

# ELECTRICAL DIAGRAMS OF THE CONNECTIONS



# CONNECTOR



---

---

**M.D. Micro Detectors S.p.A.**

Strada S.Caterina, 235

41122 Modena (MO)

Tel. 059 420411

Fax 059 253973

E-mail [info@microdetectors.com](mailto:info@microdetectors.com)

**date of printing**

11/06/2021 15:56:46