

# FGRN/0N-0A

cubic photosensors

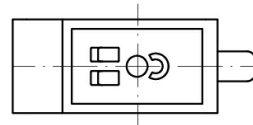
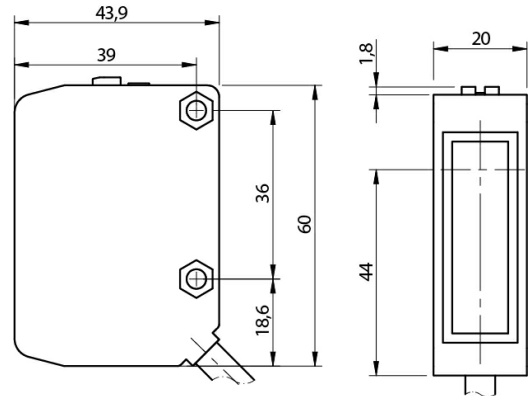


Micro Detectors

Italian Sensors Technology



Indicative image



## Detection properties

Nominal sensing distance

12m with reflector RL 123 included

Sensitivity adjustment

Potentiometer 2 turns with position indicator

## Application

Function Principle

Polarized

Optic position

Axial

## Outputs

Output type

NPN

Output Function

LO/DO selectable

Switching frequency

1kHz

## Electrical data

Operating Voltage

10...30Vdc

No-Load supply current

35mA

Load current

≤ 100mA

Output voltage drop

1,8V max @ 100mA

Max ripple content

5Vpp

LED indicators

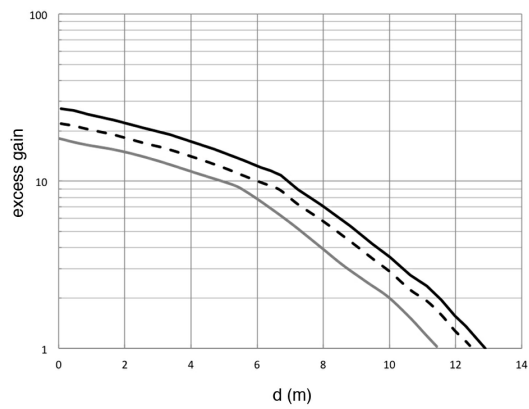
Red led indicator



# RESPONSE CURVES

---

## Eccesso di Guadagno



---

**M.D. Micro Detectors S.p.A.**

Strada S. Caterina, 235

41122 Modena (MO)

Tel. 059 420411

Fax 059 253973

E-mail [info@microdetectors.com](mailto:info@microdetectors.com)

**date of printing**

11/06/2021 15:11:35