

Q50I6/B0-0E

cubic photosensors

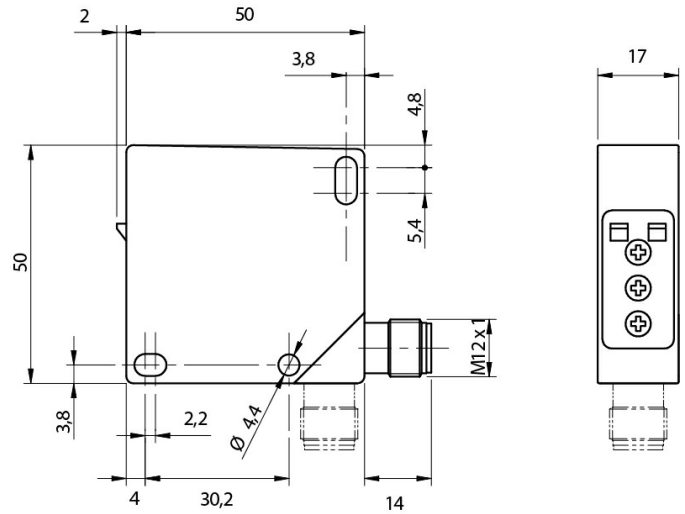


Micro Detectors

Italian Sensors Technology



Indicative image



Detection properties

Nominal sensing distance 0.1...1m

Sensitivity adjustment Single-turn potentiometer

Application

Function Principle Diffuse reflection (long distance, >600mm)

Optic position Axial

Outputs

Output type NPN/PNP Selectable

Output Function NO + NC

Switching frequency 500Hz

Electrical data

Operating Voltage 10...30Vdc

No-Load supply current $\leq 40\text{mA}$

Load current $\leq 200\text{mA}$

Output voltage drop $\leq 2,5\text{ Vdc @ } 200\text{mA}$

Max ripple content 10%

Short-circuit protection Yes

Reverse Polarity Protection Yes

Emission Infrared

Mechanical data

Dimensions	50X50mm
Weight	105g
Connections	M12 plug
Active Head Material	PMMA
Operating temperature	- 20°C...+ 60°C (UL omologation 0°C...60°C)
Material	PC/ABS
Diameter/Dimension	Cubic

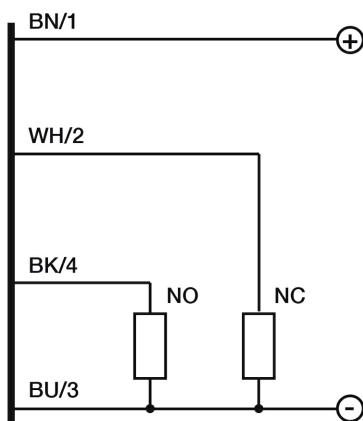
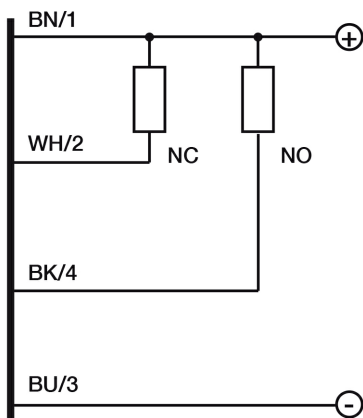
Test/Approvals

EMC compatibility	EN 60947-5-2
Shocks and vibrations	Vibration IEC 60068-2-6 / Shock IEC 60068-2-52
Degree of protection	IP67

Accessories

Supplied Accessories	Mounting bracket included
----------------------	---------------------------

ELECTRICAL DIAGRAMS OF THE CONNECTIONS

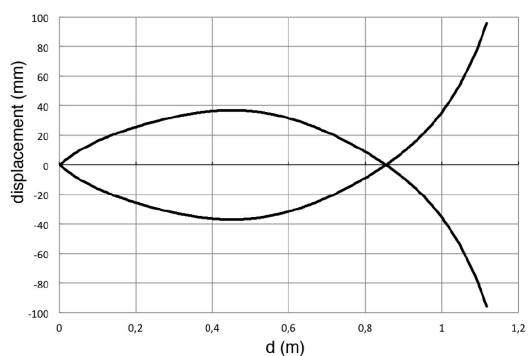


CONNECTOR



RESPONSE CURVES

Disassamento Parallelo



M.D. Micro Detectors S.p.A.

Strada S. Caterina, 235

41122 Modena (MO)

Tel. 059 420411

Fax 059 253973

E-mail info@microdetectors.com

date of printing

11/06/2021 15:10:29