

# BS4/00-0E

cubic photosensors

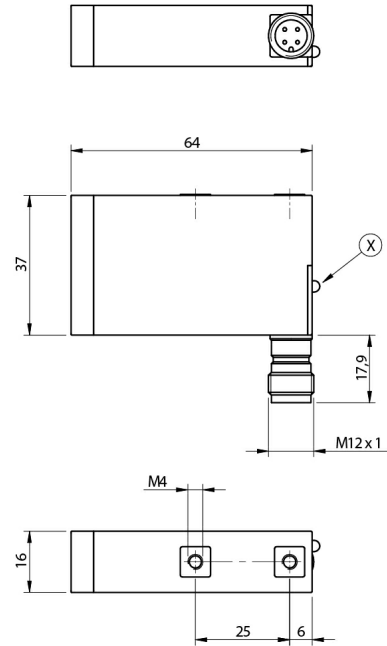


Micro Detectors

Italian Sensors Technology



Indicative image



## Detection properties

Nominal sensing distance	200mm
Repeat Accuracy	≤ 5%
Sensitivity adjustment	1 turn trimmer

## Application

Function Principle	Diffuse reflection (short distance, ≤200mm)
Optic position	Axial

## Outputs

Output type	Decout NPN/PNP Selectable
Output Function	Decout NO/NC Selectable
Switching frequency	80Hz

## Electrical data

Operating Voltage	10...30Vdc
No-Load supply current	25mA max
Load current	100mA
Leakage current	≤ 10μA
Output voltage drop	1,2V max
Max ripple content	≤ 10%
LED indicators	Red ( output energized)
Time delay before availability	200ms
Short-circuit protection	Yes
Reverse Polarity Protection	Yes
Emission	Infrared (880nm)
Interference to external light	3000lux Incandescent Lamp, 10000lux

## Mechanical data

Dimensions	16x37x64
Weight	185g
Connections	M12 plug - 90° Output
Active Head Material	PMMA
Operating temperature	- 25°C...+ 70°C ( without freeze)
Material	ABS
Diameter/Dimension	Cubic

## Test/Approvals

Approvals	CE
EMC compatibility	EN 60947-5-2
Shocks and vibrations	Vibration IEC 60068-2-6 / Shock IEC 60068-2-32
Degree of protection	IP65

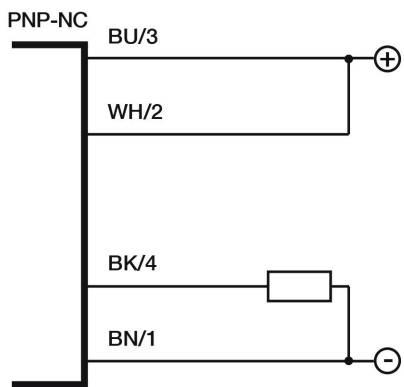
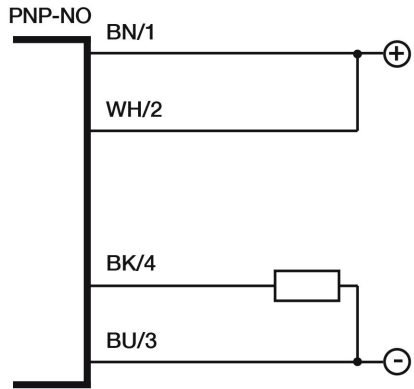
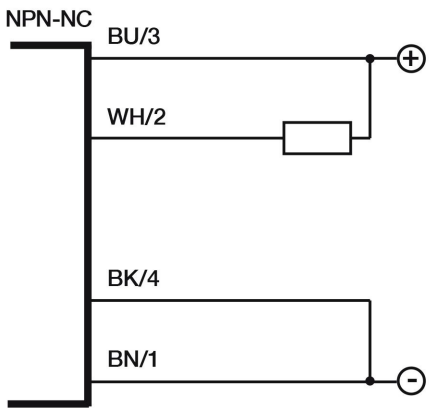
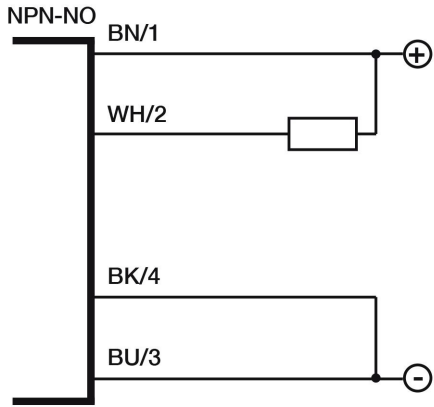
## Accessories

Supplied Accessories	ST01 mounting brakets and screws
----------------------	----------------------------------

---

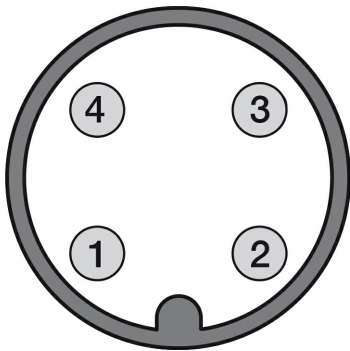
# ELECTRICAL DIAGRAMS OF THE CONNECTIONS

---



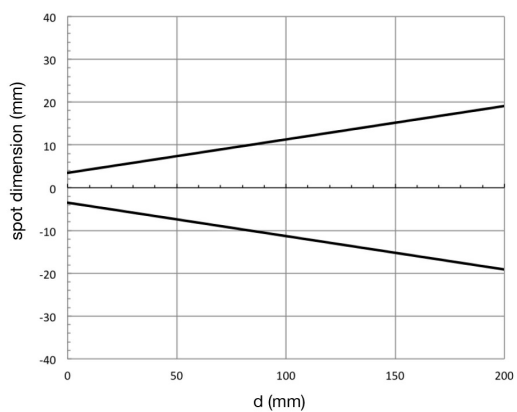
# CONNECTOR

---

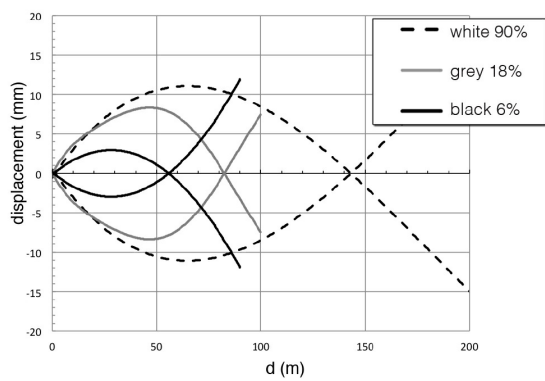


# RESPONSE CURVES

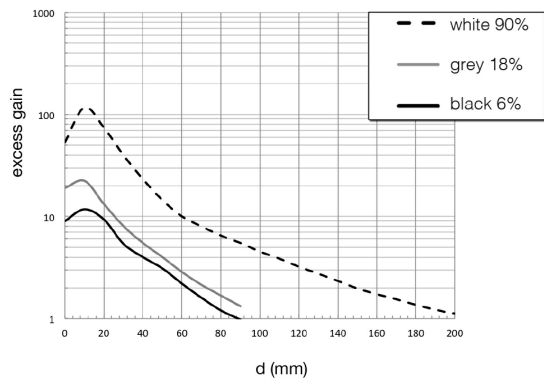
## Dimensione Spot



## Disassamento Parallelo



## Eccesso di Guadagno



---

**M.D. Micro Detectors S.p.A.**

Strada S. Caterina, 235

41122 Modena (MO)

Tel. 059 420411

Fax 059 253973

E-mail [info@microdetectors.com](mailto:info@microdetectors.com)

**date of printing**

11/06/2021 15:08:10