

MQ1/00-0E

cylindrical photosensors

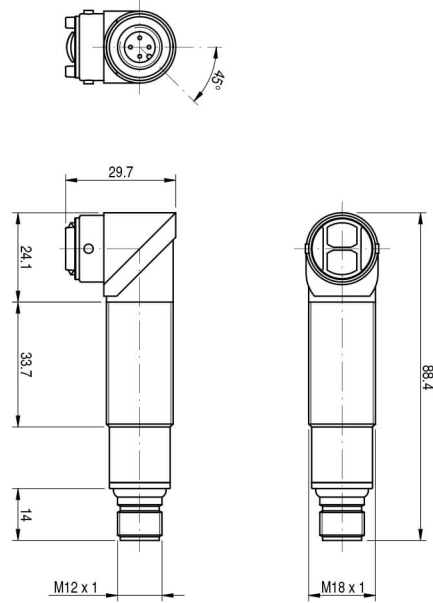


Micro Detectors

Italian Sensors Technology



Indicative image



Detection properties

Nominal sensing distance	100mm
Thermal drift of Sr	≤ 10%
Repeat Accuracy	5%
Sensitivity adjustment	No

Application

Function Principle	Background suppression
Optic position	90°

Outputs

Output type	TRIAC
Output Function	LO/DO selectable
Switching frequency	25Hz

Electrical data

Operating Voltage	20...253Vac/50...60Hz
No-Load supply current	≤40mARMS
Load current	5...300mARMS
Leakage current	≤1,5mARMS IL=250Vca

Output voltage drop	≤3V IL=300mA
LED indicators	Yellow(light output status)
Time delay before availability	200ms
Emission	Infrared (880nm)
Interference to external light	3.000lux (incandescent lamp), 10.000lux (sunlight)
Impulsive Overvoltage Protection	Yes

Mechanical data

Dimensions	M18x1/L=88,8mm
Weight	30g
Housing Material	PBT / PC plug
Connections	M12 plug
Active Head Material	PMMA
Tightening torque	1Nm
Operating temperature	- 25°C...+ 70° C (without freeze)
Storage temperature	- 55°C...+80°C
Diameter/Dimension	M18

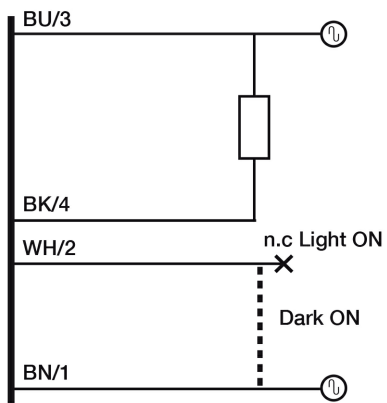
Test/Approvals

Approvals	CE, cRUus
EMC compatibility	EN 50082-2;EN 60947-5-2;EN50081-1
Shocks and vibrations	Vibration IEC 60068-2-6 / Shock IEC 60068-2-27
Degree of protection	IP67

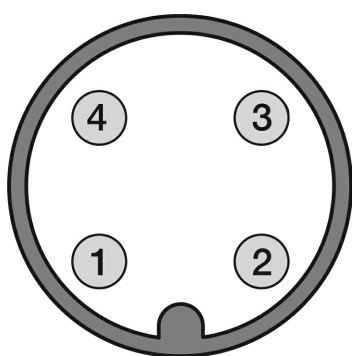
Accessories

Supplied Accessories	Metallic nut (2x)
----------------------	-------------------

ELECTRICAL DIAGRAMS OF THE CONNECTIONS

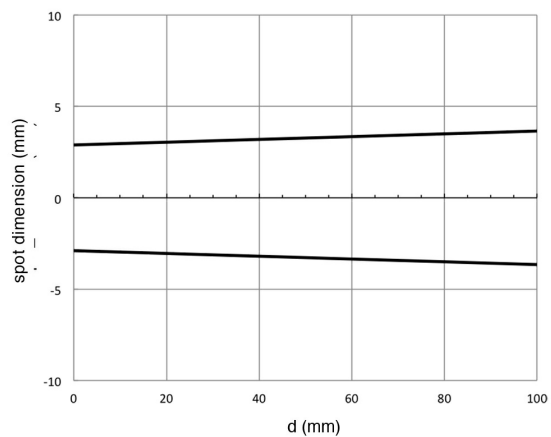


CONNECTOR

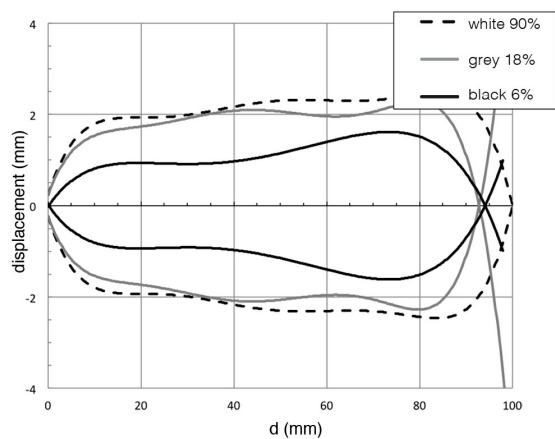


RESPONSE CURVES

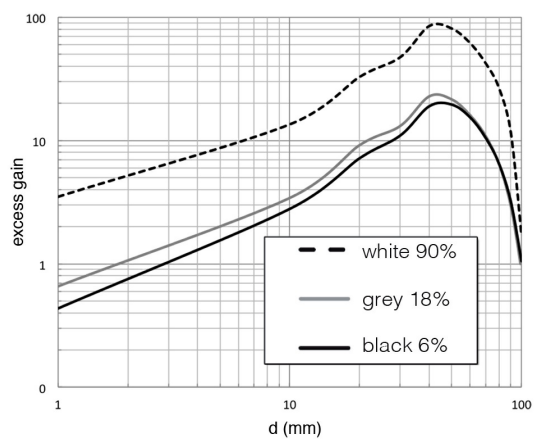
Dimensione Spot



Disassamento Parallelo



Eccesso di Guadagno



M.D. Micro Detectors S.p.A.

Strada S. Caterina, 235

41122 Modena (MO)

Tel. 059 420411

Fax 059 253973

E-mail info@microdetectors.com

date of printing

11/06/2021 14:49:05