

# SA2/0N-0C

cylindrical photosensors

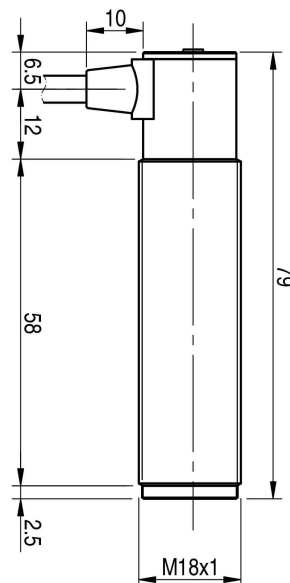


Micro Detectors

Italian Sensors Technology



Indicative image



## Detection properties

Nominal sensing distance	150mm
Thermal drift of Sr	10% Sr
Repeat Accuracy	5%
Sensitivity adjustment	Trimmer

## Application

Function Principle	Diffuse reflection (short distance, $\leq 200\text{mm}$ )
Notes	With 100x100 mm white matt paper
Optic position	Axial

## Outputs

Output type	NPN
Output Function	LO/DO selectable

Switching frequency 1kHz

## Electrical data

Operating Voltage 10...30Vdc

No-Load supply current  $\leq 30\text{mA}$

Load current  $\leq 100\text{mA}$

Leakage current  $\leq 10\mu\text{A}$

Output voltage drop  $\leq 2\text{V IL}=100\text{mA}$

Max ripple content  $\leq 10\%$

LED indicators Yellow (output energized), green (supply), red (activated output)

Time delay before availability 200ms

Short-circuit protection Yes

Reverse Polarity Protection Yes

Emission Infrared (880nm)

Interference to external light 3.000lux (incandescent lamp), 10.000lux (sunlight)

## Mechanical data

Dimensions 21,4mmx89,8mm

Weight 75g

Housing Material PBT / Nylon cable exit

Connections Right angle cable 2m PVC

Active Head Material PMMA

Tightening torque 1Nm

Operating temperature - 25°C...+ 70° C (without freeze)

Diameter/Dimension M18

## Test/Approvals

Approvals CE

EMC compatibility EN 60947-5-2

Shocks and vibrations Vibration IEC 60068-2-6 / Shock IEC 60068-2-27

Degree of protection IP67

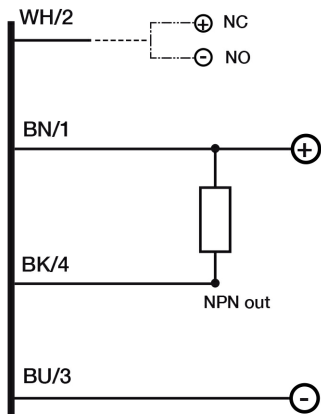
## Accessories

Supplied Accessories Metallic nut (2x)

---

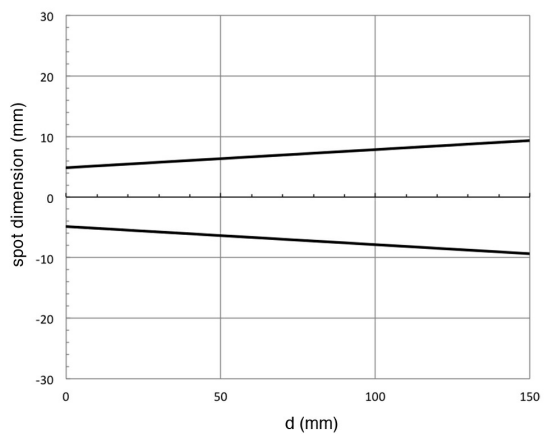
# ELECTRICAL DIAGRAMS OF THE CONNECTIONS

---

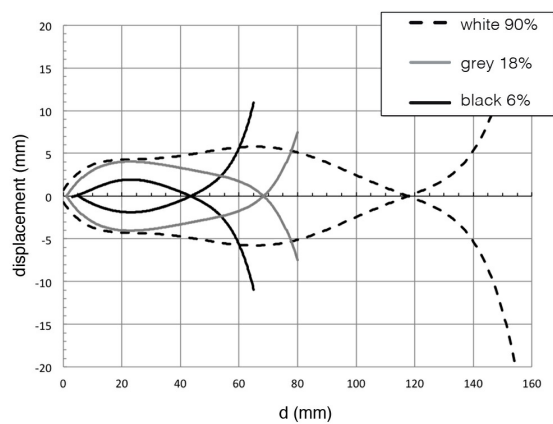


## RESPONSE CURVES

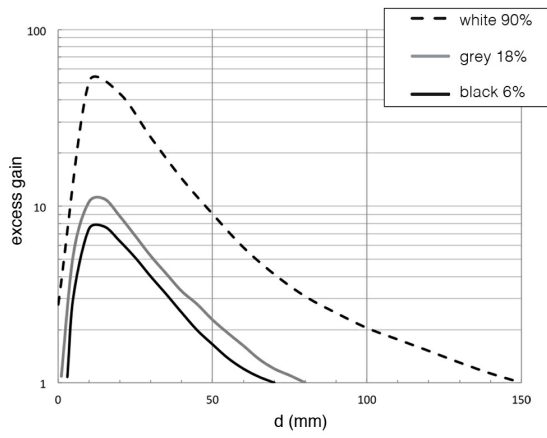
### Dimensione Spot



### Disassamento Parallelo



### Eccesso di Guadagno



---

**M.D.Micro Detectors S.p.A.**

Strada S.Caterina, 235

41122 Modena (MO)

Tel. 059 420411

Fax 059 253973

E-mail [info@microdetectors.com](mailto:info@microdetectors.com)

**date of printing**

11/06/2021 14:44:19