

# MS0/00-1A

cylindrical photosensors

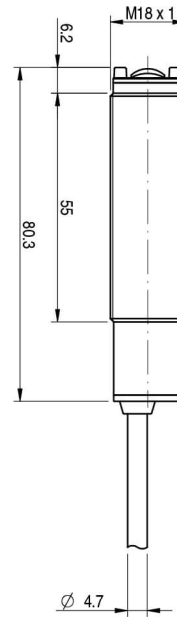


Micro Detectors

Italian Sensors Technology



Indicative image



## Detection properties

Nominal sensing distance	50mm white target 90% Kodak 100x100mm
Thermal drift of Sr	≤10% Sr
Repeat Accuracy	5%
Sensitivity adjustment	No

## Application

Function Principle	Background suppression
Optic position	Axial

## Outputs

Output type	Decout NPN/PNP Selectable
Output Function	Decout NO/NC Selectable
Switching frequency	1Khz

## Electrical data

Operating Voltage	10...30Vdc
No-Load supply current	≤40mA
Load current	≤100mA
Leakage current	≤10μA
Output voltage drop	1,2V max. IL =100 mA
Max ripple content	10%
LED indicators	Yellow (output state)
Time delay before availability	≤200ms
Short-circuit protection	Short circuit (autoreset), Overvoltage
Emission	Infrared (880 nm)
Interference to external light	3000lux (incandescent lamp), 10000lux (sunlight)
Impulsive Overvoltage Protection	Impulsive Overvoltage Protection

## Mechanical data

Dimensions	M18 x 1 /L =78,9mm
Weight	130g
Housing Material	Nickel plated brass / PC cable exit
Connections	2m PVC cable
Active Head Material	PMMA
Tightening torque	25Nm
Operating temperature	25°C..+ 70° C (Without freeze)
Diameter/Dimension	M18

## Test/Approvals

Approvals	CE, cURus
EMC compatibility	EN 60947-5-2
Shocks and vibrations	Vibration IEC 60068-2-6 / Shock IEC 60068-2-27
Degree of protection	IP67

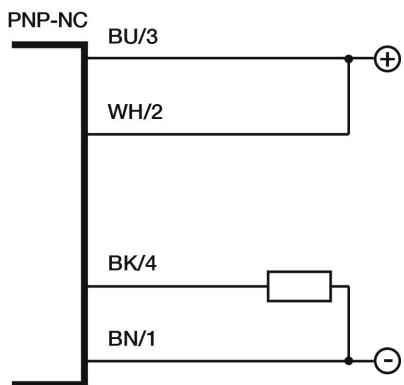
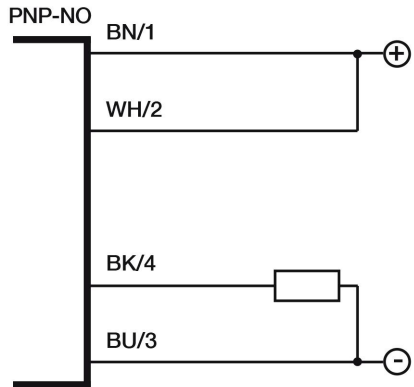
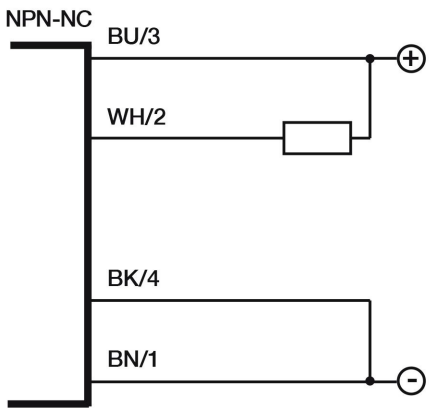
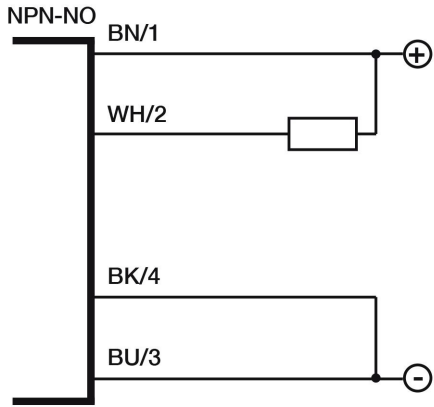
## Accessories

Supplied Accessories	nuts M18 x 1
----------------------	--------------

---

# ELECTRICAL DIAGRAMS OF THE CONNECTIONS

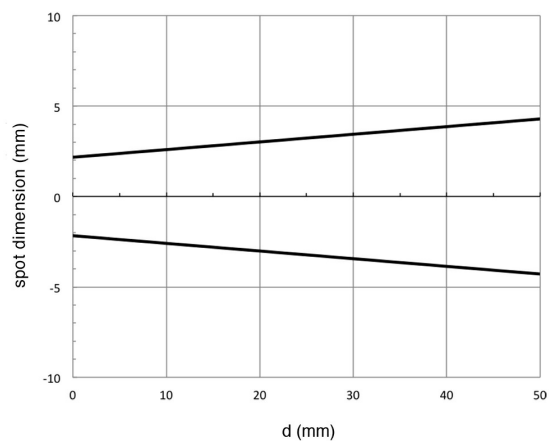
---



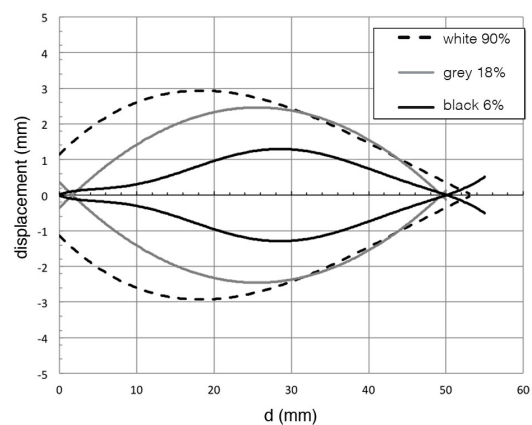
## RESPONSE CURVES

---

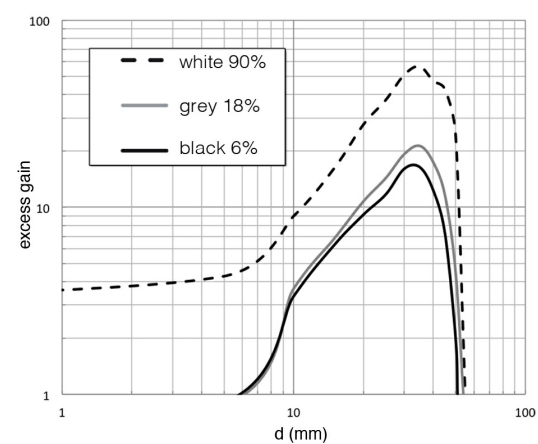
## Dimensione Spot



## Disassamento Parallelo



## Eccesso di Guadagno



41122 Modena (MO)  
Tel. 059 420411  
Fax 059 253973  
E-mail [info@microdetectors.com](mailto:info@microdetectors.com)