

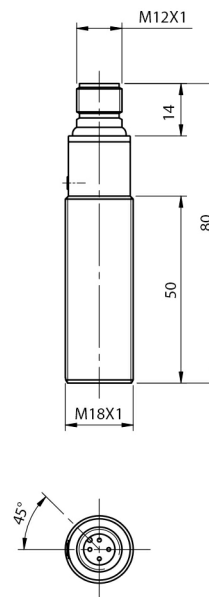
FBL4/BN-1E

cylindrical photosensors



Micro Detectors

Italian Sensors Technology



Detection properties

Nominal sensing distance 300mm (focalized 100mm) white target 90% Kodak 200x200mm

Thermal drift of Sr $\leq 10\%$ Sr

Repeat Accuracy 5%

Sensitivity adjustment Teach-in

Application

Function Principle Diffuse reflection (medium distance, ≤ 600 mm)

Optic position Axial

Outputs

Output type NPN

Output Function NO+NC

Switching frequency 800Hz

Electrical data

Operating Voltage 10...30Vdc

No-Load supply current	≤30mA
Load current	≤100mA
Leakage current	≤10μA
Output voltage drop	2V max. IL =100 mA
Max ripple content	10%
LED indicators	Yellow (Lon) or output status Lo/Do
Time delay before availability	≤200ms
Short-circuit protection	Short circuit (autoreset), Overvoltage
Reverse Polarity Protection	Polarity inversal, Impulsive voltage
Emission	Red laser diode (650nm) class1 (IEC60825-1)
Interference to external light	3000lux (incandescent lamp), 10000lux (sunlight)

Mechanical data

Dimensions	M18 x 1 /L =80 mm
Weight	70g
Housing Material	Nickel plated brass / PA12 plug
Connections	M12 plug
Active Head Material	Glass
Tightening torque	25Nm
Operating temperature	-15°C...+ 55°C (Without freeze)
Diameter/Dimension	M18

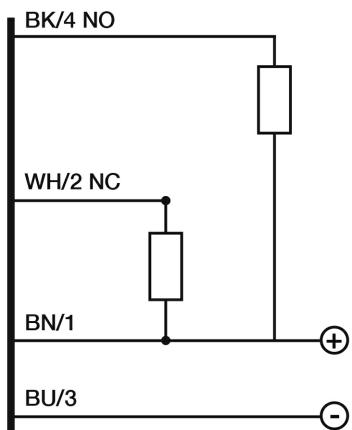
Test/Approvals

Approvals	CE, cULus
EMC compatibility	EN 60947-5-2
Shocks and vibrations	Vibration IEC 60068-2-6 / Shock IEC 60068-2-27
Degree of protection	IP67

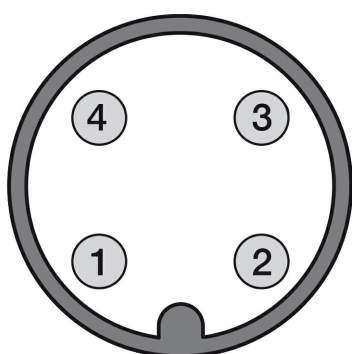
Accessories

Supplied Accessories	nuts M18 x 1, screwdriver
----------------------	---------------------------

ELECTRICAL DIAGRAMS OF THE CONNECTIONS



CONNECTOR



M.D. Micro Detectors S.p.A.

Strada S. Caterina, 235

41122 Modena (MO)

Tel. 059 420411

Fax 059 253973

E-mail info@microdetectors.com

date of printing

11/06/2021 14:33:14