

HEE/00-3A

cylindrical photosensors

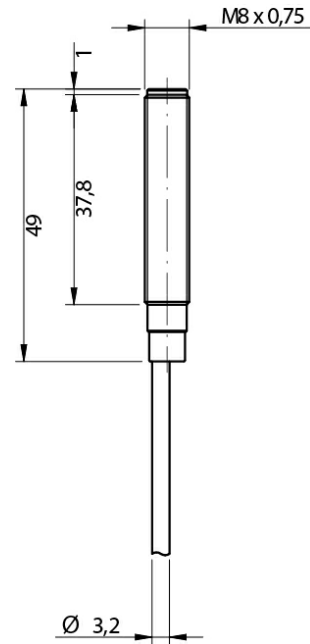


Micro Detectors

Italian Sensors Technology



Indicative image



Detection properties

Nominal sensing distance	1m (EG=2)
Thermal drift of Sr	$\leq 10\%Sr$
Repeat Accuracy	$\leq 10\%$
Sensitivity adjustment	No

Application

Function Principle	Emitter
Emitter/Receiver	Emitter
Optic position	Axial

Electrical data

Operating Voltage	10...30Vdc
No-Load supply current	$\leq 45mA$

Load current	≤100mA
Leakage current	≤10μA
Output voltage drop	≤2V
Max ripple content	≤10%
LED indicators	Yellow (supply)
Time delay before availability	≤100ms
Short-circuit protection	Yes
Reverse Polarity Protection	Yes
Emission	Infrared (880nm)
Interference to external light	3.000 lux (incandescent lamp), 5.000 lux (sunlight)
Impulsive Overvoltage Protection	Yes

Mechanical data

Dimensions	M8x0,75/L=49mm
Weight	40g
Housing Material	Stainless Stee AISI 303I / PA12 cable exit
Connections	2m PVC cable
Active Head Material	PMMA
Operating temperature	- 25°C...+ 50° C (without freeze)

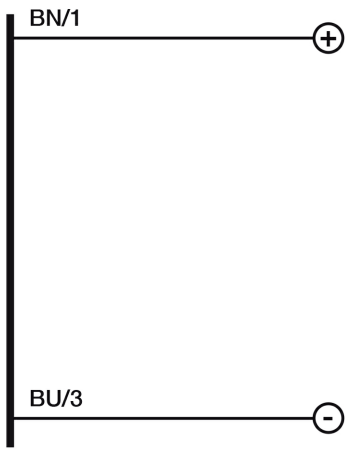
Test/Approvals

Approvals	CE
EMC compatibility	EN 60947-5-2
Shocks and vibrations	Vibration IEC 60068-2-6 / Shock IEC 60068-2-27
Degree of protection	IP67

Accessories

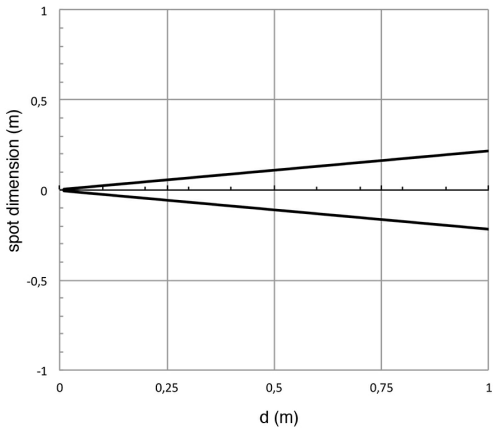
Supplied Accessories	Metallic nut (2x)
----------------------	-------------------

ELECTRICAL DIAGRAMS OF THE CONNECTIONS

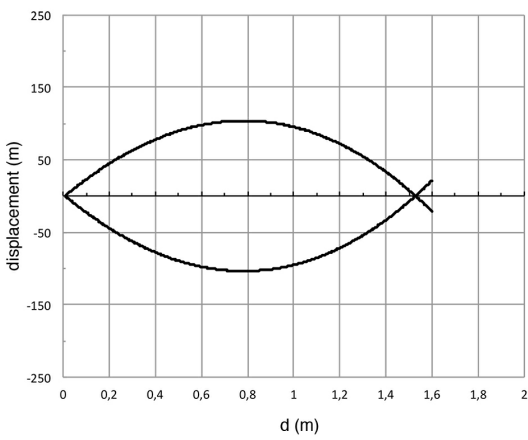


RESPONSE CURVES

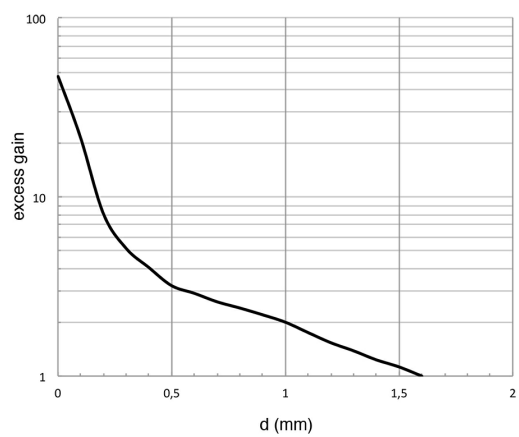
Dimensione Spot



Disassamento Parallelo



Eccesso di Guadagno



M.D.Micro Detectors S.p.A.

Strada S.Caterina, 235

41122 Modena (MO)

Tel. 059 420411

Fax 059 253973

E-mail info@microdetectors.com

date of printing

11/06/2021 14:24:47