

TECHNICAL SPECIFICATION:

1. All parts of fan should be properly assembled, no oil or dirt on the surface, no obvious distortion, mechanical damage and other defects.
2. Fan rotation is flexible, no delay no operation sound, no scratch and other undesirable phenomena.
3. The safety requirement of fan is performed according to GB12350-2009, the electrical strength is 1500V•min, and the insulation resistance is not less than 100M Ω at room temperature.
4. Motor insulation class, F CLASS.
5. Motor protection level, IP44, fan protection level, IP2X.
6. The fan balance level is: 1400± 10% r/min high G6. 3, vibration value is less than 5.4mm/s.
7. MAER box.
8. Built-in heat protector.

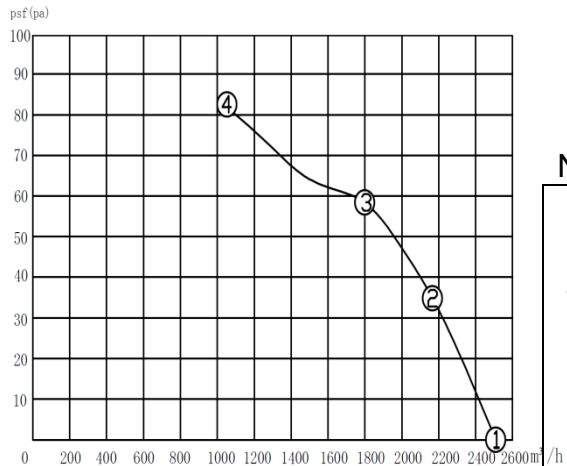
Test data at free:

Connection	UAC (V)±5%	f (Hz)	P1 (W)±10%	I (A)±10%	n (r/min)±10%	Noise db(A)
	1~220V	50	145	0.63	1380	63

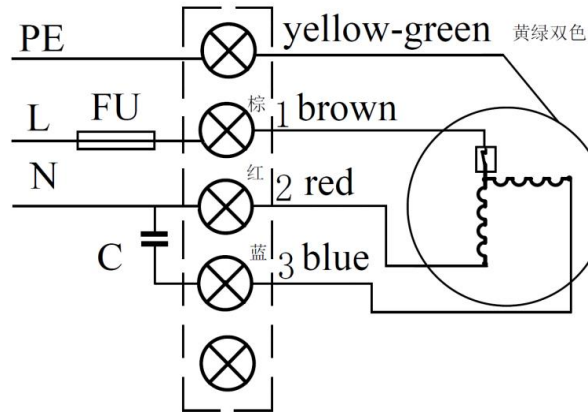
Performance parameters at key point:

	psf	I	P1	n	Q	Note
	(pa)	(A)	(W)	(r/min)	(m³/h)	
①	0	0.57	125	1407	2512	
②	34	0.60	133	1392	2183	
③	58	0.65	143	1371	1803	MAX EFF.
④	80	0.81	180	1266	1098	I MAX

PS: Fan working performance tested with MAER wall plate, and under standard atmospheric pressure at 20°C



WIRING DIAGRAM

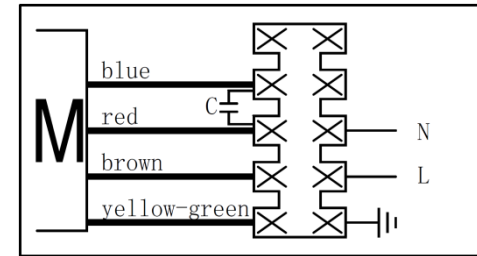


	Product model	YDWF74L34P4-422N-350S
	Product type	External rotor axial flow fan
	Customer	乌克兰 (Ukraine)
	Product number	MAER - 1503053
	Certification	CE, CCC

Condition of use:

- 1) Voltage and frequency: 1 ~ 220V + 5% (50 Hz)
- 2) Qualification requirements: Terminal block, the recommended standard of lead wire is not less than 0.5mm².
- 3) Installation position: vertical or upward.
- 4) Ambient temperature: -40 ~ 75°C.

THE EXTERNAL WIRING DIAGRAM:



MARK

MAER AXIAL FAN MOTOR
MOTORS & FANS

MODEL: **YDWF74L34P4-422N-350 SUCTION**
4E-350-S

VOLTAGE: 220V / 50Hz

N.W/G.W. 5.1/5.9 kg

MEAS: 40x40x20 cm

CL. F WITH TERMINAL BOX

20180509X

Nameplate:

YDWF74L34P4-422N-350 S 1~220V50Hz 4μF / 450V
143W 0.65A 1371r/min @ 58Pa
CL. F IP54 2018/05

Tel: +380678807231, +380500679006
web: www.iceteco.com
e-mail: iceteko@gmail.com

state	Deliver before	The signature	(date)(month)(year)	ZHEJIANG MAER FAN MOTOR CO., LTD.
	After the confirmation			
drawing				Product Specification
audit				
approval				