



EVEREXCEED AGM TECHNOLOGY

FT12V55

VALVE REGULATED

LEAD ACID BATTERY (AVR)

FOR COMMUNICATION

STANDBY POWER APPLICATIONS

12V 55.0AH @ 10 HR RATE to 1.80VPC

12V 54.5AH @ 8 HR RATE to 1.75VPC

12V 168 WATTS/CELL @ 15MIN RATE to 1.67VPC

LONG DURATION

HIGH PERFORMANCE



Innovative Features

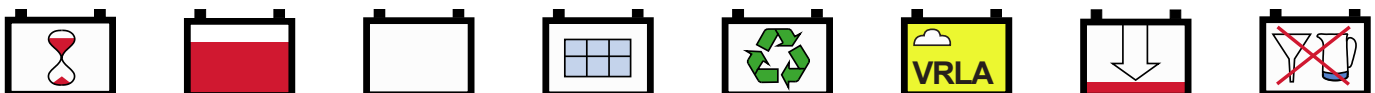
- ◆ Virgin Pure Lead Tin and thick positive plate technology design for maximum service float life - 12 years design life @ 20°C(68°F);
- ◆ UL Recognized component;
- ◆ Valve regulated lead acid battery (VRLA);
- ◆ Optimized high-compression Absorbed Glass Mat (AGM) materials significantly enhance performance and reliability, greater than 99% recombination efficiency;
- ◆ Proprietary Fixed Orifice Plate Pasting technology applying active materials on both sides of the grid for consistent cell-to-cell performance, higher capacity and uniform grid protection.
- ◆ Advanced triple stage unique terminal sealing design to ensure leak free operation;
- ◆ Low self-discharge rate < 3% per month;
- ◆ Heavy duty M6 / M8 Female copper plated terminals provide maximum performance and easy installation, reduce maintenance and increase safety;
- ◆ Advanced lead high-tin low-calcium alloy, reduces grid corrosion and promotes long battery life;
- ◆ Standard: Reinforced ABS (UL 94HB) container and cover; Optional: Flame-retardant reinforced ABS case and cover compliant with U.L.94 V-0 with an Oxygen Limiting Index of greater than 28%;
- ◆ Designed to withstand extreme temperature degrees and performance without degradation;
- ◆ Flame arresting, low pressure safety release venting system for individual cells, recognized per U.L.924;

12 VOLTS - 55.0 AMPERE HOUR @ 10 HOUR RATE

AH Capacity to 1.80VPC @ 20°C (68°F)

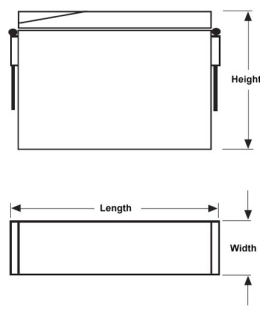
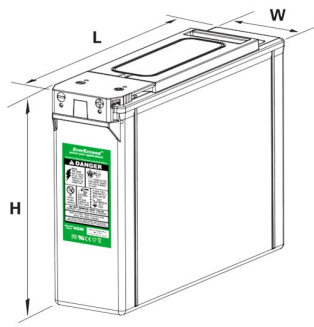
End Point Volts/Cell	1hr	2hr	3hr	4hr	5hr	6hr	8hr	10hr	20hr
1.80	34.1	40.2	44.3	46.8	48.7	51.7	52.5	55.0	59.4

For UPS / Solar / Telecommunication Applications



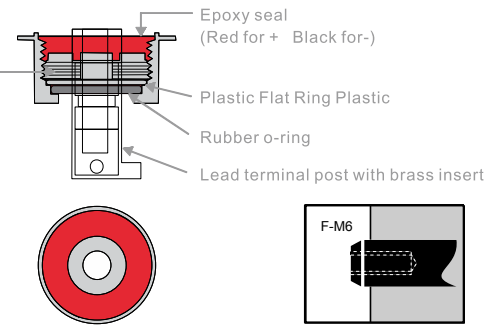
FT AGM Range VRLA

EverExceed®
power your applications



Plastic screwed cap to hold down flat and o-ring

Length (L): 280 mm
Width (W): 105 mm
Height (H): 225 mm



Electrical Specifications						
Cells Per Unit	Voltage Per Unit	Weight	Electrolyte	Maximum discharge current (5s)	Short Circuit Current	Internal Resistance (mΩ)
6	12.84	38.1lbs 17.3kg	SG = 1.300	660Amps	1600Amps	6.5

Capacity	55.0 Ah @ 10 hr. rate to 1.80 volts per cell @ 20°C (68°F). 54.5 Ah @ 8 hr. rate to 1.75 volts per cell @ 20°C (68°F). 168 Watts per all at the 15 minute rate to 1.67 volts per cell @ 20°C (68°F).
Applicable Operating Temperature Range	-40°C (-40°F) to +70°C (+158°F).
Ideal Operating Temperature Range	+20°C (+68°F) to +28°C (+82.4°F).
Floating Charging Voltage	13.5 to 13.8 VDC/unit Average at 20°C (77°F).
Recommended Maximum Charging Current Limit	13.75 Amperes (0.25C10 Amperes)
Equalization and Cycle Service Charging Voltage	14.1 to 14.4 VDC/unit Average at 20°C (77°F).
Maximum AC Ripple (Charger)	0.5% RMS or 1.5% P-P of float charge voltage recommended for best results. Maximum voltage allowed = 0.5% RMS (4% P-P). Maximum current allowed = 0.28 amperes RMS (C/10) to 1.80VPC.
Self Discharge	EverExceed FT AGM Range batteries may be stored for up to 12 months at 20°C~25°C (68°F~77°F) and then a freshening charge is required. For higher temperatures the time interval will be shorter.
Accessories	Inter unit connectors racks and cabinet systems are available.
Terminal: Inserted	Threaded copper alloy insert terminal
Terminal Hardware Initial Torque: Inserted Terminal	9 NM

Constant Power Discharging Ratings - Watts Per Cell @ 20°C (68°F)															
End Point Volts/Cell	5min	10min	15min	30min	45min	60min	End Point Volts/Cell	2hr	3hr	4hr	5hr	6hr	8hr	10hr	20hr
1.80	232	177	147	96	72.8	60.8	1.85	38.9	28	22.1	19.5	18.4	12.6	10.6	5.90
1.75	255	190	160	99.3	75.1	62.3	1.8	41	29.5	23.3	20.6	19.4	13.3	11.1	6.20
1.67	278	204	168	102	74.4	63	1.75	42	30.1	23.7	21	19.8	13.5	11.3	6.30

Constant Current Discharging Ratings - Ampere per Cell @ 20°C (68°F)															
End Point Volts/Cell	5min	10min	15min	30min	45min	60min	End Point Volts/Cell	2hr	3hr	4hr	5hr	6hr	8hr	10hr	20hr
1.80	128	96	82.0	56.4	42.6	34.1	1.85	19.4	13.9	11.1	9.13	8.16	6.36	5.34	2.89
1.75	146	106	89.4	58.3	44.3	35.5	1.8	20.1	14.8	11.7	9.74	8.62	6.57	5.50	2.97
1.67	168	118	97	59.1	44.8	36.0	1.75	20.5	15.1	12.0	9.90	8.94	6.81	5.58	3.03

Note: Batteries to be mounted with 0.5 in (1.25 cm) spacing minimum and free air ventilation.
Specifications subject to change without notification.

