

# CQ50/AP-4A

capacitive

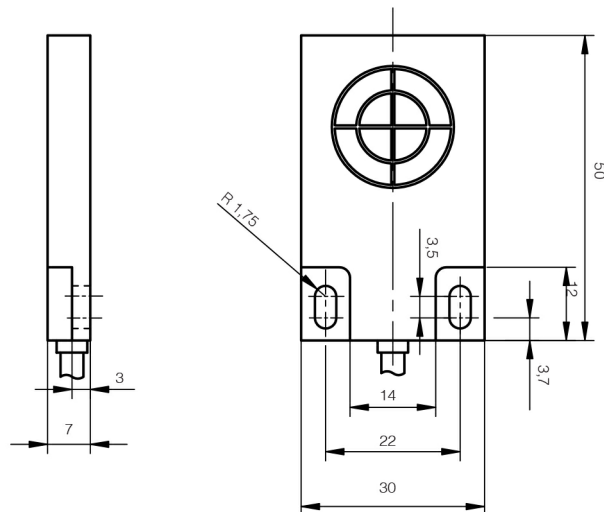


Micro Detectors

Italian Sensors Technology



Indicative image



## Detection properties

Nominal sensing distance	10mm
Thermal drift of Sr	< 20%
Repeat Accuracy	5%
Sensitivity adjustment	NO
Hysteresis	≤ 20%

## Outputs

Output type	PNP
Output Function	NO
Switching frequency	10Hz

## Electrical data

Operating Voltage	10..30Vdc
-------------------	-----------

No-Load supply current	≤ 10mA
Load current	≤50mA
Leakage current	≤ 100μA
Output voltage drop	1,5Vmax @ IL=50mA
Max ripple content	≤10%
Time delay before availability	≤100ms
Short-circuit protection	Yes, autoreset
Reverse Polarity Protection	Yes
Impulsive Overvoltage Protection	Yes

## Mechanical data

Mounting	Shielded
Dimensions	50x30x7mm
Weight	70g
Housing Material	noryl
Connections	2m PVC cable
Active Head Material	noryl
Operating temperature	0...60°C (without freeze)
Storage temperature	-30°C...+75°C
Diameter/Dimension	50x30x7mm

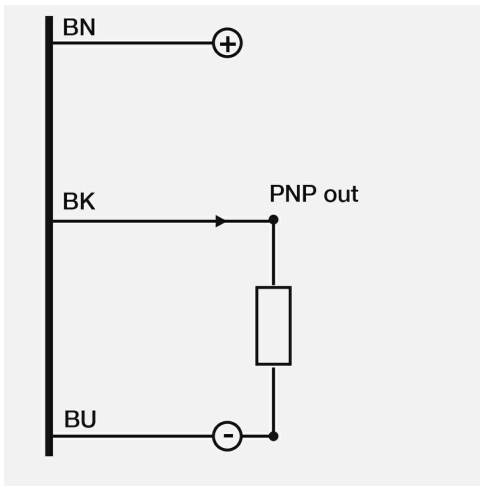
## Test/Approvals

Approvals	CE
EMC compatibility	IEC 60947-5-2
Degree of protection	IP67

---

# ELECTRICAL DIAGRAMS OF THE CONNECTIONS

---



---

**M.D. Micro Detectors S.p.A.**

Strada S. Caterina, 235

41122 Modena (MO)

Tel. 059 420411

Fax 059 253973

E-mail [info@microdetectors.com](mailto:info@microdetectors.com)

**date of printing**

03/06/2021 11:05:26