

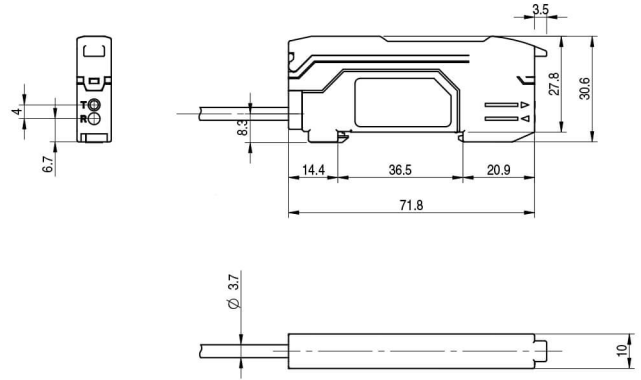
FY2/0P-0A

Amplificatori per Fibre Ottiche



Micro Detectors

Italian Sensors Technology



Detection properties

Nominal sensing distance	Depended fibres used
Repeat Accuracy	5%
Sensitivity adjustment	Teach-in

Application

Notes	Temporizzazione ON/OFF Impulso fisso
Optic position	Axial

Outputs

Output type	NPN
Output Function	LO/DO
Switching frequency	12,5 Khz(HIGH SPEED) 2 Khz (FINE) 500 Hz (SUPER) 31,25 Hz(MEGA)
Response time	40µs(HIGH SPEED) 250 µs (FINE) 1ms (SUPER) 16ms(MEGA)

Electrical data

Operating Voltage	12...24Vdc
No-Load supply current	≤ 50mA
Load current	≤ 100mA
Leakage current	≤ 10μA
Output voltage drop	≤ 1,5V
Max ripple content	≤ 10 %
LED indicators	Red (output activated) Double display 4 digits
Short-circuit protection	Yes
Reverse Polarity Protection	Yes
Emission	Red Led
Interference to external light	20.000lux (incandescent lamp), 30.000lux (sunlight)

Mechanical data

Dimensions	71,8 x 30,3 x 9,8 mm
Weight	80 g (approx.)
Housing Material	PC
Connections	2m PVC cable
Operating temperature	- 20°C...+ 55°C (without freeze)

Test/Approvals

Approvals	CE
EMC compatibility	EN 60947-5-2
Degree of protection	IP64

Accessories

Supplied Accessories	DIN mounting bracket
----------------------	----------------------

M.D.Micro Detectors S.p.A.

Strada S.Caterina, 235
41122 Modena (MO)
Tel. 059 420411
Fax 059 253973
E-mail info@microdetectors.com

date of printing

28/05/2021 09:04:18