

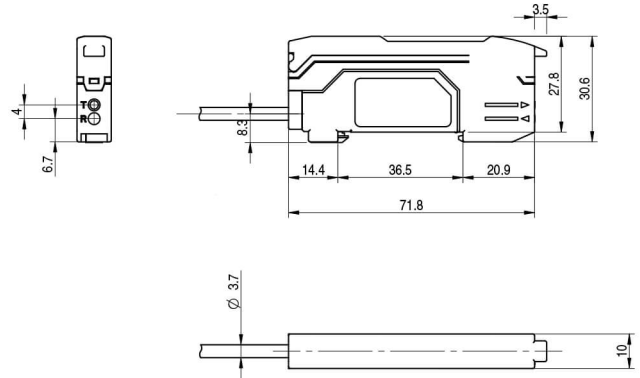
# FY3/0N-0A

Amplificatori per Fibre Ottiche



Micro Detectors

Italian Sensors Technology



## Detection properties

Nominal sensing distance	Depended fibres used
Repeat Accuracy	5%
Sensitivity adjustment	Teach-in

## Application

Notes	Delay ON/OFF One Shot Anti mutual interference
Optic position	Axial

## Outputs

Output type	NPN
Output Function	LO/DO
Switching frequency	2,5Khz(HIGH SPEED)1,3Khz (FINE) 333Hz (SUPER) 41Hz (MEGA)
Response time	OFF: 100µs(HIGH SPEED) 250 µs (FINE) 1ms (SUPER) 8ms(MEGA)

## Electrical data

Operating Voltage	12...24Vdc
No-Load supply current	≤ 40mA
Load current	≤ 100mA
Leakage current	≤ 10μA
Output voltage drop	≤ 1V
Max ripple content	≤ 10 %
LED indicators	Red (output activated) Double display 4 digits
Short-circuit protection	Yes
Reverse Polarity Protection	Yes
Emission	Red Led
Interference to external light	20.000lux (incandescent lamp), 30.000lux (sunlight)

## Mechanical data

Dimensions	71,8 x 30,3 x 9,8 mm
Weight	80 g (approx.)
Housing Material	PC
Connections	2m PVC cable
Operating temperature	- 20°C...+ 55°C (without freeze)

## Test/Approvals

Approvals	CE
EMC compatibility	EN 60947-5-2
Degree of protection	IP64

## Accessories

Supplied Accessories	DIN mounting bracket
----------------------	----------------------

---

### M.D.Micro Detectors S.p.A.

Strada S.Caterina, 235  
41122 Modena (MO)  
Tel. 059 420411  
Fax 059 253973  
E-mail [info@microdetectors.com](mailto:info@microdetectors.com)

### date of printing

28/05/2021 08:54:41