

HER/AP-3A

cylindrical photosensors

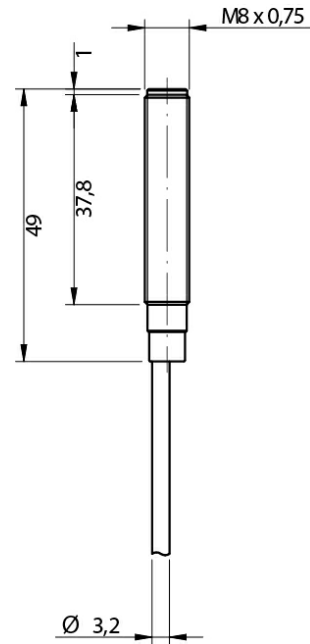


Micro Detectors

Italian Sensors Technology



Indicative image



Detection properties

Nominal sensing distance	1m (EG=2)
Thermal drift of Sr	≤10%Sr
Repeat Accuracy	≤10%
Sensitivity adjustment	No

Application

Function Principle	Receiver
Emitter/Receiver	Receiver
Optic position	Axial

Outputs

Output type	PNP
Output Function	NO

Switching frequency 10kHz

Electrical data

Operating Voltage 10...30Vdc

No-Load supply current $\leq 45\text{mA}$

Load current $\leq 100\text{mA}$

Leakage current $\leq 10\mu\text{A}$

Output voltage drop $\leq 2\text{V}$

Max ripple content $\leq 10\%$

LED indicators Yellow (output active)

Time delay before availability $\leq 100\text{ms}$

Short-circuit protection Yes

Reverse Polarity Protection Yes

Emission Infrared (880nm)

Interference to external light 3.000 lux (incandescent lamp), 5.000 lux (sunlight)

Impulsive Overvoltage Protection Yes

Mechanical data

Dimensions M8x0,75/L=49mm

Weight 40g

Housing Material Stainless Steel AISI 3031 / PA12 cable exit

Connections 2m PVC cable

Active Head Material PMMA

Operating temperature - 25°C...+ 50° C (without freeze)

Test/Approvals

Approvals CE

EMC compatibility EN 60947-5-2

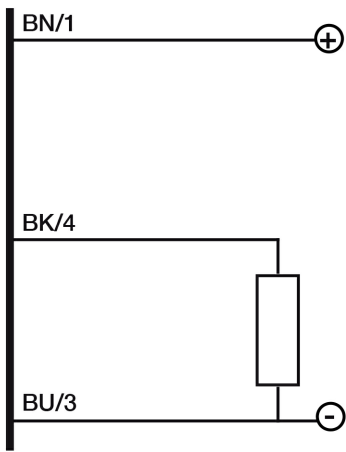
Shocks and vibrations Vibration IEC 60068-2-6 / Shock IEC 60068-2-27

Degree of protection IP67

Accessories

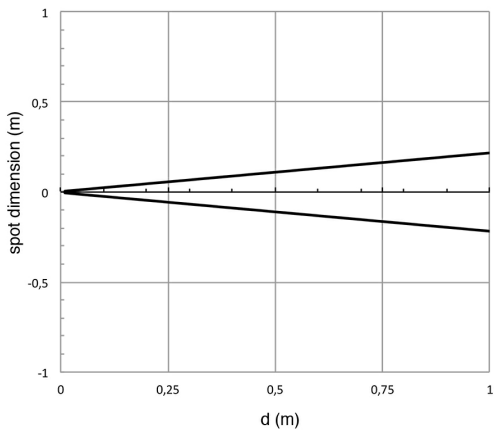
Supplied Accessories Metallic nut (2x)

ELECTRICAL DIAGRAMS OF THE CONNECTIONS

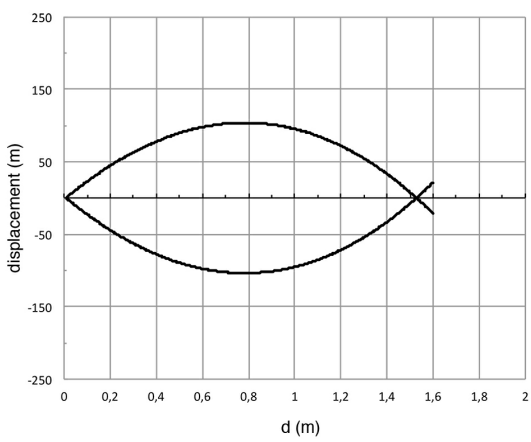


RESPONSE CURVES

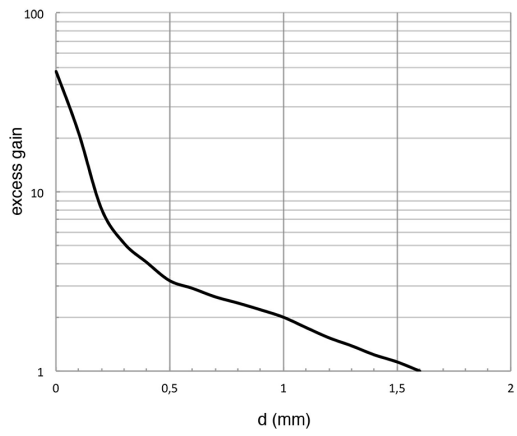
Dimensione Spot



Disassamento Parallelo



Eccesso di Guadagno



M.D. Micro Detectors S.p.A.

Strada S. Caterina, 235

41122 Modena (MO)

Tel. 059 420411

Fax 059 253973

E-mail info@microdetectors.com

date of printing

27/05/2021 18:09:27