

# Q50I8/B0-0E

cubic photosensors

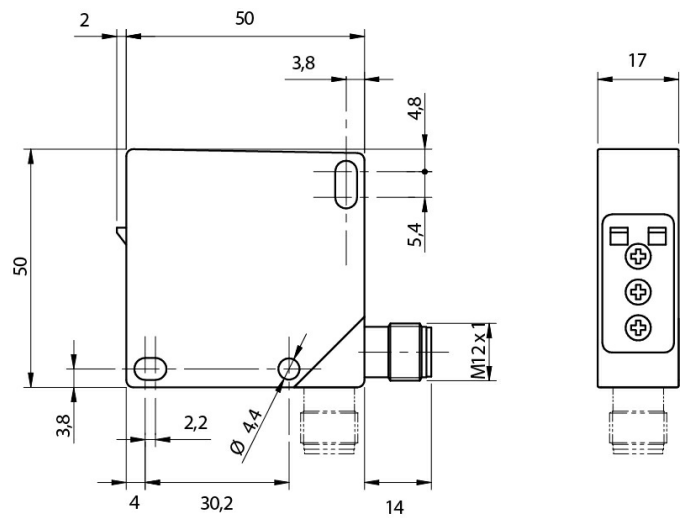


Micro Detectors

Italian Sensors Technology



Indicative image



## Detection properties

Nominal sensing distance

0.3...2m

Sensitivity adjustment

Single-turn potentiometer

## Application

Function Principle

Diffuse reflection (long distance, >600mm)

Optic position

Axial

## Outputs

Output type

NPN/PNP Selectable

Output Function

NO + NC

Switching frequency

500Hz

## Electrical data

Operating Voltage

10...30Vdc

No-Load supply current

≤ 40mA

Load current

≤ 200mA

Output voltage drop	≤ 2,5 Vdc @ 200mA
Max ripple content	10%
Short-circuit protection	Yes
Reverse Polarity Protection	Yes
Emission	Infrared

## Mechanical data

Dimensions	50X50mm
Weight	105g
Connections	M12 plug
Active Head Material	PMMA
Operating temperature	- 20°C...+ 60°C ( UL omologation 0°C...60°C)
Material	PC/ABS
Diameter/Dimension	Cubic

## Test/Approvals

EMC compatibility	EN 60947-5-2
Shocks and vibrations	Vibration IEC 60068-2-6 / Shock IEC 60068-2-55
Degree of protection	IP67

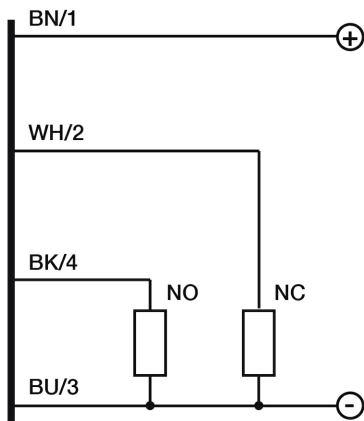
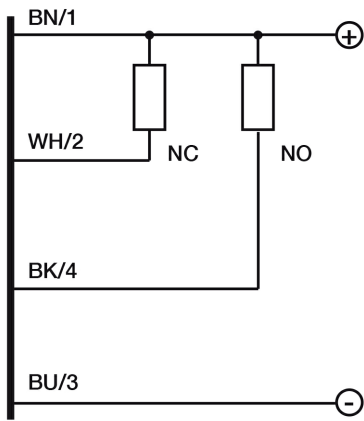
## Accessories

Supplied Accessories	Mounting bracket included
----------------------	---------------------------

---

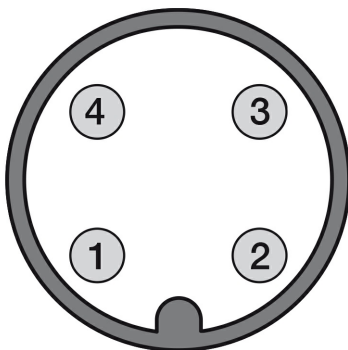
# ELECTRICAL DIAGRAMS OF THE CONNECTIONS

---



## CONNECTOR

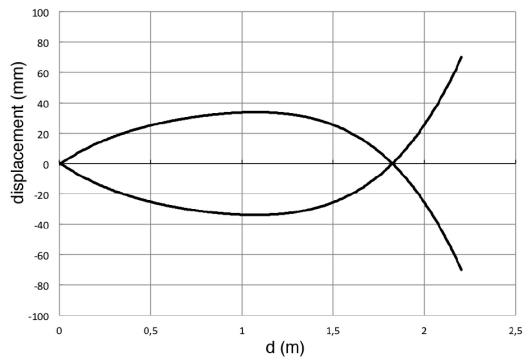
---



## RESPONSE CURVES

---

Disassamento Parallelo



---

**M.D. Micro Detectors S.p.A.**

Strada S. Caterina, 235

41122 Modena (MO)

Tel. 059 420411

Fax 059 253973

E-mail [info@microdetectors.com](mailto:info@microdetectors.com)

**date of printing**

26/05/2021 15:31:42