

# Q50RN/0T-0A

cubic photosensors

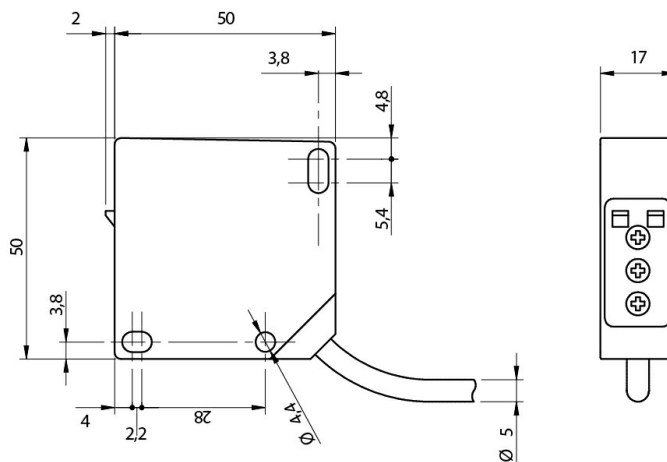


Micro Detectors

Italian Sensors Technology



Indicative image



## Detection properties

Nominal sensing distance

0.2...6m

Sensitivity adjustment

Single-turn potentiometer

## Application

Function Principle

Polarized

Optic position

Axial

## Outputs

Output type

Relay SPDT

Output Function

NO + NC

Switching frequency

20Hz

## Electrical data

Operating Voltage

12...240Vdc / 24...240Vac/50-60Hz

No-Load supply current

2,5VA ( relay ON)

Short-circuit protection

Yes

Reverse Polarity Protection	Yes
Emission	Red

## Mechanical data

Dimensions	50X50mm
Weight	200g
Connections	2m PVC cable
Active Head Material	PMMA
Operating temperature	- 20°C...+ 60°C ( UL omologation 0°C...60°C)
Material	PC/ABS
Diameter/Dimension	Cubic

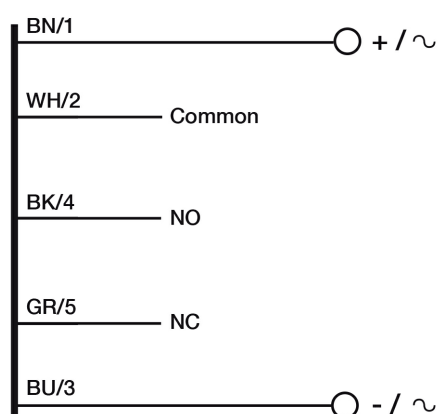
## Test/Approvals

EMC compatibility	EN 60947-5-2
Shocks and vibrations	Vibration IEC 60068-2-6 / Shock IEC 60068-2-64
Degree of protection	IP67

## Accessories

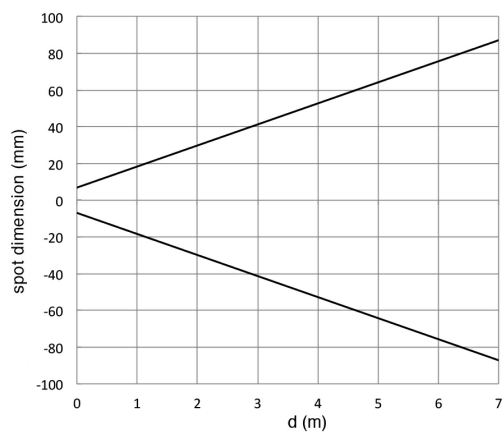
Supplied Accessories	Mounting bracket included
----------------------	---------------------------

# ELECTRICAL DIAGRAMS OF THE CONNECTIONS

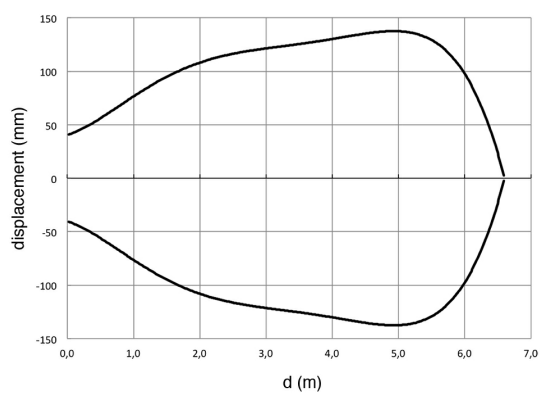


# RESPONSE CURVES

## Dimensione Spot



## Disassamento Parallelo



**M.D. Micro Detectors S.p.A.**

Strada S. Caterina, 235

41122 Modena (MO)

Tel. 059 420411

Fax 059 253973

E-mail [info@microdetectors.com](mailto:info@microdetectors.com)

**date of printing**

26/05/2021 14:08:11