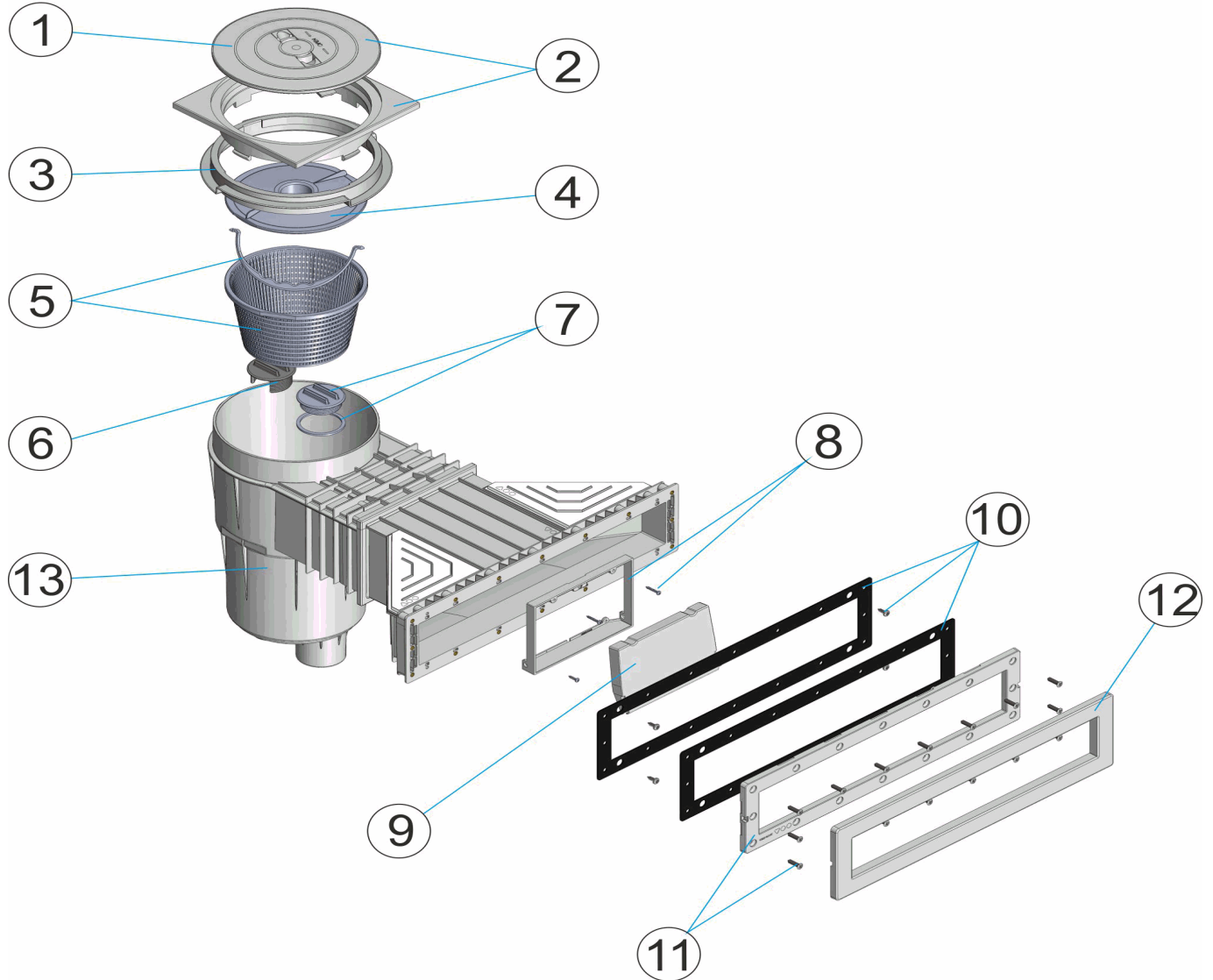


CODE **56176, 56299**

DESCRIPTION: **SKIMMER 17.5 L. 495 X 80 APERTURE WITH/WITHOUT INSERTS**



ENGLISH

POS	CODE	DESCRIPTION	POS	CODE	DESCRIPTION
1	4402010509	SKIMMER LID	9	4402010501	SKIMMER FLAP
2	4402010510	SQUARE RIM AND LID	10	4402010021	ADHESIVE GASKET 495 X 80 APERTURE
3	4402010506	COLLAR EXTENSION RING	11	* 4402010022	FLANGE 495 X 80 APERTURE WITH INSERTS
4	4402010505	VACUUM PLATE	11	* 4402010024	FLANGE 495 X 80 APERTURE WITHOUT INSERTS
5	4402010504	BASKET 17,5 LITRES	12	4402010023	PLATE 495 X 80 APERTURE
6	4402010502	REGULATING PLUG	13	* 56176R0500	SKIMMER UNIT 495 X 80 APERTURE WITH INSERTS
7	4402010503	BLANKING PLUG AND 'O' RING	13	* 56176R0501	SKIMMER UNIT 495 X 80 APERTURE WITHOUT INSE
8	4402010508	FLAP FRAME			

CODE **56176**DESCRIPTION: **SKIMMER 17.5 L. 495 X 80 APERTURE WITH/WITHOUT INSERTS****OBSERVATIONS**

POS	CODE	OBSERVATIONS
11	4402010022	FOR: 56176
11	4402010024	FOR: 56299
13	56176R0500	FOR: 56176
13	56176R0501	FOR: 56299