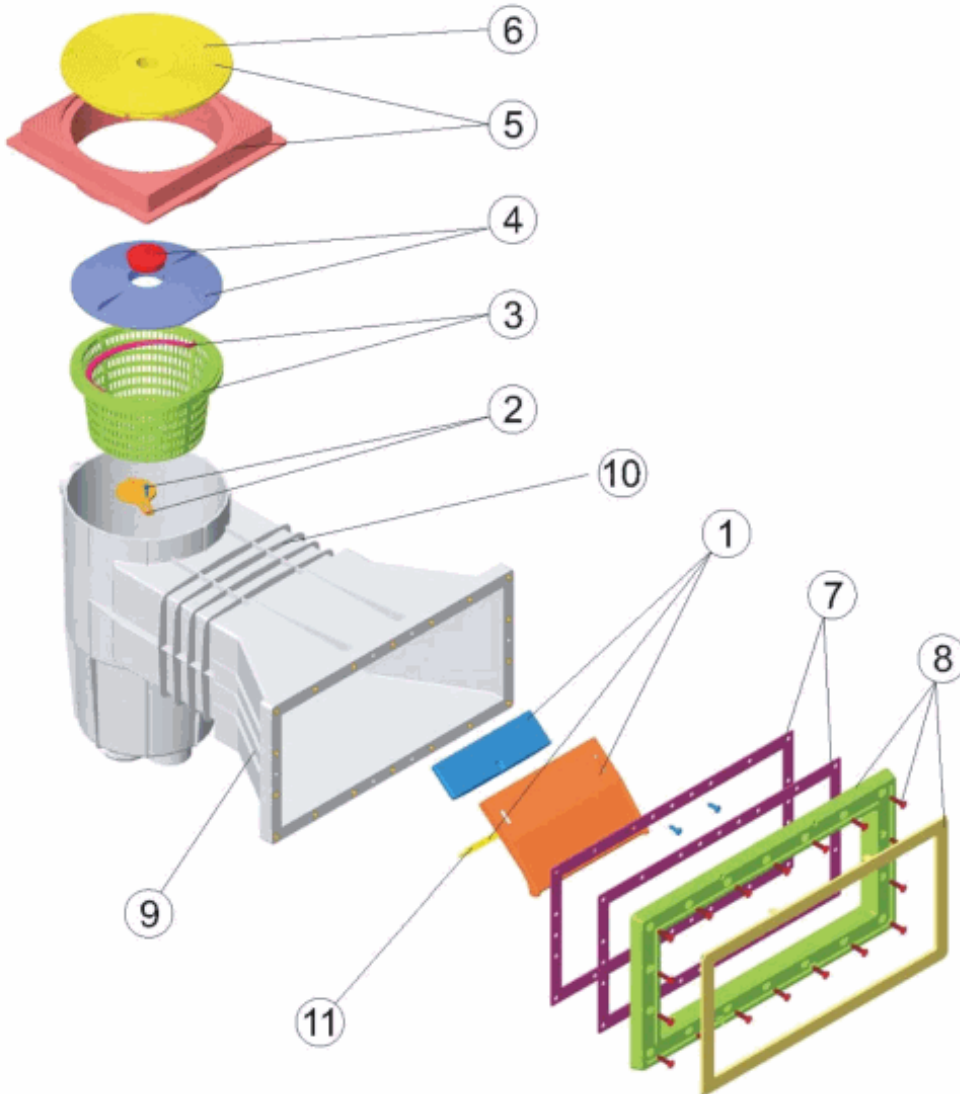


CODE **01464**

DESCRIPTION: **SKIMMER 15L PP. B. EXTENSION SQUARE COVER**



**ENGLISH**

POS	CODE	DESCRIPTION	POS	CODE	DESCRIPTION
1	4402010101	FLAP RETAINING CLIP	7	4402010407	LARGE SKIMMER GASKETS FOR LINER
2	4402010102	KEYHOLE FLAP	8	4402010408	SKIMMER FRAME FOR LINER
3	4402010103	SKIMMER BASKET	9	02211R2001	WIDE THROAT
4	4402010104	VACUUM PLATE WITH PLUG	10	00249R0011	SKIMMER BODY
5	4402010106	SQUARE LID AND LID FRAME	11	4402010110	HINGE FLAP
6	4402010108	CIRCULAR SKIMMER LID			