



**DISTRIBUTORI  
OLEODINAMICI**

**WMM16**

MANUALLY OPERATED  
DIRECTIONAL CONTROL VALVES



WMM16 SERIES MANUALLY OPERATED DIRECTIONAL CONTROL VALVES ARE DIRECT TYPE DIRECTIONAL SPOOL VALVES. THESE VALVES ARE USED TO THE START, STOP AND DIRECTION OF FLOW. THIS SERIES WITH DETENT OR RETURN SPRING ARE AVAILABLE.



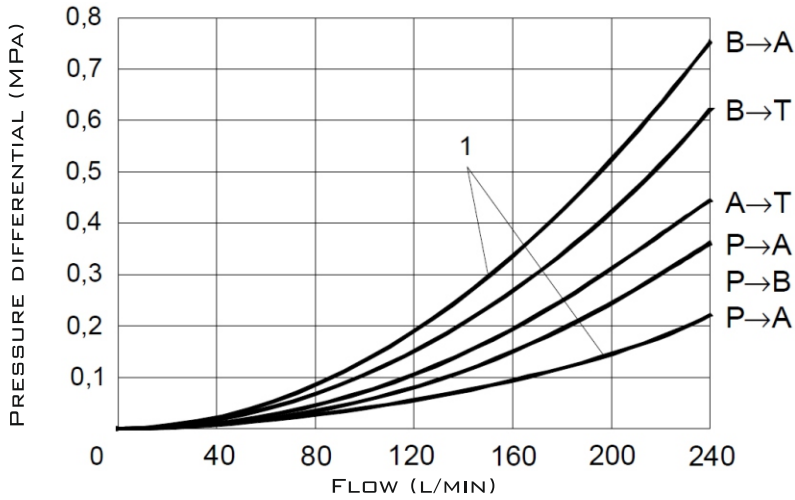
### TECHNICAL DATA

SIZE		16
MAX. FLOW RATE (L/MIN)		300
OPERATING PRESSURE (MPA)	A, B, P PORTS	31.5
	T PORT	25
WEIGHT (KG)		8.9
VALVE BODY (MATERIAL)	CASTING PHOSPHATING SURFACE	



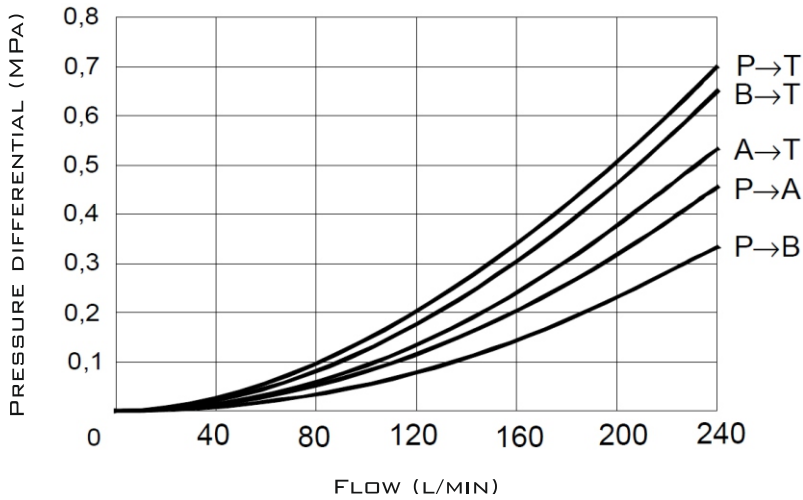
## CHARACTERISTIC CURVES

$\Delta P-Q$  CHARACTERISTIC CURVES - SPOOL TYPE E, R

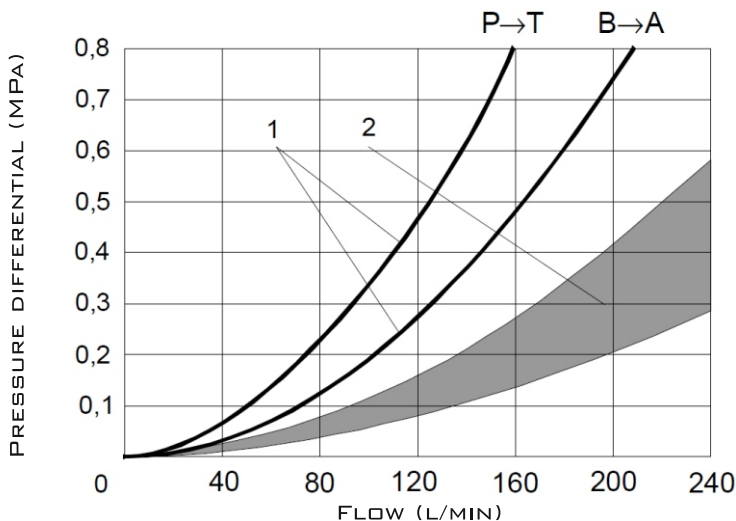


1) ONLY APPLICABLE FOR SPOOL TYPE "R"

$\Delta P-Q$  CHARACTERISTIC CURVES - SPOOL TYPE G, T



$\Delta P-Q$  CHARACTERISTIC CURVES - SPOOL TYPE S, F, H, J, L, M, Q, U, V, W, G, D, K, Z



1) ONLY APPLICABLE FOR SPOOL TYPE "S"  
2) NOT APPLICABLE FOR SPOOL TYPE "S"



DISTRIBUTORI  
OLEODINAMICI

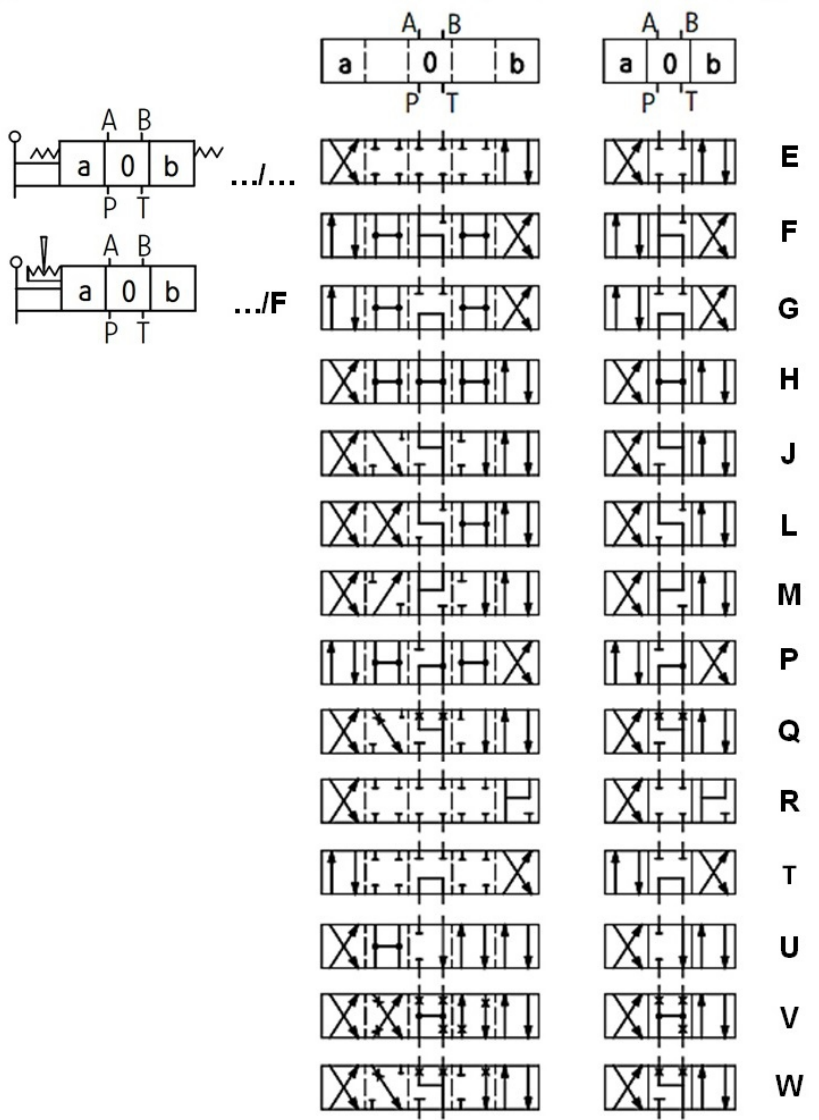
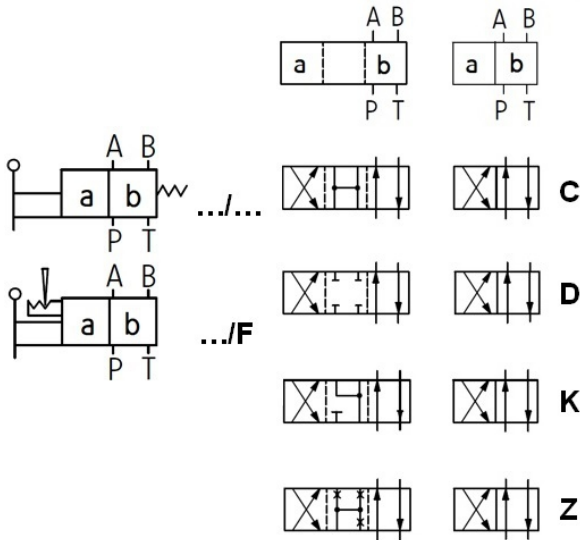
WMM16

MANUALLY OPERATED  
DIRECTIONAL CONTROL VALVES

SPOOL SYMBOLS

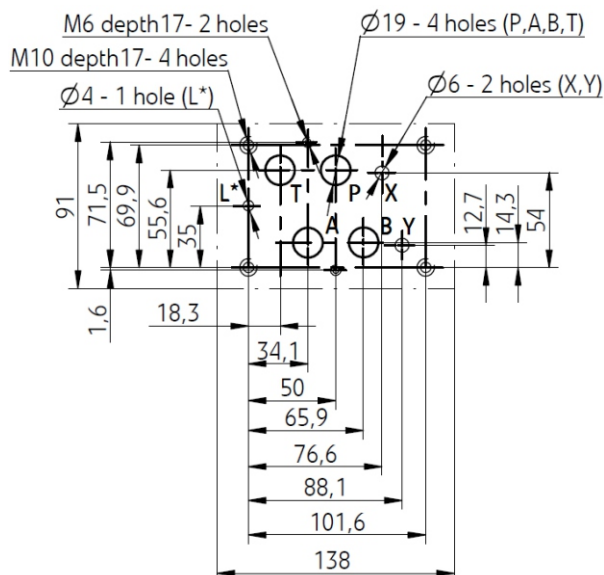
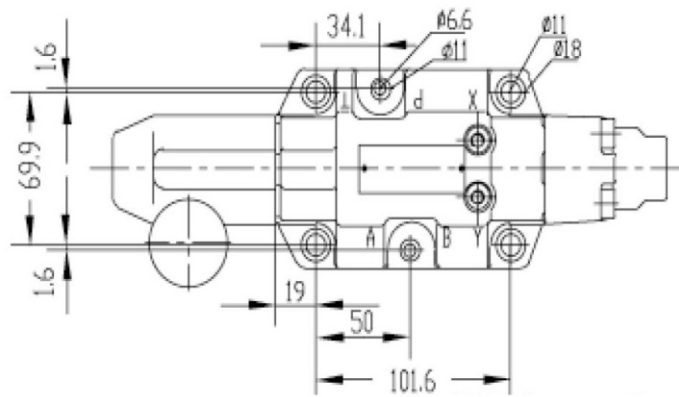
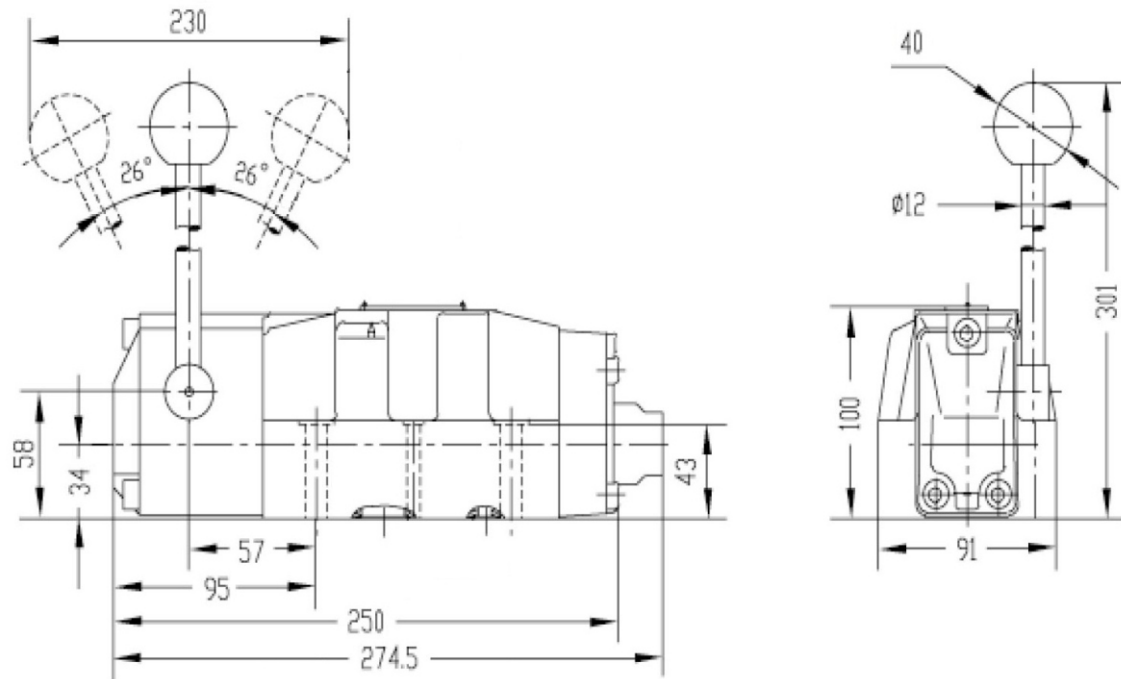
2-POSITION VALVES

3-POSITION VALVES



SEE ALSO:  
WMM6, WMM10,  
WMM25

## SUBPLATE INSTALLATION DIMENSIONS



\* - ONLY FOR 3-POSITION VERSION  
WITH O (NEUTRAL) POSITION OF THE  
SPOOL HYDRAULICALLY CENTERED



**DISTRIBUTORI  
OLEODINAMICI**

**WMM16**

MANUALLY OPERATED  
DIRECTIONAL CONTROL VALVES

**ORDER CODE**

		WMM	16							
--	--	-----	----	--	--	--	--	--	--	--

H=35MPa

3=3-WAY  
4=4-WAY

16=16 SIZE

SPOOL TYPE

10=10 SERIES  
50=50 SERIES

NO CODE=SPRING RETURN WITHOUT DETENT  
F=DETENT WITHOUT SPRING RETURN

NO CODE=HANDLE ON SIDE OF  
PORT A  
L=HANDLE ON SIDE OF PORT B

NO CODE=MINERAL SUBSTANCE  
HYDRAULIC OIL  
V=PHOSPHATE EATER  
HYDRAULIC OIL

NO CODE=WITHOUT THROTTLE INSERT  
B0.8=THROTTLE 0.8 MM  
B1.0=THROTTLE 1.0 MM  
B1.2=THROTTLE 1.2 MM