

Description

DS2 Series Cabled pressure switch opens or closes electrical circuit depending on pressure increases and decreases. Working pressure is set by button on the pressure switch. Button is pushed and locked after desired pressure is reached. It has lock mechanism that blocking change of pressure value. Contact that is inside of product, gets signal by three pieces cable.

- It is designed for high vibrated medias.
- Pressure set button is lockable
- NBR seal equipments
- Brass body materials.
- It is connected to pressure line with G1/8" gland connection

Applications

- Pneumatics
- Media; Compressed air, fluids, gases.

Technical Features

Connection Type	: G1/8" Connection
Reproducibility	: Within %1 of set pressure
Working Temperature	: -20°C....+110°C
Vibration Test (DIN EN 60068-2-6:1996)	: 20 g (Test Time 30 min.)
Shock Test (DIN EN 60068-2-27:1993)	: 30 g
Working Cycle	: 5 000 000 000 Cycle
Viscosity Range	: 10 ile 800 mm ² /sn
Electrical Features	: 5A 250VAC

Notes:

These values are maximum values and they can not be used at the same time. When you need to use the pressure switch in aggressive chemicals or fluids please contact with us. You must stict to rules of clearance standarts Hydraulic oils (fluids). Use filtration to blocking system errors. It is effective for long working life of pressure switches. Please avoid using out of indicated values to have a long service from pressure switch.



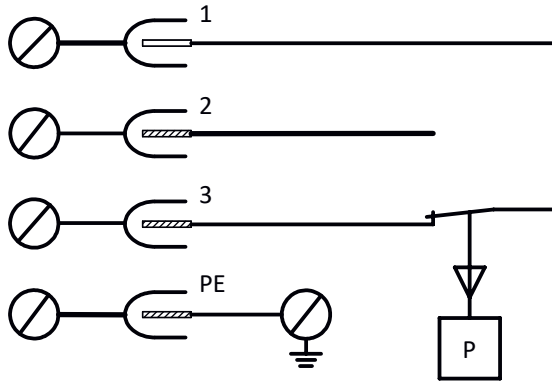
Order Code

PRODUCT	PRODUCT CODE	PRESSURE RANGE	CONNECTION TYPE
DS2	DS2 A A4 012	0,5 ... 12 bar	G1/8" GLAND CONNECTION

Electrical Connection

Contact Connection Scheme

Working Ampere Voltage: 5A / 250 VAC



Cable Number	Cable Colour	Contact
1	Red	COM
2	Black	NC
3	Yellow	NA

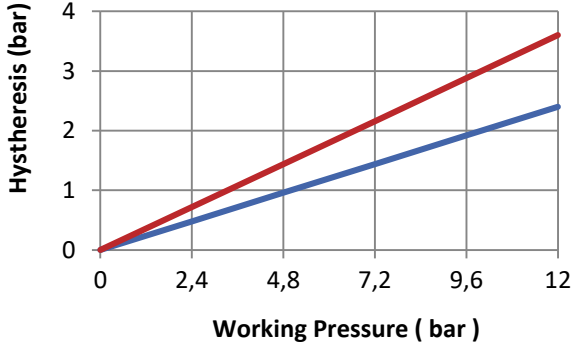
Switch Function

- Terminal 1 - 3 :It has current in case of pressure increasing. (NA)
- Terminal 1 - 2 :It has current in case of pressure decreasing or no pressure. (NC)

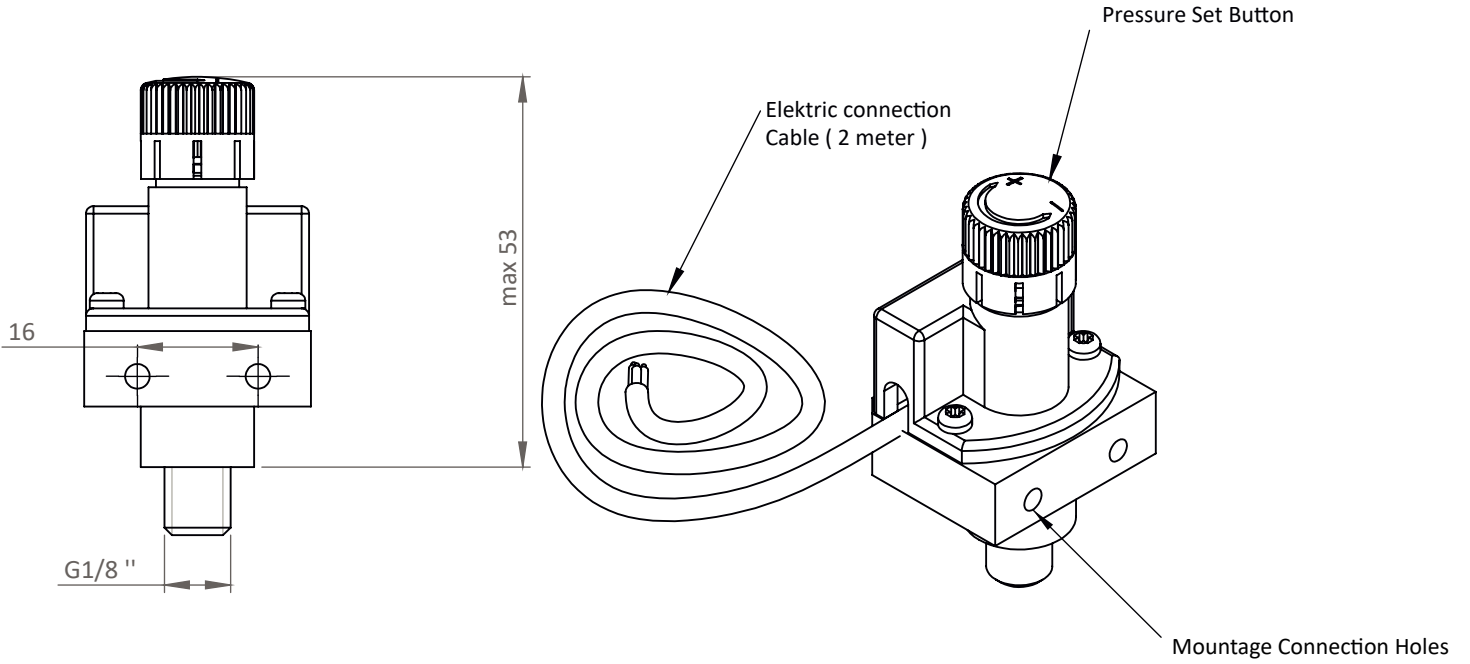
Electrical Connection	EN 175301-803,3-TERMINAL PE
Maximum Contact Surface	1,5 mm ²
Minimum Current	1mA 12 VDC
Maksimum Current	5A 250 VAC

Pressure Differential Difference

Pressure Set Range
0,5 ... 12 bar
max set pressure 12 bar max system pressure 40 bar



Technical Dimensions



PNOMEK

Safe pressure materials..

PNOMEK Hid. Pno. Mak. Kont. Cihazları San. Tic. Ltd. Şti
Çalı Sanayi Bölgesi, Kırmızı Cd. No:16 Nilüfer-BURSA / TÜRKİYE
pnomek@pnomek.com.tr
T.: +90 (224) 251 63 45
F.: +90 (224) 251 63 46