



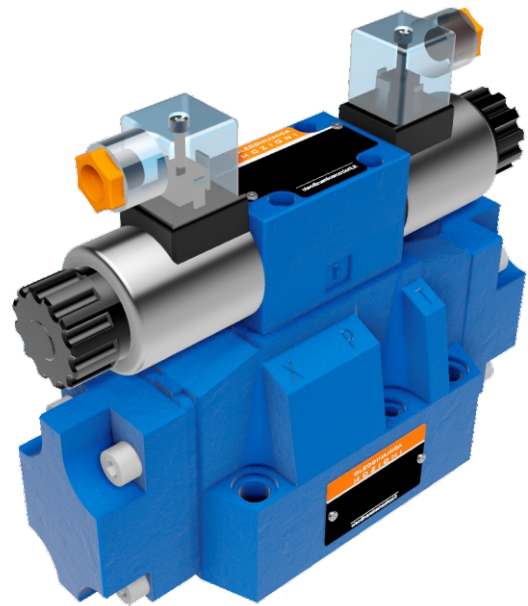
DISTRIBUTORI
OLEODINAMICI

WEH

SOLENOID PILOT OPERATED
DIRECTIONAL CONTROL VALVES



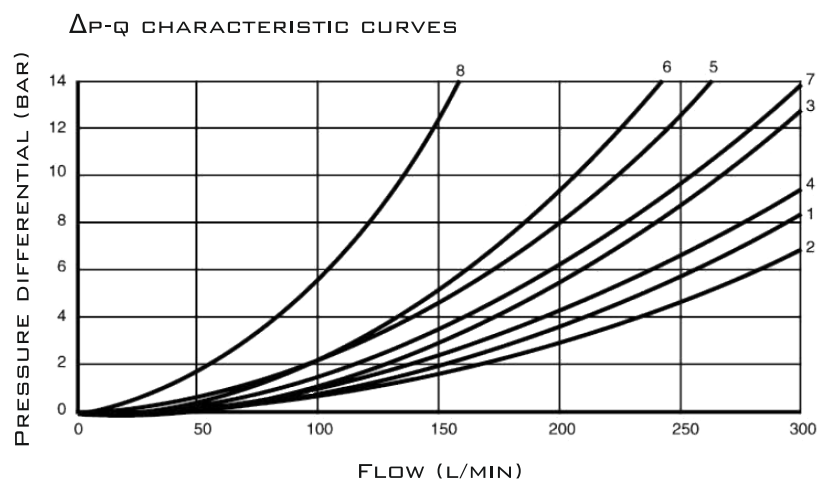
WEH SERIES ARE SOLENOID PILOT OPERATED
SPOOL TYPE VALVES.
THIS SERIES ARE USED TO CONTROL THE
START, STOP AND DIRECTION OF FLOW.



TECHNICAL DATA

SIZE		16	25	32
MAX. FLOW RATE (L/MIN)		300	650	1100
OPERATING PRESSURE (MPA)	A, B, P PORTS	35		
	T PORT	16		
MIN. PILOT PRESSURE (MPA)		0.45 – 1.3	0.45 – 1	0.45 – 1
WEIGHT (KG)		9.5	18	38.5
VALVE BODY (MATERIAL)		CASTING PHOSPHATING SURFACE		

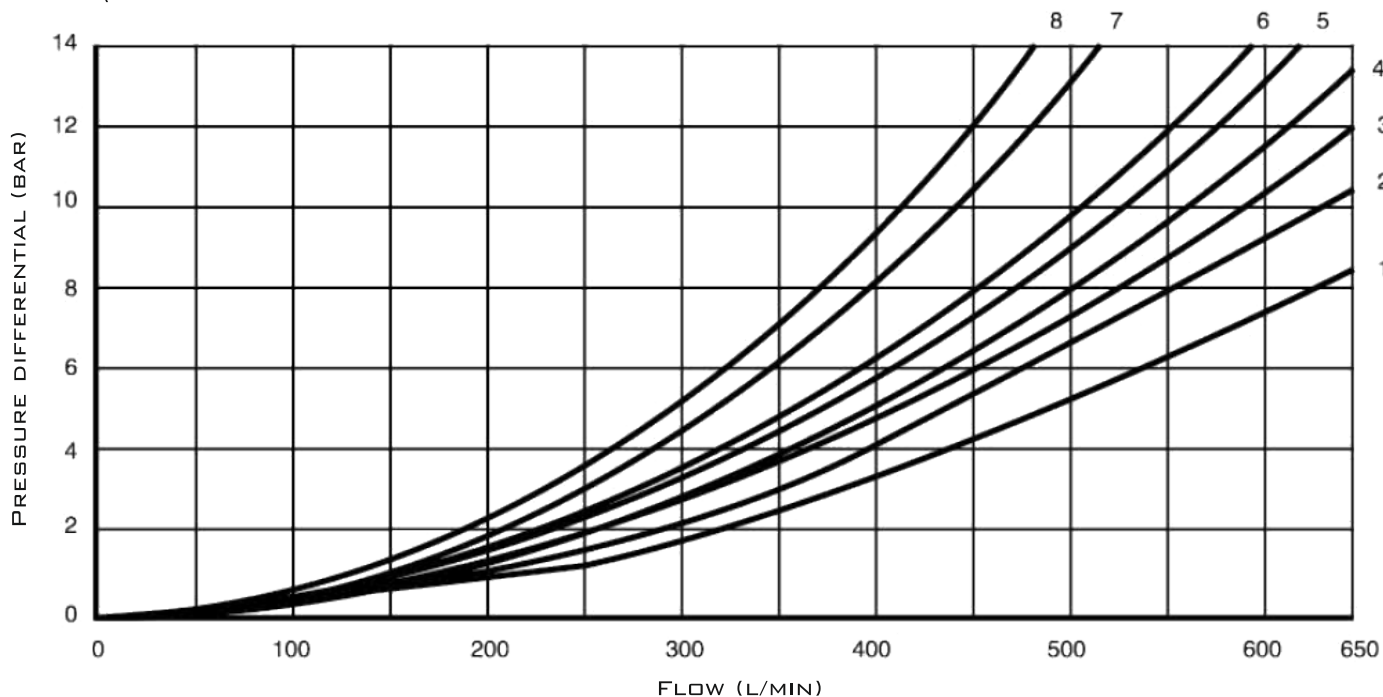
CHARACTERISTIC CURVES 4WEH16...



SPOOL SYMBOL	FLOW DIRECTION				
	P - A	P - B	A - T	B - T	P - T
E, D, Y	1	1	1	3	-
F	2	2	3	2	-
G, T	5	1	3	7	6
H, C, Q, V, Z	2	2	3	3	-
J, K, L	1	1	3	3	-
M, W	2	2	4	3	-
R	2	2	4	-	-
U	1	1	4	7	-
S	4	4	4	-	8

CHARACTERISTIC CURVES 4WEH25...

$\Delta P-Q$ CHARACTERISTIC CURVES

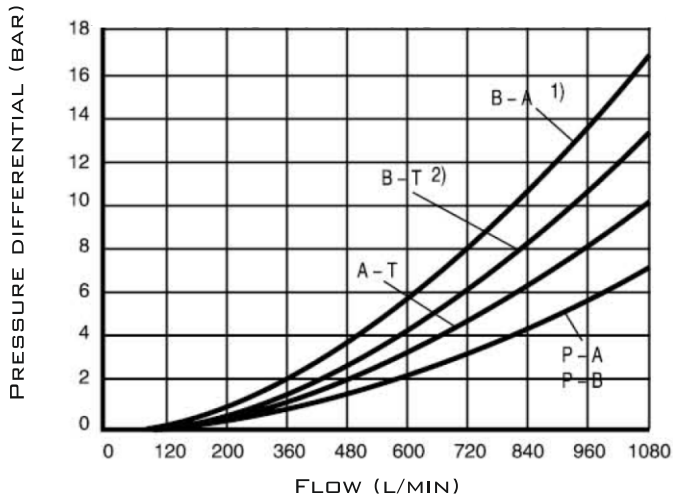


7 CURVE - SPOOL SYMBOL "G" IN CENTRAL POSITION P → T;
8 CURVE - SPOOL SYMBOL "T" IN CENTRAL POSITION P → T.

SPOOL SYMBOL	FLOW DIRECTION			
	P - A	P - B	A - T	B - T
E	1	1	1	3
F	1	4	3	3
G	3	1	2	4
H	4	4	3	4
J, Q	2	2	3	5
L	2	2	3	3
M	4	4	1	4
P	4	1	1	5
R	2	1	1	-
T	3	1	2	4
U	4	1	1	6
V	2	4	3	6
W	1	1	1	3

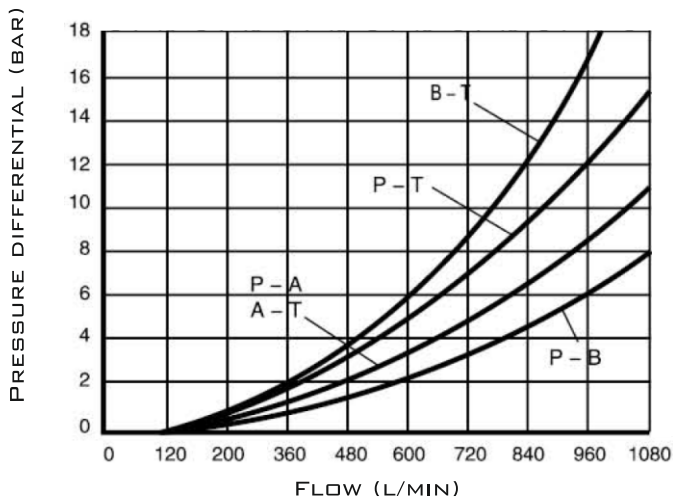
CHARACTERISTIC CURVES 4WEH32...

$\Delta P-Q$ CHARACTERISTIC CURVES - SPOOL TYPE "E", "R", "W"

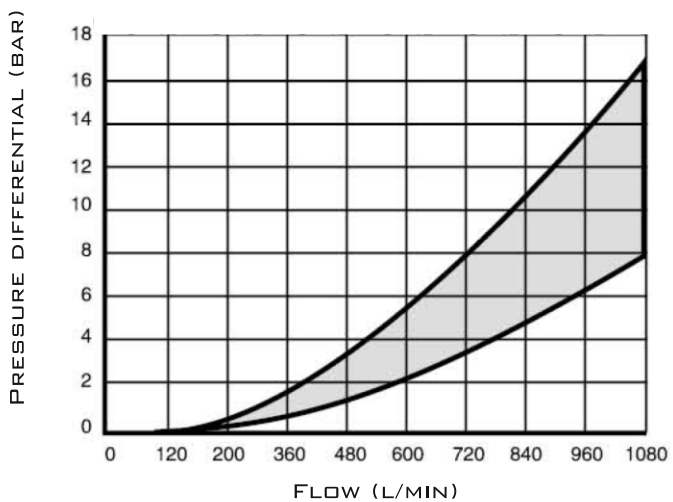


1) ONLY APPLICABLE FOR SPOOL TYPE "R"
2) NOT APPLICABLE FOR SPOOL TYPE "R"

$\Delta P-Q$ CHARACTERISTIC CURVES - SPOOL TYPE "G", "T"

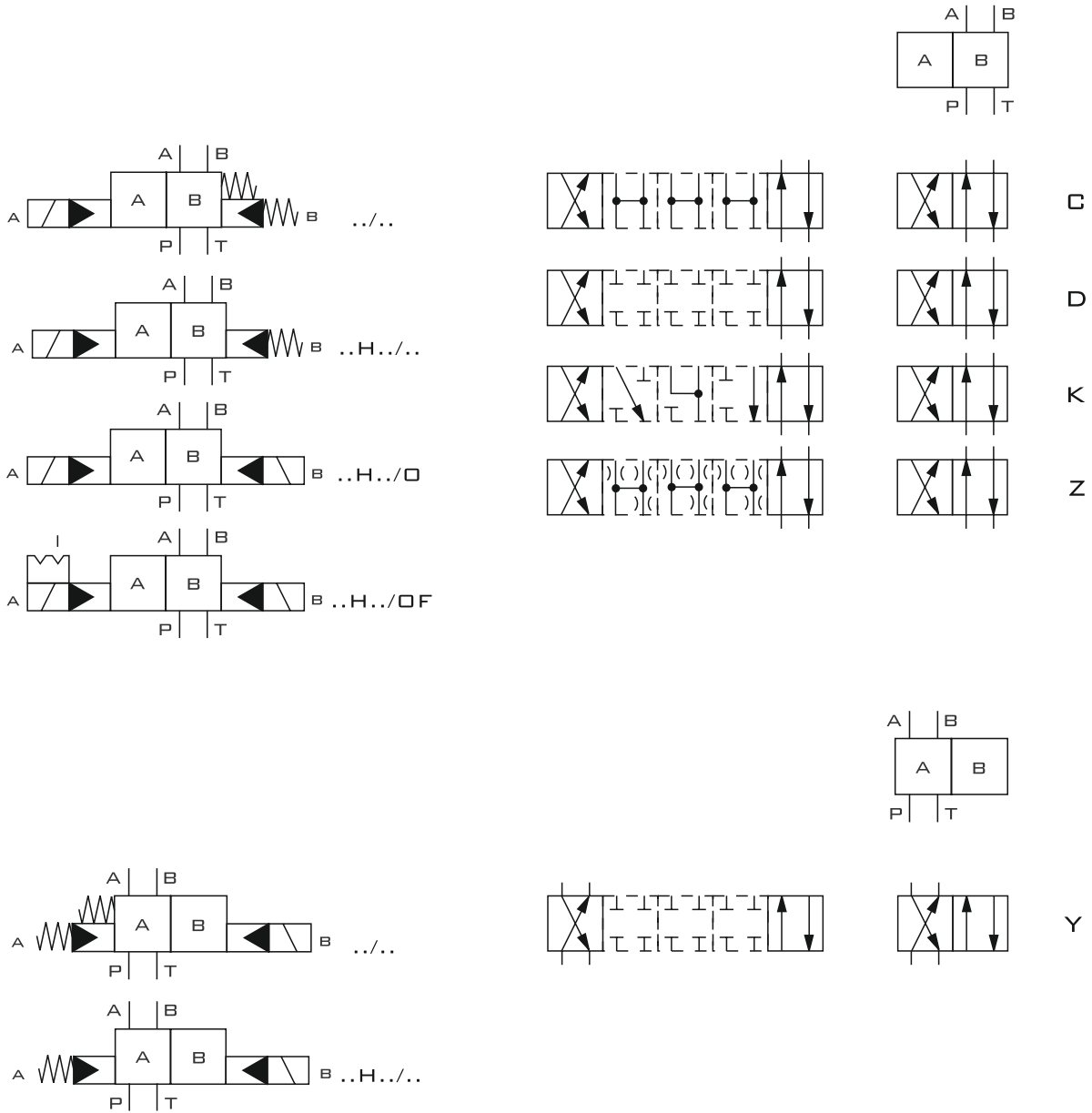


$\Delta P-Q$ CHARACTERISTIC CURVES - ALL SPOOL TYPES



SPOOL SYMBOLS

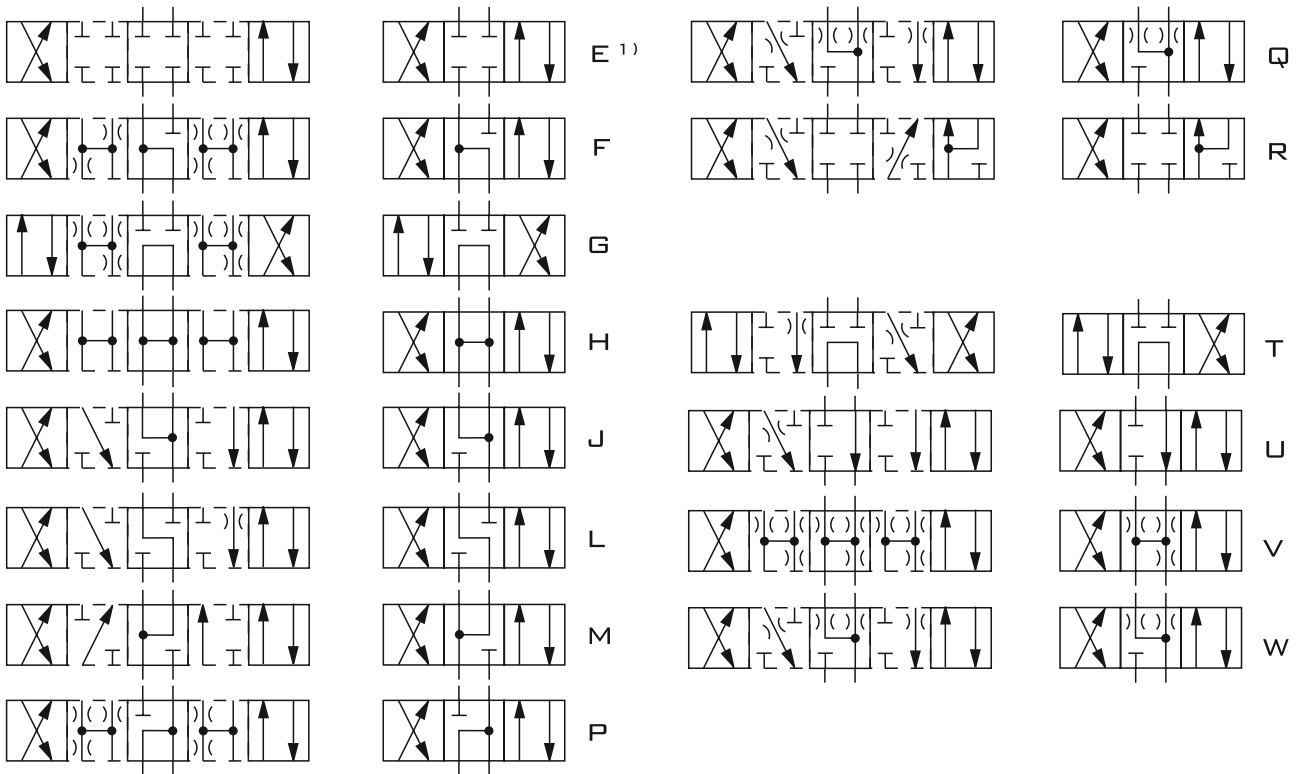
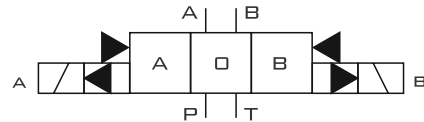
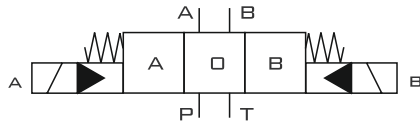
2-POSITION VALVES



SEE ALSO:
WE6, WE10

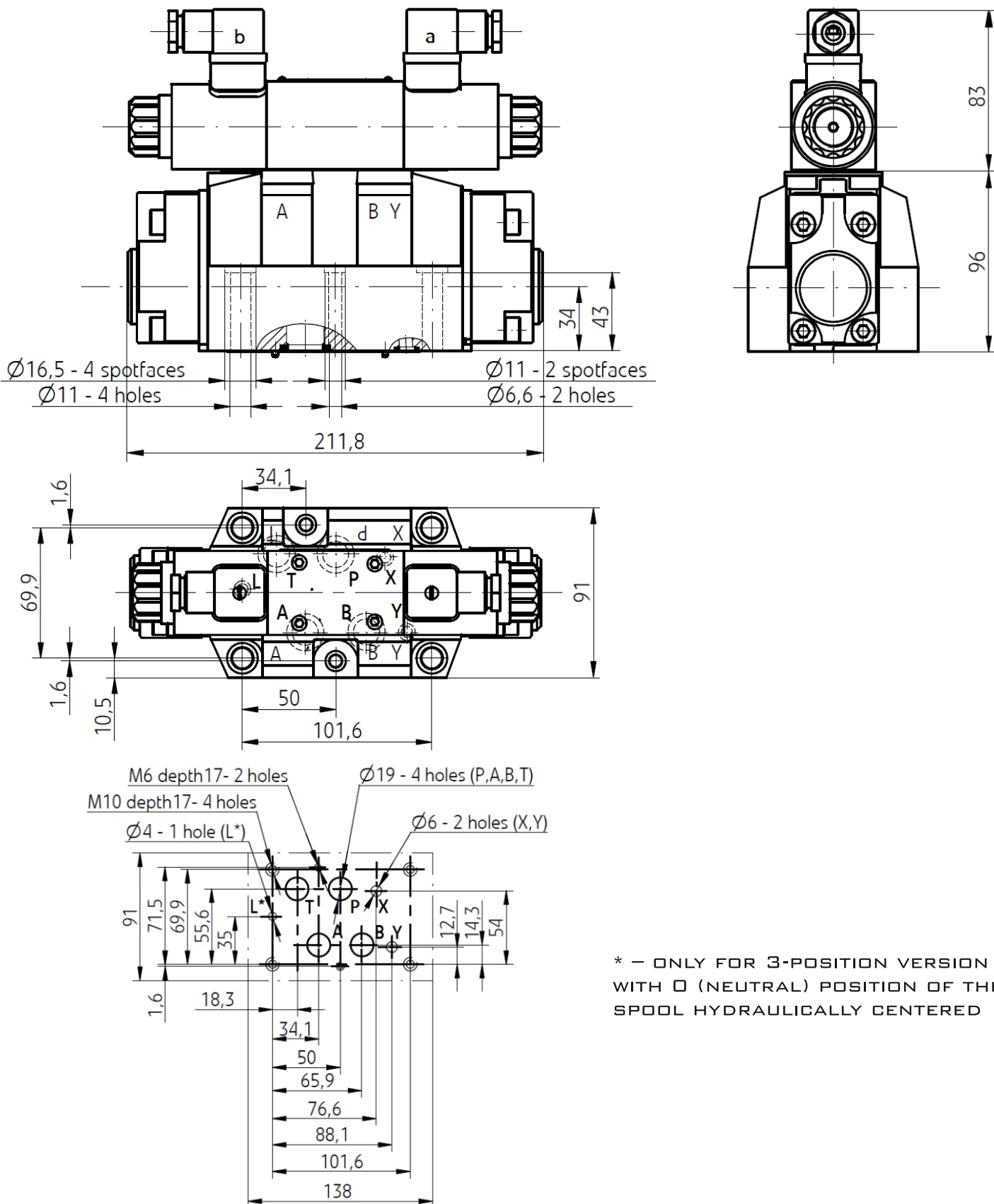
SPOOL SYMBOLS

3-POSITION VALVES



1) EXAMPLE: SYMBOL E WITH ACTUATING SIDE "A" = ORDERING CODE ..EA..

SUBPLATE INSTALLATION DIMENSIONS 4WEH16...



* - ONLY FOR 3-POSITION VERSION
WITH O (NEUTRAL) POSITION OF THE
SPOOL HYDRAULICALLY CENTERED

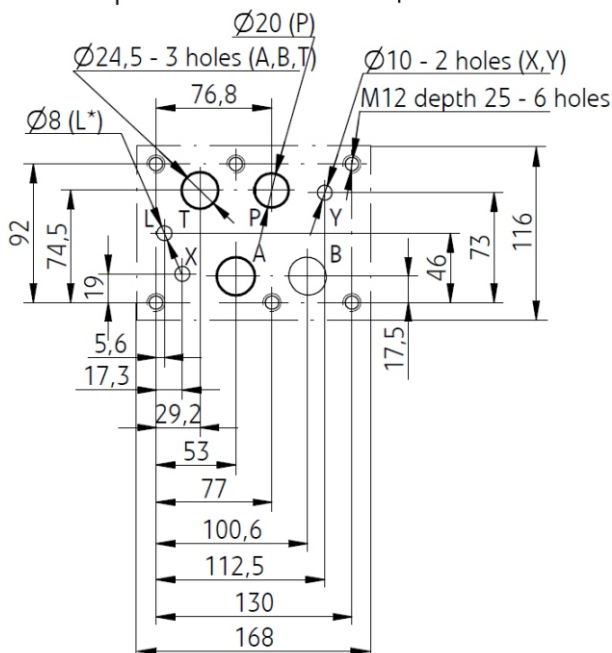
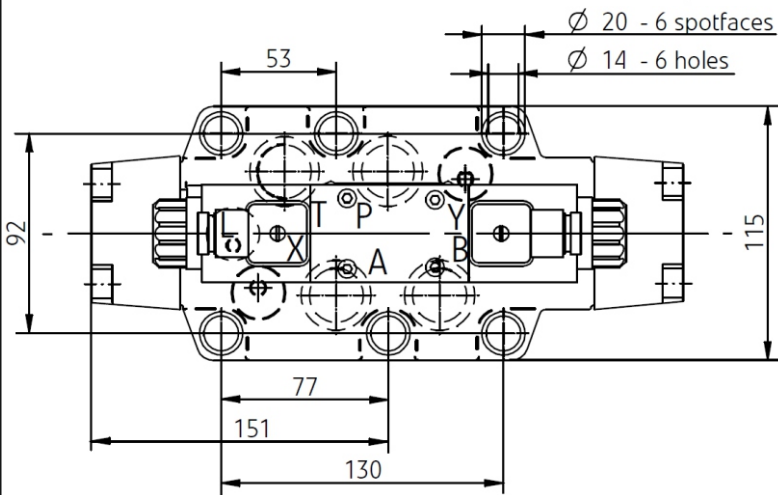
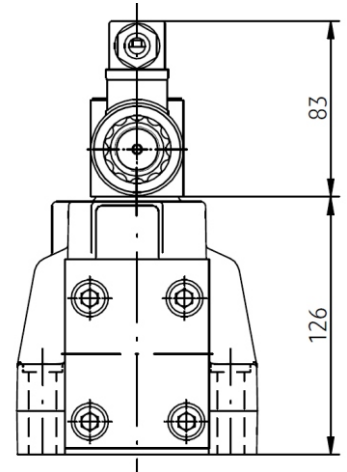
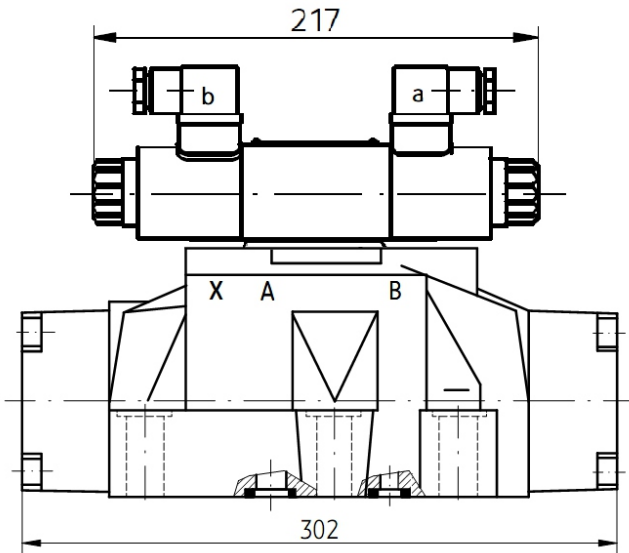


**DISTRIBUTORI
OLEODINAMICI**

WEH

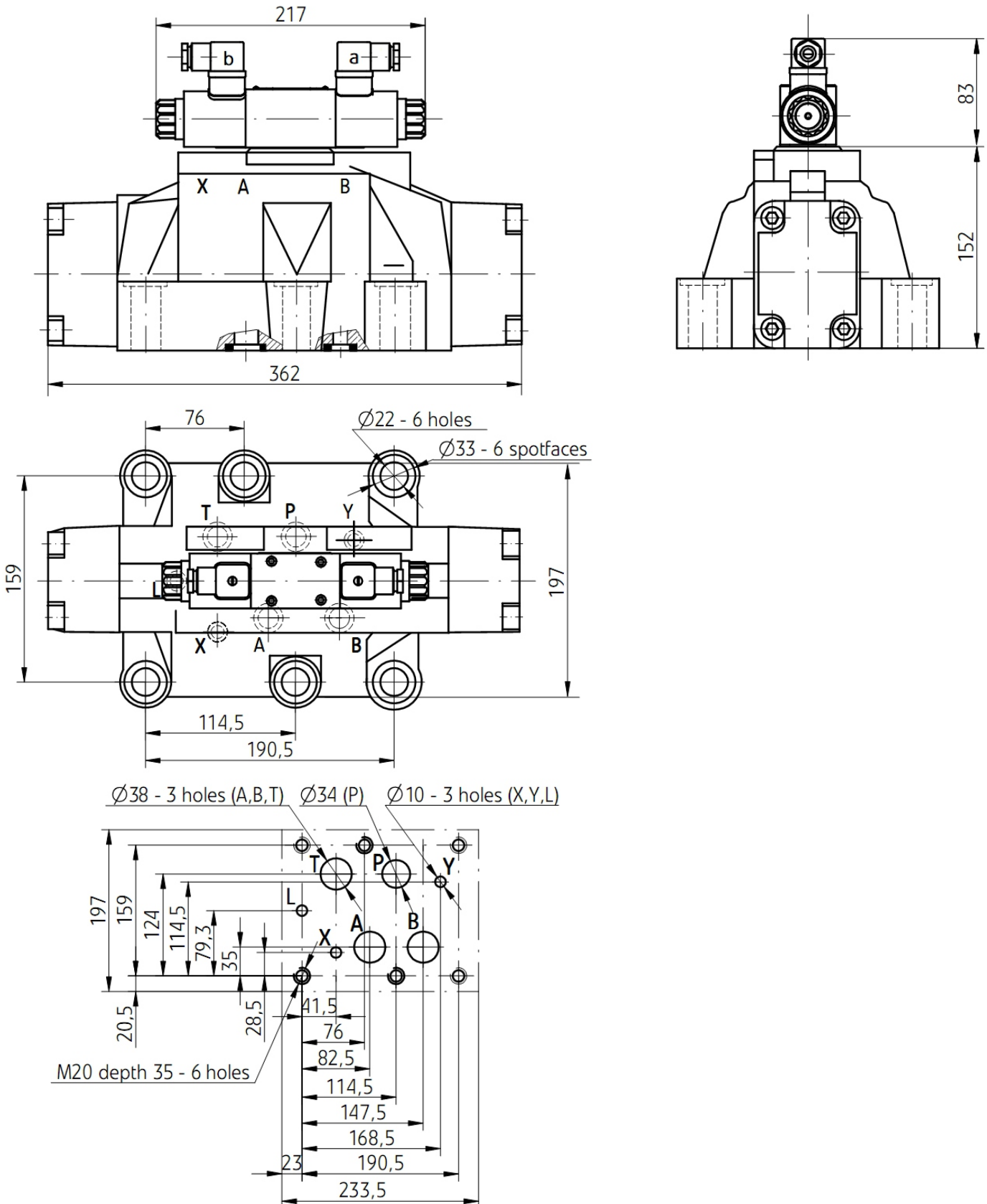
**SOLENOID PILOT OPERATED
DIRECTIONAL CONTROL VALVES**

SUBPLATE INSTALLATION DIMENSIONS 4WEH25...

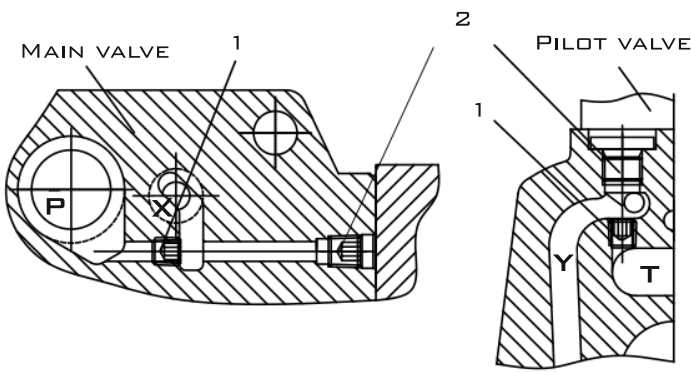


* - ONLY FOR 3-POSITION VERSION
WITH O (NEUTRAL) POSITION OF THE
SPOOL HYDRAULICALLY CENTERED

SUBPLATE INSTALLATION DIMENSIONS 4WEH32...



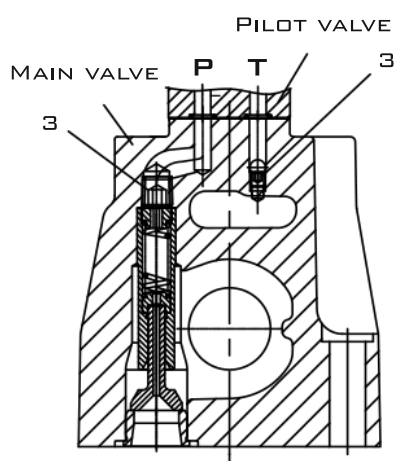
PILOT FLUID SUPPLY



4WEH16

1. CONVERSION BETWEEN INTERNAL SUPPLY AND EXTERNAL SUPPLY:
DISMOUNTING PLUG SCREW (2) FROM P CHANNEL ON THE SIDESURFACE OF MAIN VALVES AND INSTALLING M6 BOLT (1) IS INTERNAL SUPPLY. DISMOUNTING M6 PLUG BOLT (1) IS INTERNAL SUPPLY.

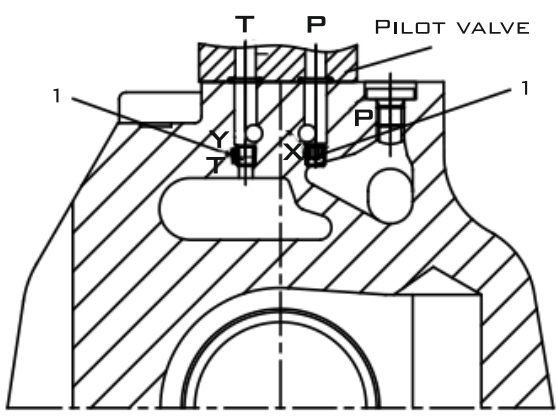
2. CONVERSION BETWEEN INTERNAL DRAIN AND EXTERNAL DRAIN:
DISMOUNTING PLUG SCREW (2) FROM T HOLE ON THE TOP OF MAIN VALVES AND INSTALLING M6 PLUG BOLT (1) IS INTERNAL DRAIN. DISMOUNTING M6 BOLT (1) IS EXTERNAL DRAIN.



4WEH25

1. CONVERSION BETWEEN INTERNAL SUPPLY AND EXTERNAL SUPPLY:
P CHANNEL ON THE TOP OF MAIN VALVE BODIES WITH M6 BOLT (3) IS EXTERNAL SUPPLY AND WITH M6 BOLT (3) DISMOUNTED IS INTERNAL SUPPLY.

2. CONVERSION BETWEEN INTERNAL DRAIN AND EXTERNAL DRAIN:
DISMOUNTING PLUG BOLT (3) FROM T HOLE ON THE TOP OF MAIN VALVES AND INSTALLING M6 PLUG BOLT (1) IS INTERNAL DRAIN. DISMOUNTING M6 BOLT (1) IS EXTERNAL DRAIN.



4WEH32

1. CONVERSION BETWEEN INTERNAL SUPPLY AND EXTERNAL SUPPLY:
DISMOUNTING PLUG SCREW (1) FROM P HOLE ON THE UNDERSURFACE OF MAIN VALVES AND INSTALLING M6 BOLT (1) IS INTERNAL SUPPLY. DISMOUNTING M6 PLUG BOLT (1) IS INTERNAL SUPPLY.

2. CONVERSION BETWEEN INTERNAL DRAIN AND EXTERNAL DRAIN:
DISMOUNTING PLUG SCREW (1) FROM T HOLE ON THE TOP OF MAIN VALVES AND INSTALLING M6 PLUG BOLT (1) IS INTERNAL DRAIN. DISMOUNTING M6 BOLT (1) IS EXTERNAL DRAIN.

WEH

SOLENOID PILOT OPERATED
DIRECTIONAL CONTROL VALVES

DISTRIBUTORI
OLEODINAMICI



ORDER CODE

H	4	WEH																																							
---	---	-----	--	--	--	--	--	--	--	--	--	--	--	--	--	--	--	--	--	--	--	--	--	--	--	--	--	--	--	--	--	--	--	--	--	--	--	--	--	--	--

H=WORKING
PRESSURE
35 MPA

4=4-WAY

16=16 SIZE
25=25 SIZE
32=32 SIZE

H=HYDRAULIC RETURN
NO CODE=SPRING RETURN

SPOOL TYPE

60=60 SERIES

NO CODE=WITH SPRING RETURN
□=WITHOUT SPRING RETURN
□F=WITHOUT SPRING RETURN
WITH DETENT

E=STANDARD SOLENOID

G12=DC12V
G24=DC24V
W110R=AC110V
W220R=AC220V

N9=WITH CONCEALED HAND EMERGENCY

NO CODE=EXTERNAL PILOT, EXTERNAL DRAIN
E=INTERNAL PILOT, EXTERNAL DRAIN
ET=INTERNAL PILOT, INTERNAL DRAIN
T=EXTERNAL PILOT, INTERNAL DRAIN

NO CODE=MINERAL
SUBSTANCE
HYDRAULIC OIL
V=PHOSPHATE EATER
HYDRAULIC OIL

NO CODE=WITHOUT
PRESSURE REDUCING
VALVE
D3=WITH PRESSURE
REDUCING VALVE

NO CODE=WITHOUT
PRE-LOAD VALVE
PO.45=WITH 0.45 MPA
PRE-LOAD VALVE
PO.6=WITH 0.6 MPA
PRE-LOAD VALVE

NO CODE=WITHOUT
THROTTLE INSERT
B0.8=THROTTLE 0.8 MM
B1.0=THROTTLE 1.0 MM
B1.2=THROTTLE 1.2 MM

Z5L=SQUARE PLUG WITH LAMP

NO CODE=WITHOUT SHIFTING
TIME ADJUSTMENT
S=WITH SHIFTING TIME
ADJUSTMENT: INLET FLOW
CONTROL
S2=WITH SHIFTING TIME
ADJUSTMENT: OUTLET FLOW
CONTROL