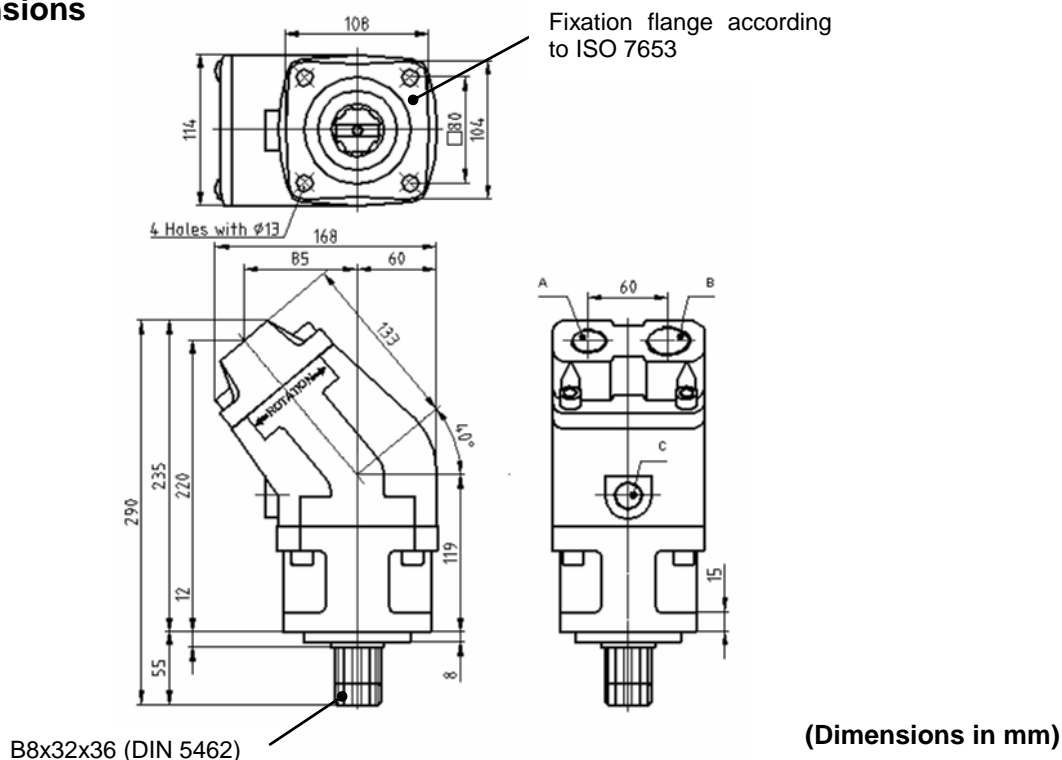


## Main Dimensions



## Main Data

Pumps BI	25M	30M	40M	50M
Displacement (cm <sup>3</sup> /rot.)	26	32	42	50
Operating pressure (bar) (up to)	350	350	350	350
Peak pressure (bar)	400	400	400	400
Operating rotation <sup>1</sup> (rpm)	2500	2500	2300	2100
Max. rotation without load <sup>1</sup> (rpm)	2800	2800	2600	2400
Weight (approx.) (kg)	9.5	9.7	9.9	10.0
Pistons quantity	5			
A-Oil outlet (DIN ISO 228)	3/4" BSP	3/4" BSP	3/4" BSP	3/4" BSP
B-Oil inlet (DIN ISO 228)	1" BSP	1" BSP	1" BSP	1" BSP
C	Drain hole			

### How to order:

**Example:** Pump 50cm<sup>3</sup>/rot; operating pressure up to 350 bar; peak pressure 400 bar, ref. BI M → BI50M

Fluids	mineral oils type ISO HM or DIN 51524-2 HLP
Recommended viscosity range	20 to 40 cSt (mm <sup>2</sup> /s) at working temperature
Limits viscosity range	10 to 750 cSt (mm <sup>2</sup> /s)
Start-up viscosity range, without load	750 to 1500 cSt (mm <sup>2</sup> /s)
Filtration	10µm ISO4406 18/13
Inlet pressure range	0,8 to 2 bar abs
In the application of any of these pumps; the use of these data does not exempt the reading of the instruction "BI pumps recommendations before start-up"	

<sup>1</sup> These values are valid at an absolute pressure of 1 bar in suction port when operating with a mineral oil at a viscosity of 30 mm<sup>2</sup>/s (cSt).

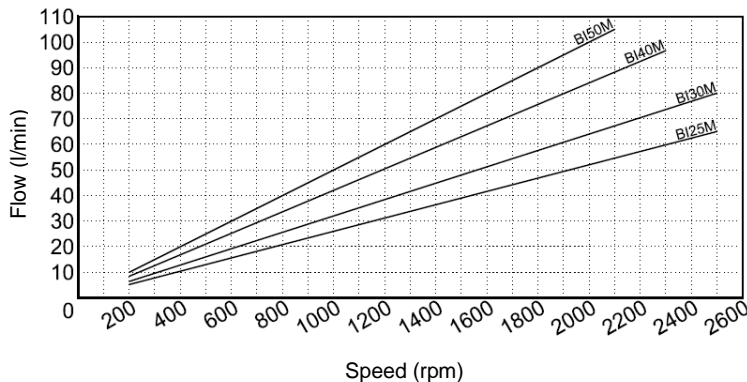
ABER is constantly engaged in improving its products and, therefore, reserves itself the right to modify without any further notice the characteristics shown



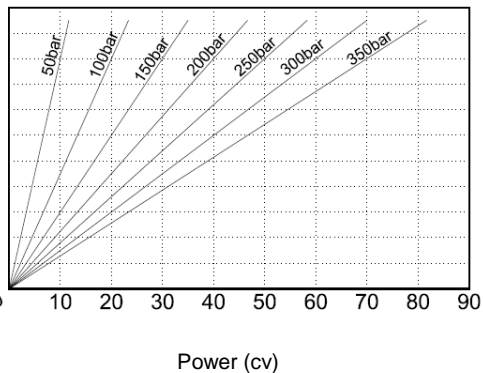
# OIL-HYDRAULIC BENT PUMP AXIAL PISTONS

Ref. BI M

**Diagram  
Flow - Speed**



**Diagram  
Input Power - Flow - Pressure**



## Hose dimensions

Inlet Hose	
Flow (l/min)	Internal pipe diameter (inch)
30-40	1"1/4
50-60	1"1/2
70-90	1"3/4
100-120	2"

Outlet Hose					
Flow (l/min)	Internal pipe diameter (inch)				
	30	1/2"	1/2"	1/2"	1/2"
40	5/8"	1/2"	1/2"	1/2"	1/2"
50	5/8"	5/8"	5/8"	1/2"	1/2"
60	3/4"	5/8"	5/8"	5/8"	5/8"
70	1"	3/4"	3/4"	5/8"	5/8"
80	1"	3/4"	3/4"	3/4"	3/4"
90	1"	1"	1"	3/4"	3/4"
100	1"	1"	1"	1"	3/4"
110	1"	1"	1"	1"	1"
	50-100	100-150	150-200	200-300	300-350
	<b>P (bar)</b>				

### Important notes:

- To install one of these pumps, please consult and respect the instruction "BI pumps recommendations before start-up";
- Other axis available, please consult "Axel options".

ABER is constantly engaged in improving its products and, therefore, reserves itself the right to modify without any further notice the characteristics shown



**ABER - Embraiagens e Comandos Hidráulicos - A. B. LDA**  
 Rua Francisco de Almeida, Nº 30 – Vila Nova da Telha – 4470 MAIA - Portugal  
 Telefone: +351.22.9438070 Fax: +351.22.9420823 e-mail: [aber@aber.pt](mailto:aber@aber.pt) <http://www.aber.pt>