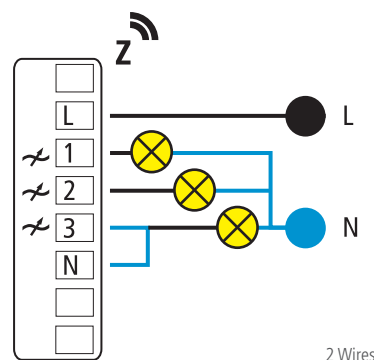
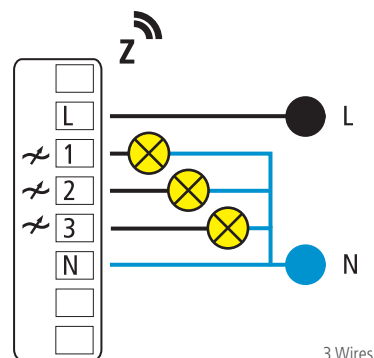


## Vitrum III EU Dimmer Wireless

cod. 01E030010



### FUNCTIONAL SPECIFICATION

- Three-button light switch
- Touch control with capacitive technology and concave surface for tactile Feedback
- Acoustic feedback signal
- Crown backlit by low-consumption LEDs

### COMMAND MODE

- 3 capacitive button with "On-Off" control
- Dimming touch
- Single short pressure for "On-Off"
- Keeping pressure: light increase from 0 to 100%
- ECO Function: steps 0 -65%-100%

### MECHANICAL CHARACTERISTICS

- Fitting Box 503 (wall or plasterboard)
- Dimension 126x95mm
- Depth at sight 8 mm
- Operating temperature: 0-40°C
- Button Diameter 16 mm
- Light ring diameter 20 mm
- Weight: 230 grammi

### ELECTRICAL CHARACTERISTICS

- Power: 230V ac
- Energy consumption: < 1W
- 2 wires wiring with load > 40 VA, 3 wires wiring with load < 40 VA
- Output power per channel > 20 VA e < 100VA (Max 300VA totali)
- Control of following lamp:
  - incandenscent
  - halogenhalogen / fluorescent dimmable (DULUX EL Osram e Philips)
- Universal power control: (trailing / leading edge mode)
- Protection for overload and short circuit
- Power Mosfet Technology
- Wireless Z-wave Protocol
- Frequency of communication: F.M. 868.4MHz - R.F radiated power < 1mW
- R.F. Range: 20 m. MAX (open field)

Compliant with:

**B.T.:** 2006/95/CE

**E.M.C.:** 2004/108/CE

**R&TTE:** 1999/5/CE