

Eastron Single phase Meter Installation

Model: SDM230- Modbusv2 /SDM230- Modbus



Zhejiang Eastron Electronic Co.,Ltd.

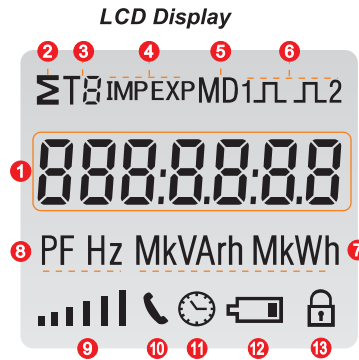
01

INTRODUCTION

Eastron Smart Meter is designed with high precision small dimensions, convenient operation and installation.

It is available for both single-phase and three-phase grid system connection to detect voltage, current, power and energy.

Any fault or damage caused by misoperation or disobeyal against the rules on manual is beyond Acrel warrenty cover range



NO.	Descriptions
1	7 digits used to display measured values
2	Total value
3	Tariff information
4	Import information, Export information
5	Max. Demand for Power or Current.
6	Pulse output 1and Pulse output2
7	Measurement units
8	PF = power factor Hz = frequency
9	Bar display of Power
10	Communication indicator
13	Lock symbol

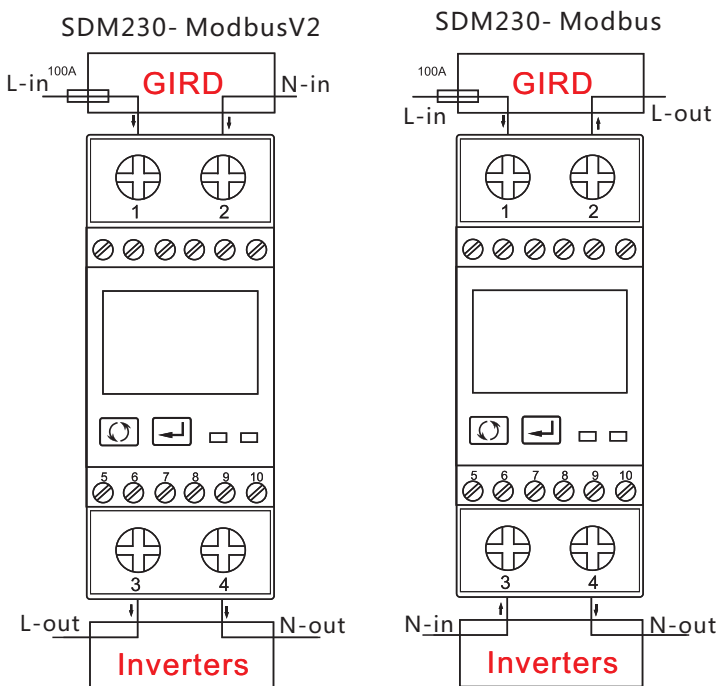
NOTE:

Only suitable for RS485 cable connection on RJ45 port of sermatec hybrid inverters.

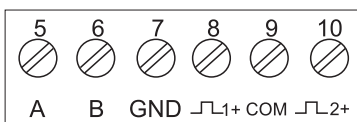
02

OVERVIEW

2.1 SMART METER OVERVIEW



SDM230- Modbusv2/SDM230- Modbus



03

INSTALLATION INSTRUCTION

3.1 NSTALLATION ENVIRONMENT

Protection Class: IP20(for indoor use)
Operating Temperature: -20~60C

3.2 INSTALLATION (with DIN track)

- 1) Pull to release the retaining clip
- 2) Mount the Meter on the track and push the retaining clip up (a click sound indicates it is installed well)

