

BIN T420



BIN - Storage Capacity up to 200 kg

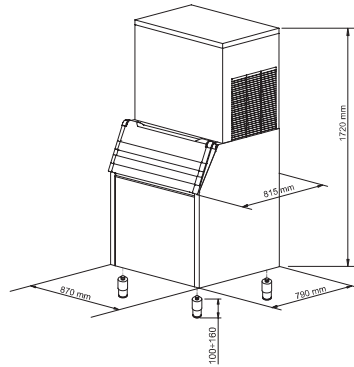
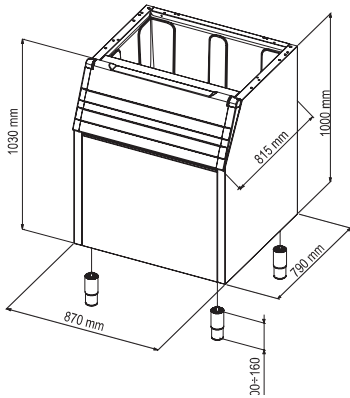
● Technical information

Store capacity, up to	200 kg
Sizes (L-P-H mm) *	870 - 815 - 1000
Sizes with pack (L-P-H mm)	920 - 850 - 1175
Net weight	63 kg
Gross weight	78 kg
Finish	AISI 304 stainless steel, scotch brite

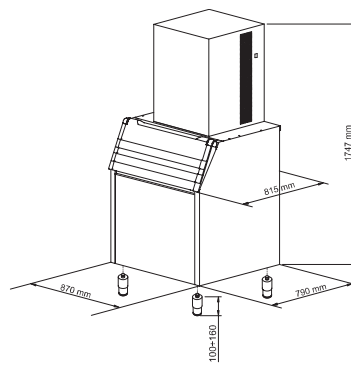
● Usable with

- CM 350
- CV 305-475-950
- GM 360-600-1200
- GM 1200 Split
- GM 1500 Split CO₂
- MGT 310-560-900
- SM 500

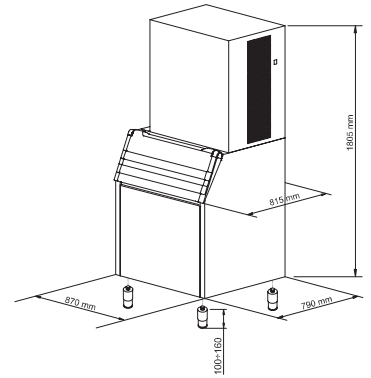
* Adjustable foot 100-160 mm



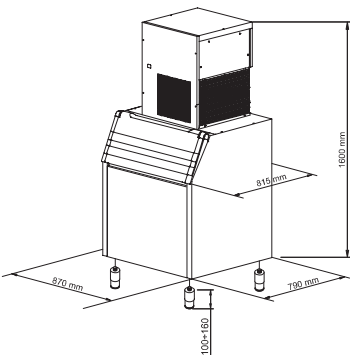
BIN T420 - CM 350



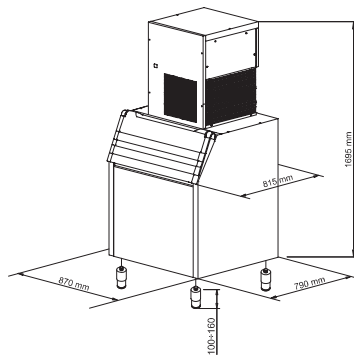
BIN T420 - CV 305



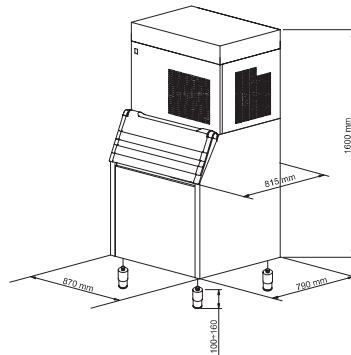
BIN T420 - CV 475/950



BIN T420 - GM 360 - MGT 310



BIN T420 - GM 600 - GM 1200 Split
Gm 1500 Split CO₂ - MGT 560/900



BIN T420 - SM 500