

SPARE PARTS EXPLODED VIEW GAS-WALL BOILER ATM. BURNER

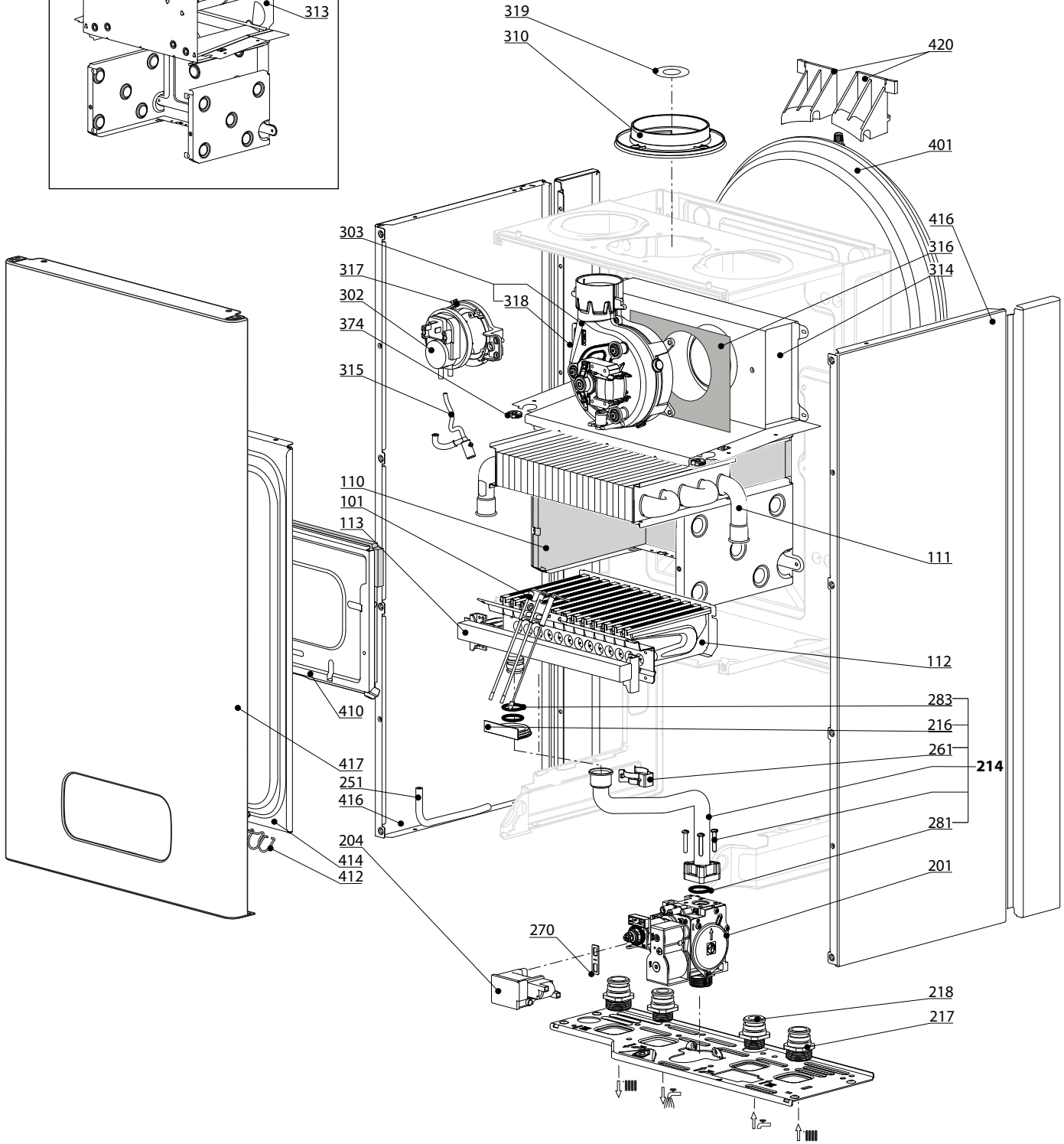
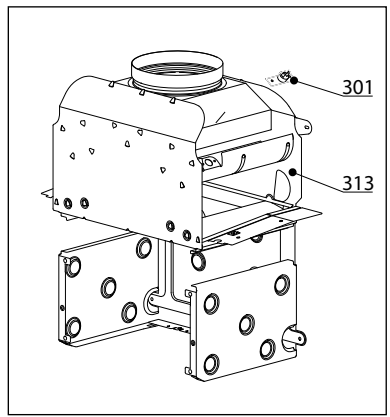
Model

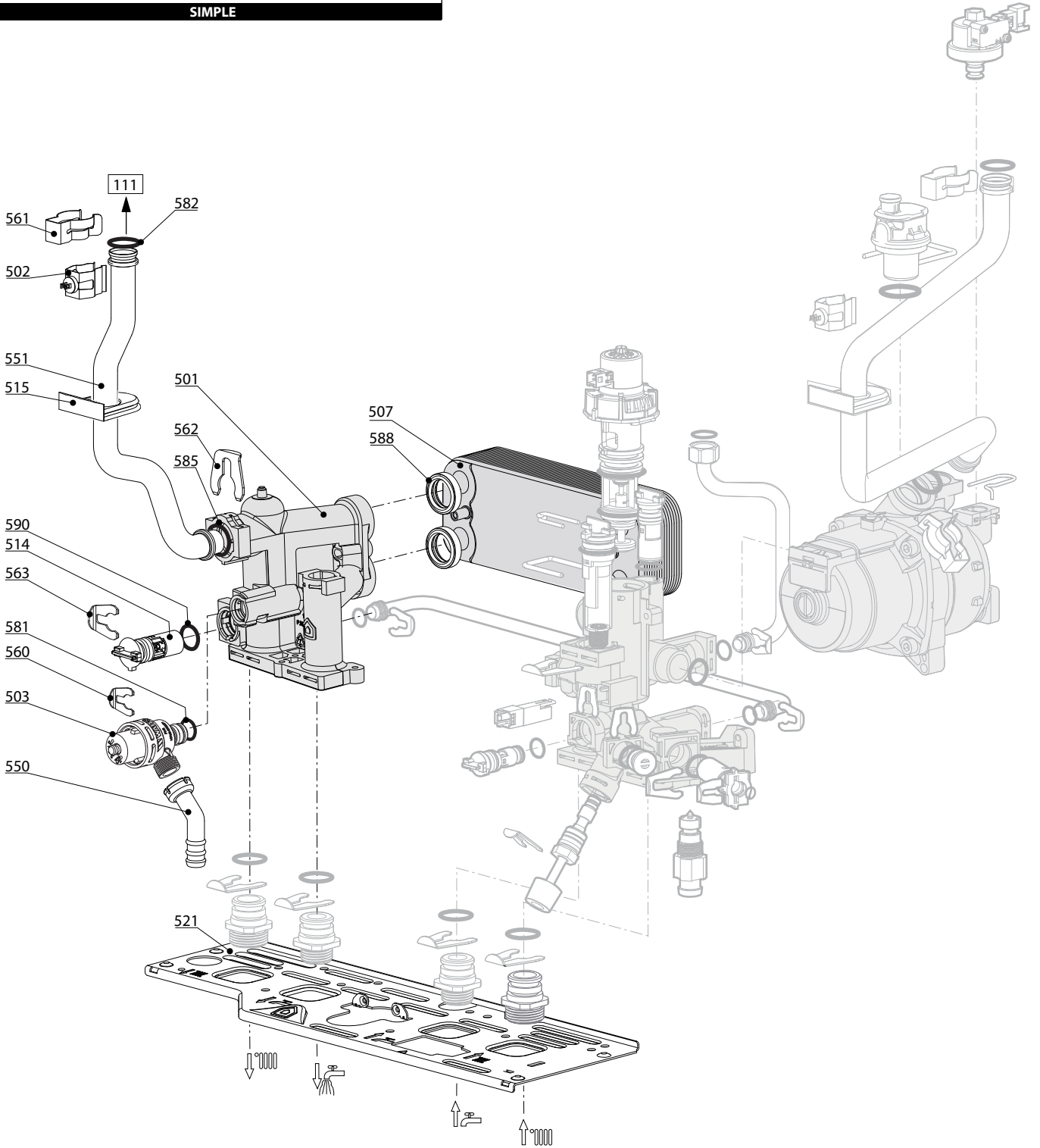
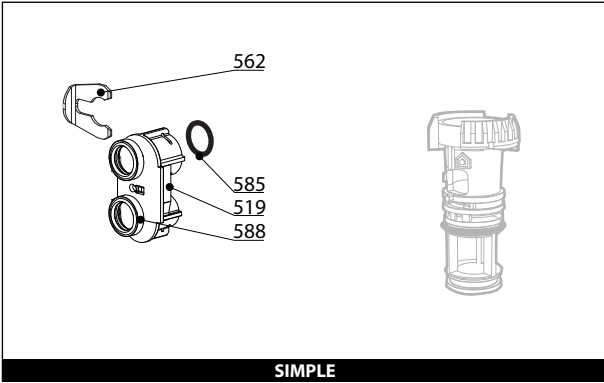
ALIXIA ULTRA - INOA ULTRA

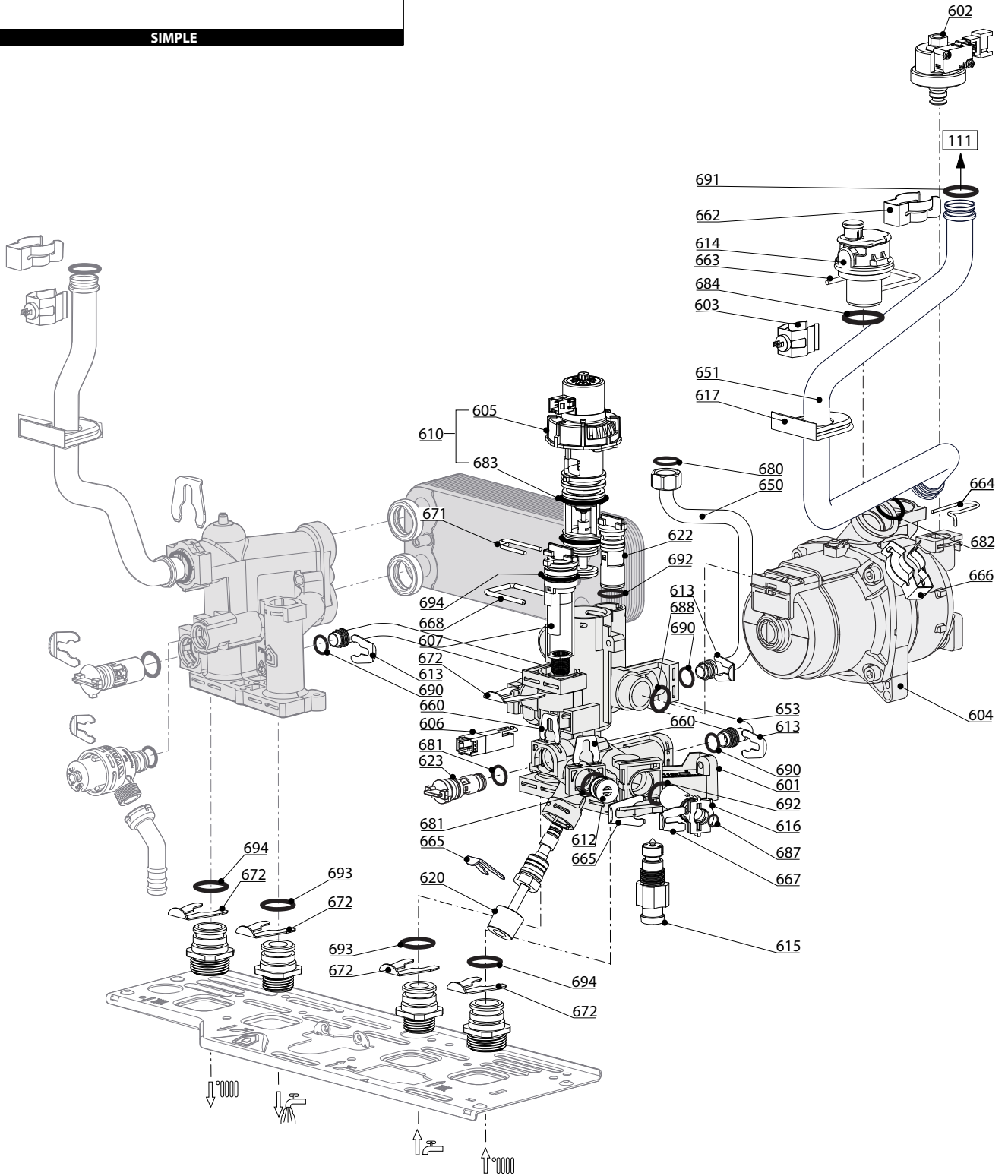
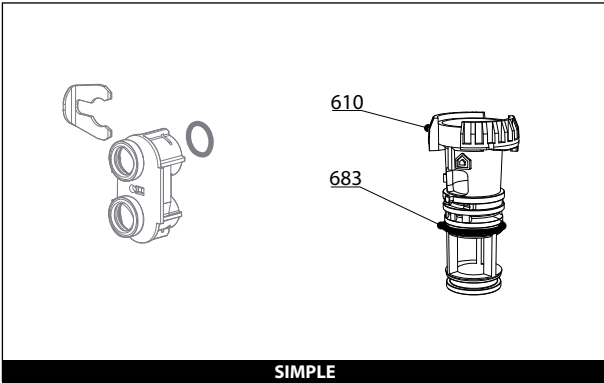
R8203478-05 - 11/09/2019

1	3310523	ALIXIA ULTRA 20 CF NG TU	04-2017	07-2018
2	3310525	ALIXIA ULTRA 24 CF NG	04-2017	-
3	3310521	ALIXIA ULTRA 15 FF NG	04-2017	-
4	3310522	ALIXIA ULTRA 18 FF NG	04-2017	-
5	3310524	ALIXIA ULTRA 20 FF NG TU	04-2017	07-2018
6	3310526	ALIXIA ULTRA 24 FF NG	04-2017	-
7	3310527	ALIXIA SIMPLE ULTRA 18 CF	04-2017	-
8	3310539	ALIXIA SIMPLE ULTRA 24 CF	04-2017	-
9	3310528	ALIXIA SIMPLE ULTRA 18 FF	04-2017	-
10	3310538	ALIXIA SIMPLE ULTRA 24 FF	04-2017	-
11	3310556	INOA ULTRA 24 FF	05-2017	-
Col	Reference	Model type	Begin	End

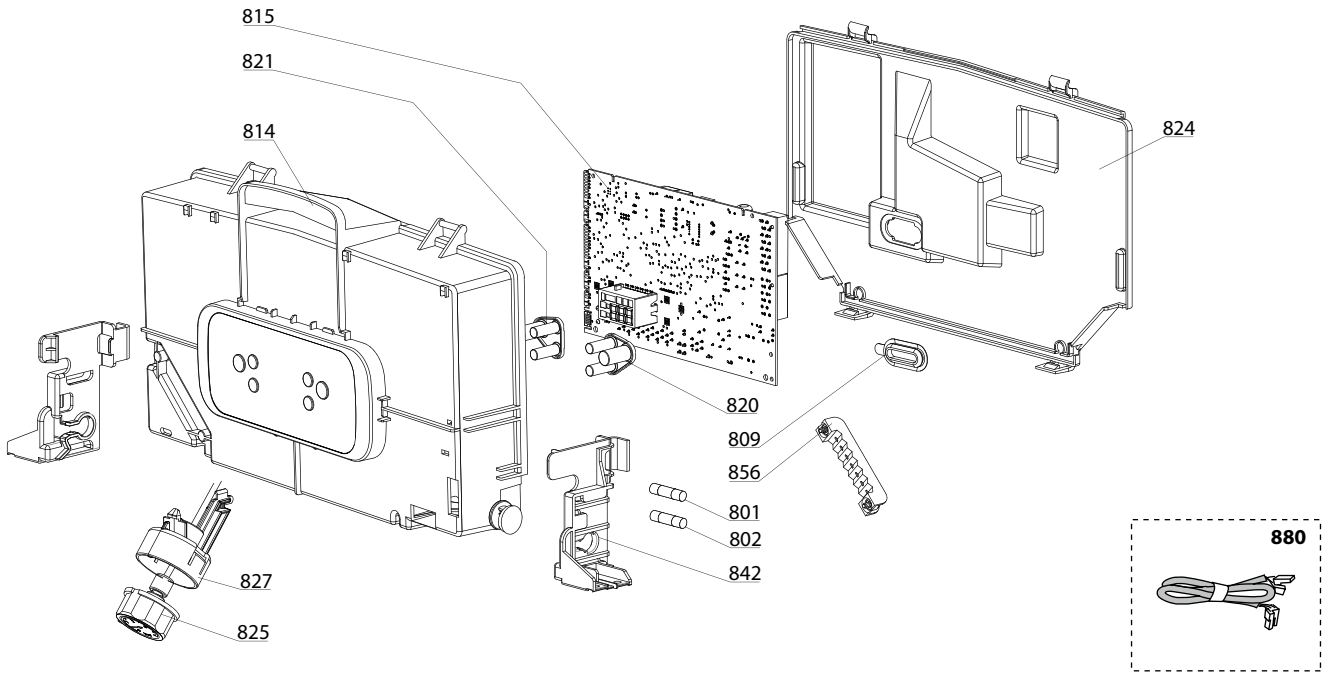
- 100
- 200
- 300
- 400



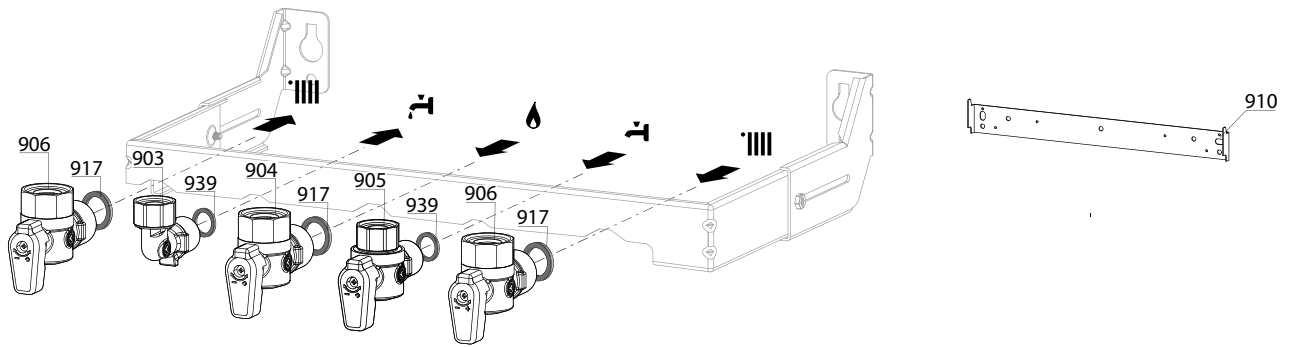




800



900



5000

5001
 Transf. gaz
 Conv. gas
 Trsf. gas
 Transf. gas
 > **G31**
 (LPG - GPL)

5002
 Transf. gaz
 Conv. gas
 Trsf. gas
 Transf. gas
 > **G20**
 (NAT - MET)

☉⇒	Description	Manf. Pt. N	Type	<div style="display: flex; justify-content: space-between; text-align: center;"> ALIXIA ULTRA 20 CF ALIXIA ULTRA 24 CF ALIXIA ULTRA 15 FF ALIXIA ULTRA 18 FF ALIXIA ULTRA 20 FF ALIXIA ULTRA 24 FF ALIXIA SIMPLE 18 CF ALIXIA SIMPLE 24 CF ALIXIA SIMPLE 18 FF ALIXIA SIMPLE 24 FF </div>																		From	to
				1	2	3	4	5	6	7	8	9	10	11	12	13	14	15	16	17	18		
0800	ELECTRICAL BOX																						
0801	FUSE 5X20 RIT. 2 A 250V	65112137		●	●	●	●	●	●	●	●	●	●	●	●	●	●	●	●				
0802	FUSE RIT. 1A25 P5.08 NO RIP	65119500		●	●	●	●	●	●	●	●	●	●	●	●	●	●	●	●				
0809	GROMMET (PCD TOOL ACCESS)	998382		●	●	●	●	●	●	●	●	●	●	●	●	●	●	●	●				
0814	CONTROL PANEL COVER (FRONT)	60002837		●	●	●	●	●	●	●	●	●	●	●	●	●	●	●	●				
0815	P.C.B. (MAIN)	65115782-02		●	●	●	●	●	●	●	●	●	●	●	●	●	●	●	●				
0820	PUSH BUTTON (R.H.SIDE)	65153181		●	●	●	●	●	●	●	●	●	●	●	●	●	●	●	●				
0821	PUSH BUTTON (L.H.SIDE)	65153180		●	●	●	●	●	●	●	●	●	●	●	●	●	●	●	●				
0824	CONTROL PANEL COVER (REAR)	65115820		●	●	●	●	●	●	●	●	●	●	●	●	●	●	●	●				
0825	PRESSURE GAUGE 0-4 BAR D27MM KPL.	65114200		●	●	●	●	●	●	●	●	●	●	●	●	●	●	●	●				
0827	SUPPORT (PRESSURE GAUGE)	65115809		●	●	●	●	●	●	●	●	●	●	●	●	●	●	●	●				
0842	SIDE COVER SUPPORT	65115811		●	●	●	●	●	●	●	●	●	●	●	●	●	●	●	●				
0856	CABLE CLAMP	65103377		●	●	●	●	●	●	●	●	●	●	●	●	●	●	●	●				
0880	3-WAY VALVE CABLE	65115790		●	●	●	●	●	●	●									●				
	3-WAY VALVE CABLE	65116234								●	●	●	●	●	●	●	●	●	●				
	CABLE (IONIZATION ELECTRODE)	60001883		●	●	●	●	●	●	●	●	●	●	●	●	●	●	●	●				
	EARTH WIRE	65104286		●	●	●	●	●	●	●	●	●	●	●	●	●	●	●	●				
	FAN CABLE	60001902							●	●	●	●	●	●	●	●	●	●	●				
	FEEDER 240V	60001619		●	●	●	●	●	●	●	●	●	●	●	●	●	●	●	●				
	NTC - PRES SWITCH CABLE	65115787				●	●	●	●					●	●	●	●	●	●				
	NTC - PRES SWITCH CABLE	65115789		●	●					●	●								●				
	PUMP 1V CABLE WILO	65105081	WILO	●	●	●	●	●	●	●	●	●	●	●	●	●	●	●	●				
0881	CONNECTOR 2P	65111933		●	●	●	●	●	●	●	●	●	●	●	●	●	●	●	●				
	CONNECTOR 3P (x5)	65111934-01		●	●	●	●	●	●	●	●	●	●	●	●	●	●	●	●				
0900	JIG PLATE & PIPE FITTING																						
0903	HOT WATER CONNECTION	60000891		●	●	●	●	●	●										●				
0904	GAS SERVICE TAP	60000898		●	●	●	●	●	●	●	●	●	●	●	●	●	●	●	●				
0905	COLD WATER TAP	60000894		●	●	●	●	●	●	●	●	●	●	●	●	●	●	●	●				
0906	WATER FLOW & RETURN SERVI. TAP	60000885		●	●	●	●	●	●	●	●	●	●	●	●	●	●	●	●				
0910	WALL HOOK	60000625		●	●	●	●	●	●	●	●	●	●	●	●	●	●	●	●				
0917	SHEET GASKET D: 24-17-1.5	60061855-19		●	●	●	●	●	●	●	●	●	●	●	●	●	●	●	●				
0939	WASHER D: 18.4-12.2-1.5	60061855-14		●	●	●	●	●	●	●	●	●	●	●	●	●	●	●	●				
5000	ACCESSORIES																						
5001	BURNER JET FULL KIT (LPG)	65104582-01				●	●	●	●					●	●	●	●	●	●				
	BURNER JET FULL KIT (LPG)	65106690-01		●	●					●	●								●				
5002	BURNER JET FULL KIT (NG)	65104583-01				●	●	●	●					●	●	●	●	●	●				
	BURNER JET FULL KIT (NG)	65106691-01		●	●					●	●								●				

LIST OF THE ABBREVIATIONS

HW	: Hot water.
CW	: Cold water.
C	: Ceramic resistance (normal heating).
Ca	: Ceramic resistance (accelerated heating)
TP	: Immersion heater.
1F	: With fittings.
2F	: Without fittings.
3F	: With fittings and another outlet connection.
AMI	: With mixing valve.
SMI	: Without mixing valve.
PUISS	: Power of th appliance.
PN	: Appliance with normal pression.
LP	: Appliance with low pression.
PV	: Appliance with variable power.
PF	: Appliance with fixed power.

IDENTIFICATION PLATE

SERIAL NUMBER

10 Characters :	04 05 125 011		
		Sequential number	
		Manufacturing day	
		Year of manufacture	
11 Characters :	1 95 065004 - 31		
Month of manufacture :		Technical number of the appliance	
from 1 to 9 → Jan. to Sep.,		Sequential number	
O → Oct., N → Nov.,		Year of manufacture	
D → Dec.			
19 Characters :	08 05 0013199 900640031		
Year of manufacture		Product reference	
Month of manufacture		Sequential number	
20 Characters :	3675007 XX 2 07 070 00315		
Product reference		Sequential number	
Millenium of manufacture		Manufacturing day	
		Year of manufacture	
21 Characters :	3675007 XX 07 070 0000315		
Product reference		Sequential number	
Year of manufacture		Manufacturing day	