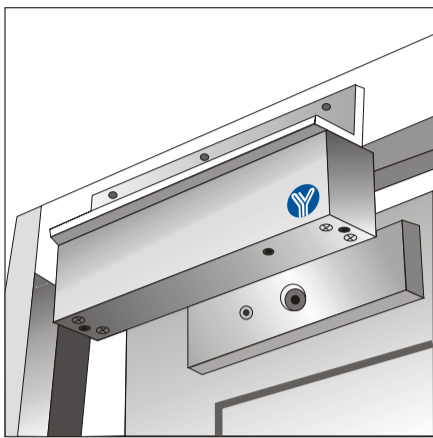




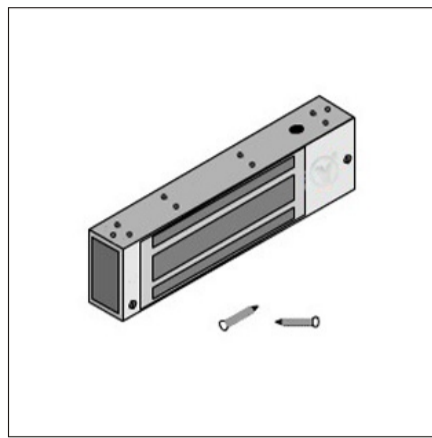
Mounted magnetic lock installation.

Installation instructions

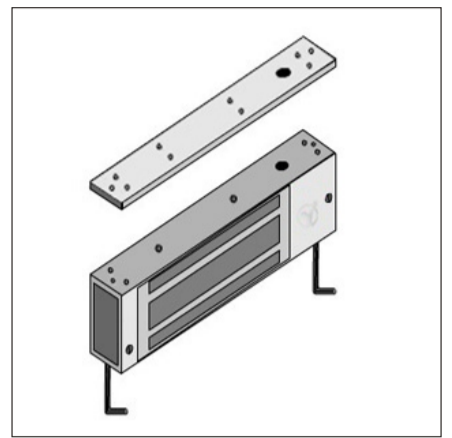
Please check the instruction about the details of installation and corresponding model. The following can only be a reference.



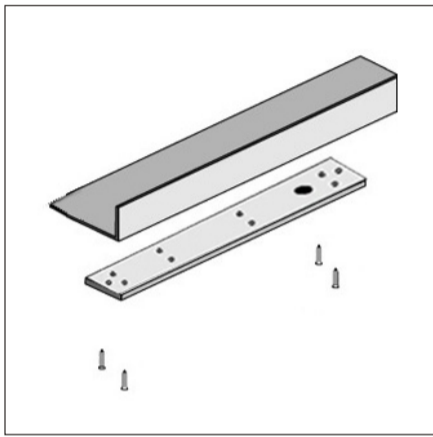
1.L-Bracket for narrow frames.



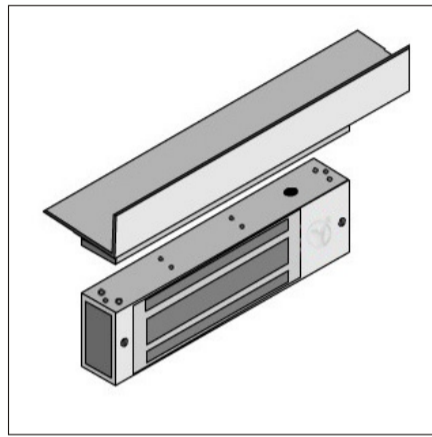
2.Unscrew the tamper screw.



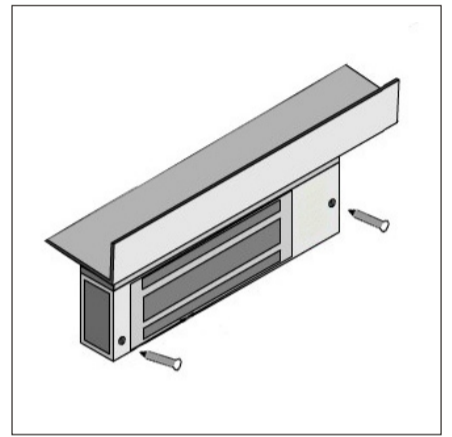
3.Remove the mounting plate from lock body.



4.Fix the mounting on the door-frame or the bracket.

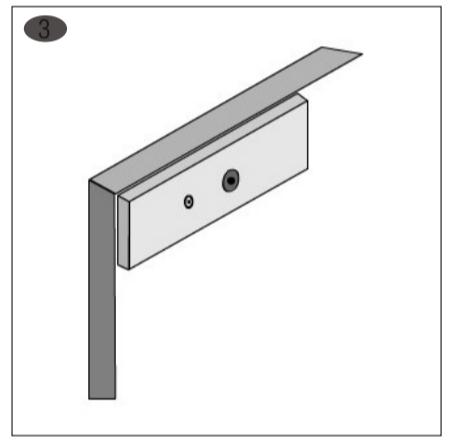
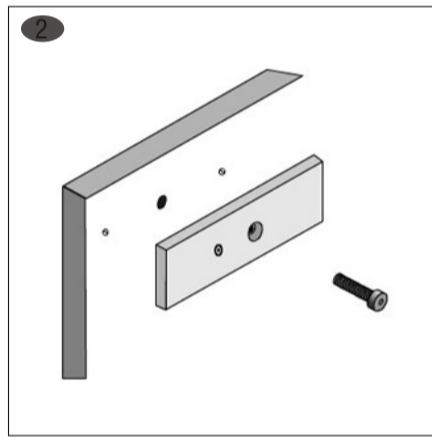
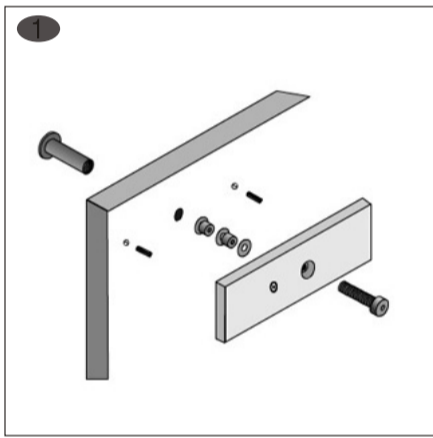


5.Fix the maglock.



6.Screw the maglock and test.

Amature plate installation

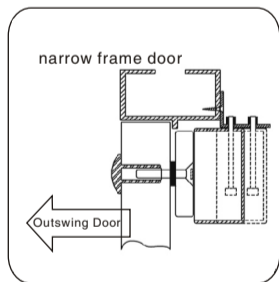


Optional bracket

Different brackets are available for different kinds of doors. For example, narrow frame door, frameless glass door, inswing door and so on.

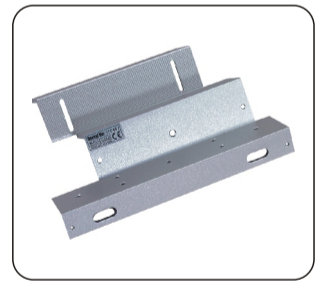
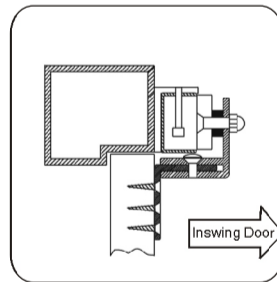
L Bracket

If the width of doorframe is lower than 42mm and there is no enough space to install the amature plate, need to use the special L bracket



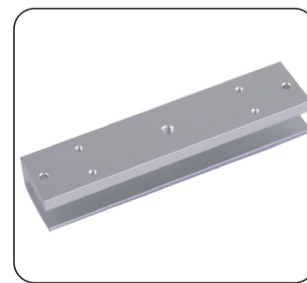
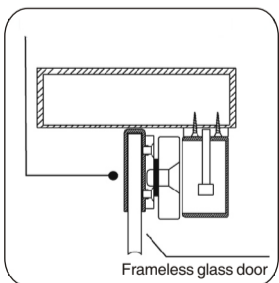
ZLBracket

For inswing door, install the lock body in the doorframe fiste and need to use the special ZL bracket.



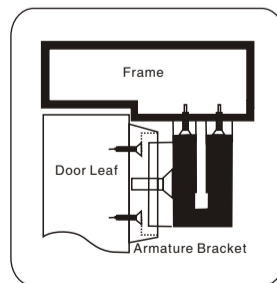
U Bracket

If it is glass door, need to use the U bracket. (suitable for 10-15mm glass door)

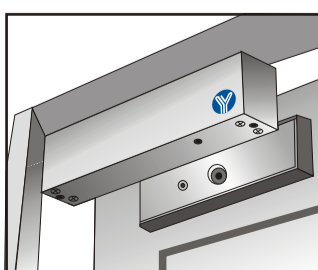


Amature plate

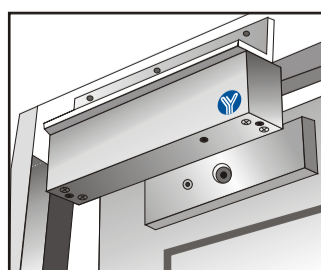
If doorframe is too thick, need to match the amature plate case.



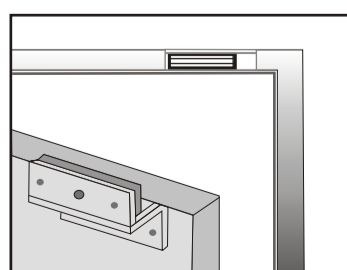
Amature plate installation



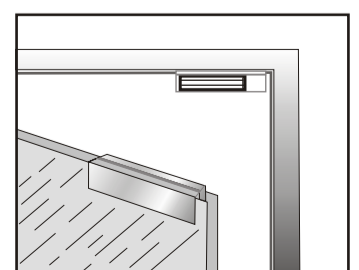
Amature plate installation



L bracket installation



ZL bracket installation



UL bracket installation